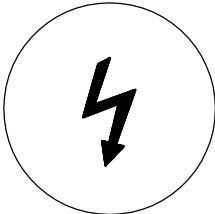

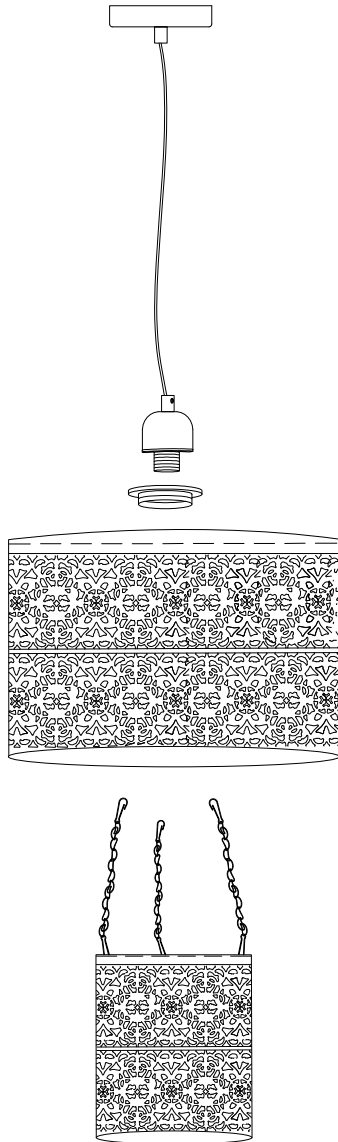
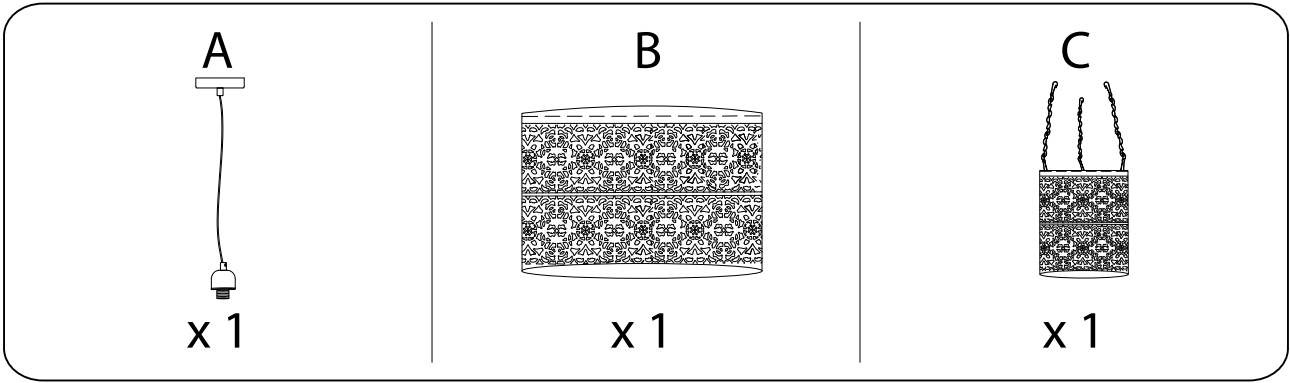
	5'
		
		1

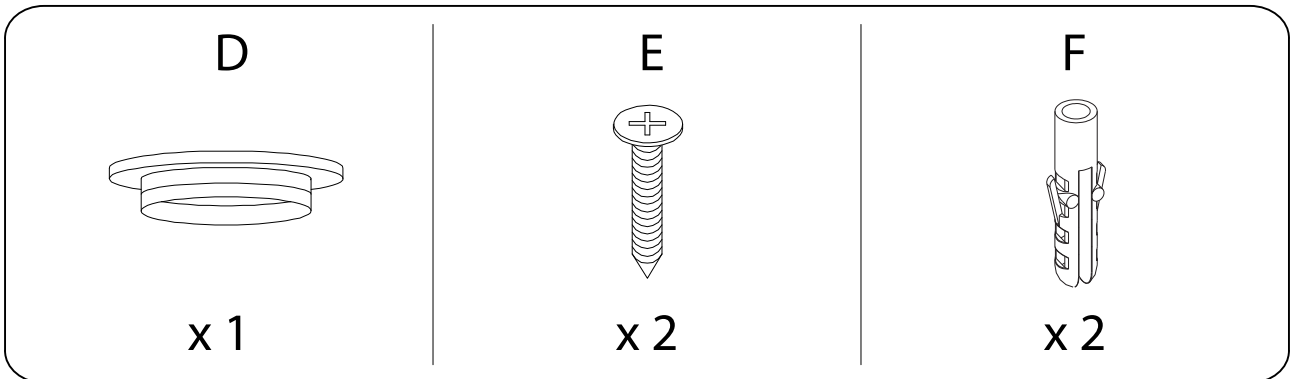


A x 1

D x 1

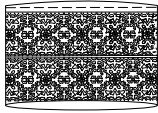
B x 1

C x 1



1

B

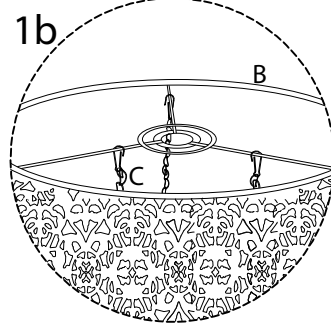
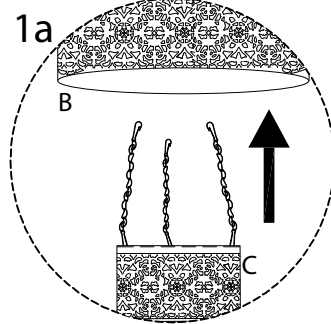
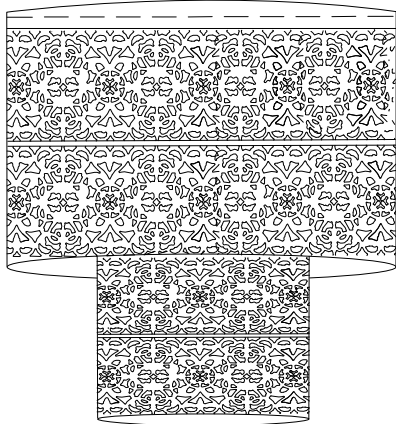


x 1

C



x 1



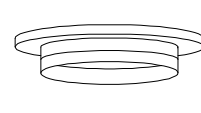
2

A

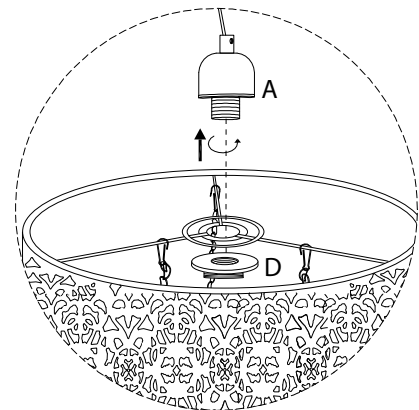
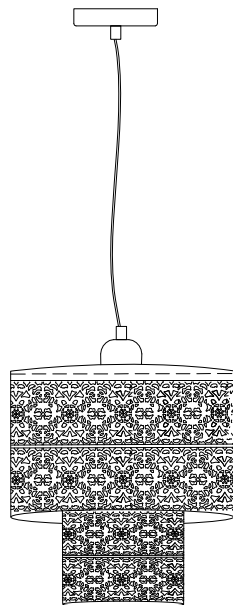


x 1

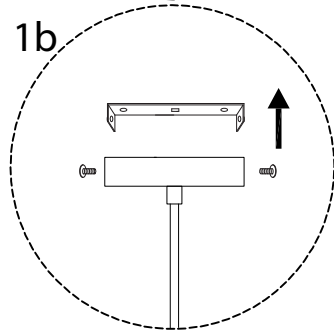
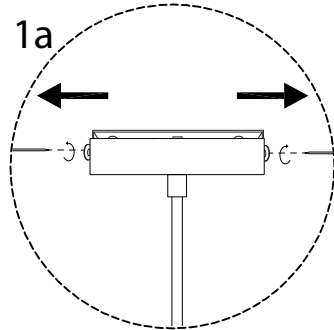
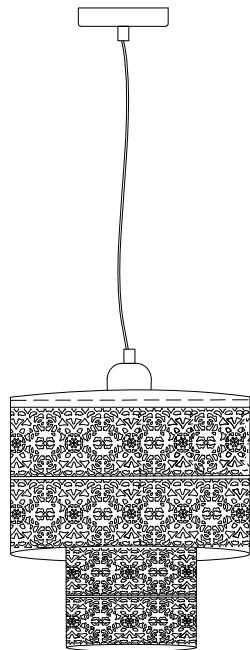
D



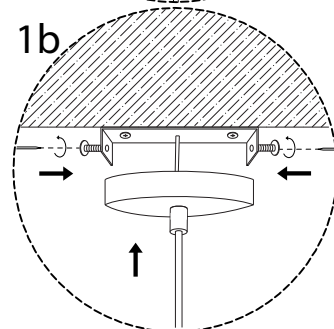
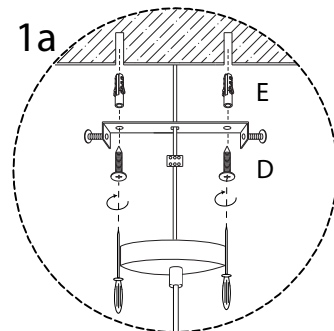
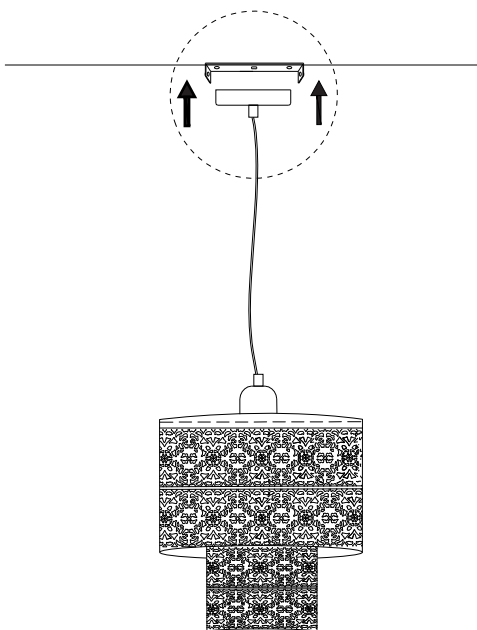
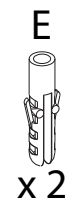
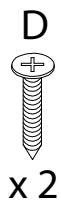
x 1



3



4



5

