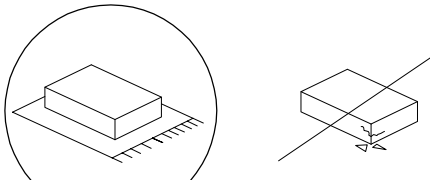


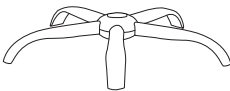
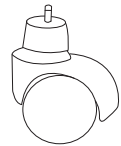

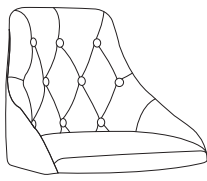
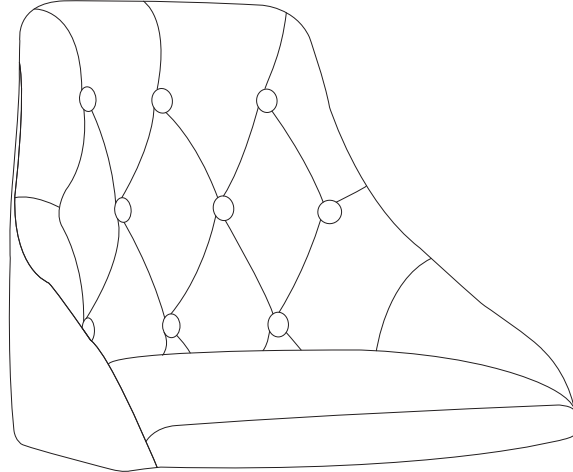
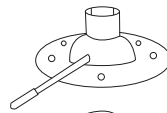

		<b>30'</b>
		
		<b>1</b>

<b>A</b>	<b>B</b>	<b>C</b>	<b>D</b>
			
<b>x 1</b>	<b>x 5</b>	<b>x 1</b>	<b>x 1</b>



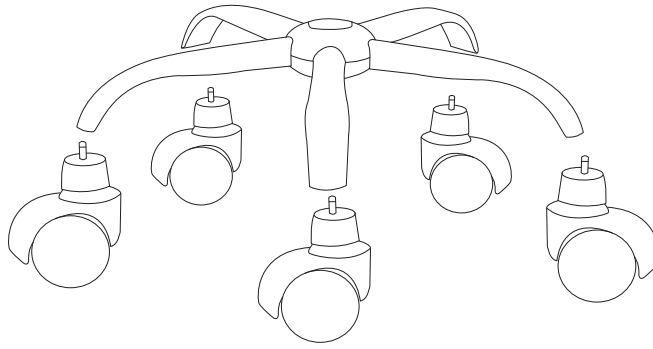
**D x 1**



**E x 1**

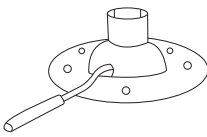
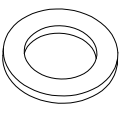
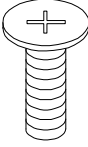
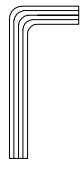


**C x 1**



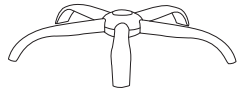
**A x 1**

**B x 5**

<b>E</b>	<b>F</b>	<b>G</b>	<b>H</b>
		 M6 x 16	
<b>x 1</b>	<b>x 4</b>	<b>x 4</b>	<b>x 1</b>

1

A

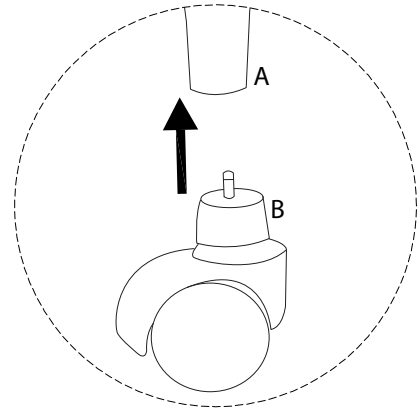
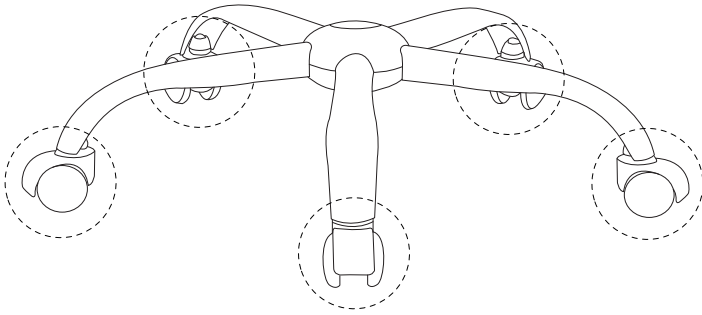


x 1

B



x 5



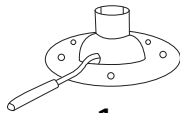
2

D



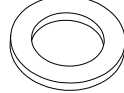
x 1

E



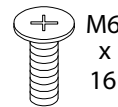
x 1

F



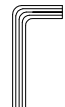
x 4

G

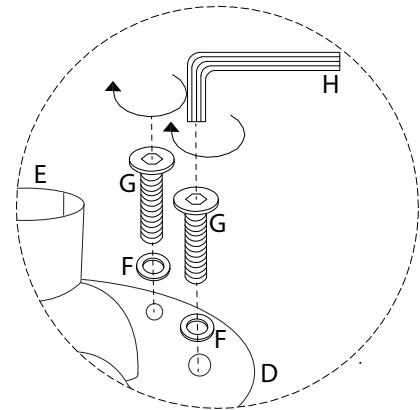
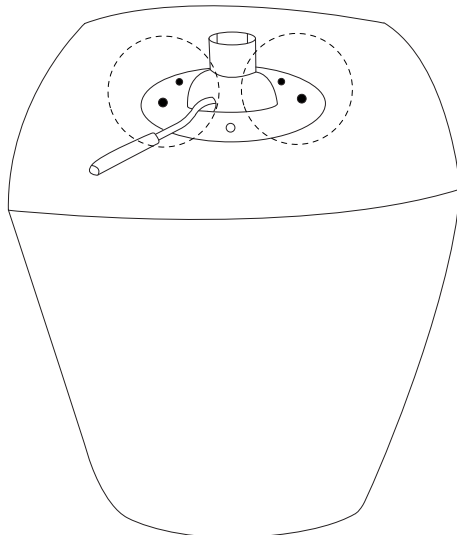


x 4

H



x 1



3

C



x1

