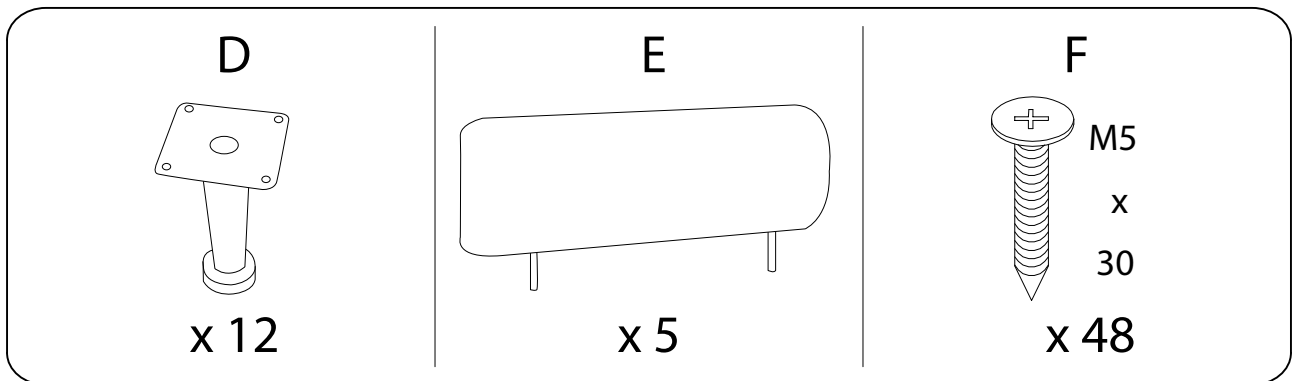
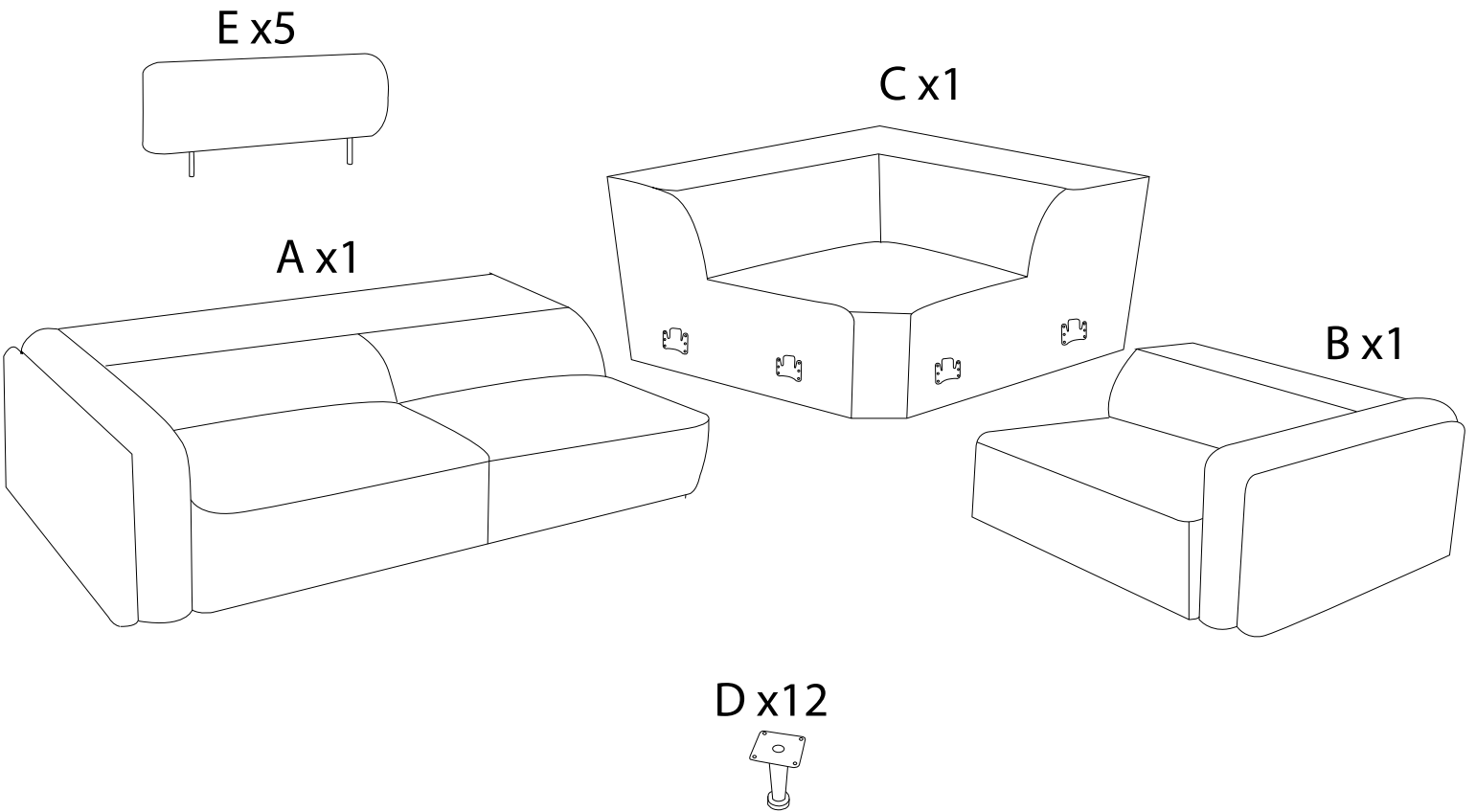
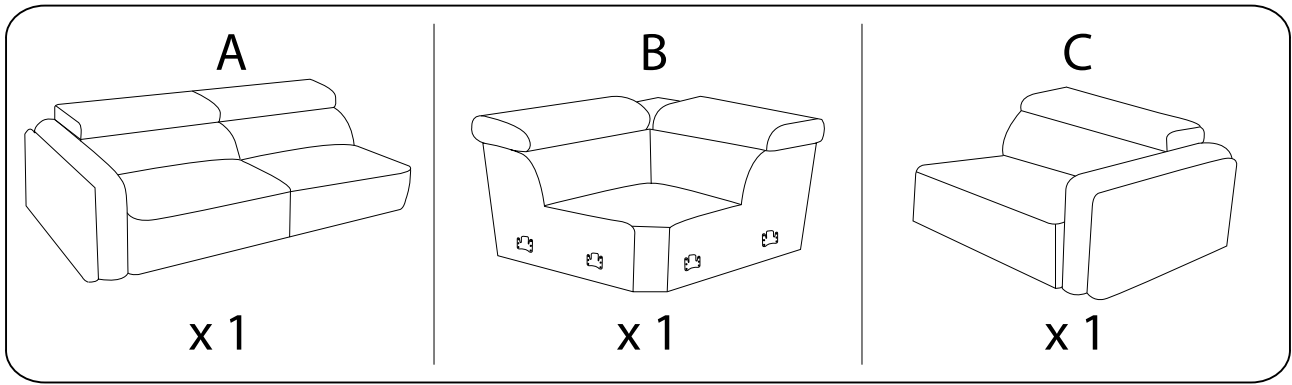
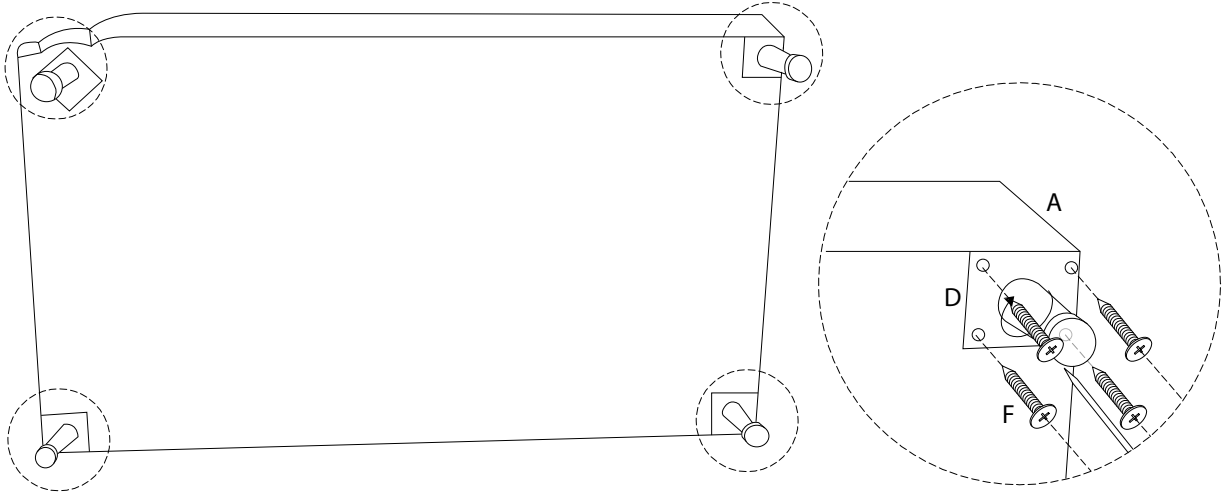
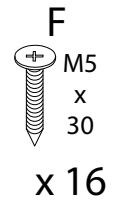
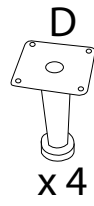
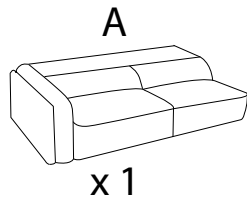


Assembly instructions for step 1/5:

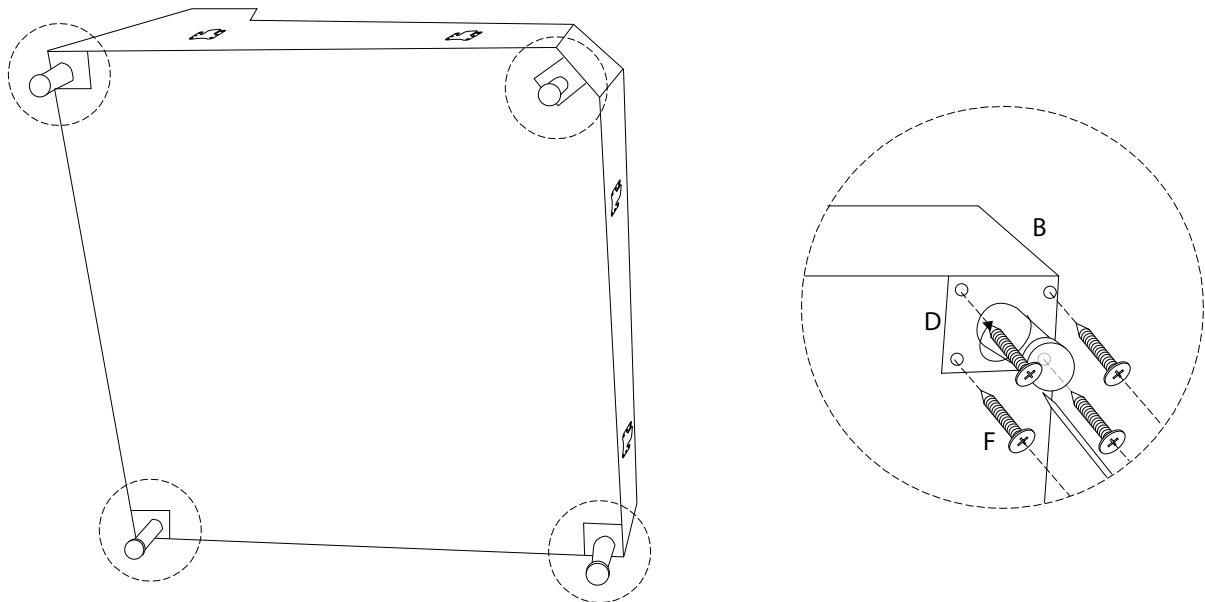
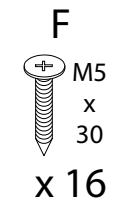
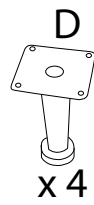
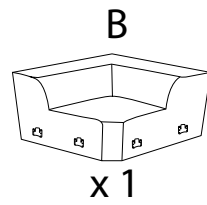
- Tools:** A screwdriver is shown as the required tool. A power drill is shown with a diagonal line through it, indicating it is not to be used.
- Warning:** A triangle with an exclamation mark indicates a warning.
- Time:** A clock icon indicates that this step takes 30 minutes.
- Personnel:** A person icon indicates that one person is required for this step.



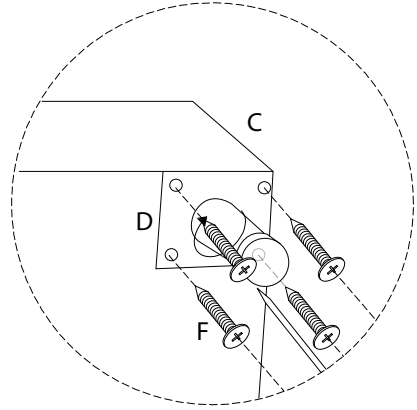
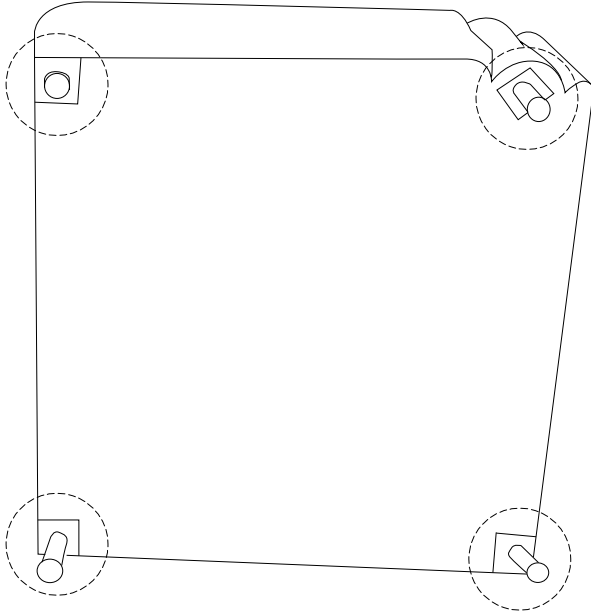
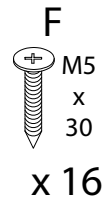
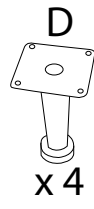
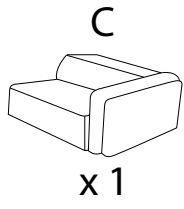
1



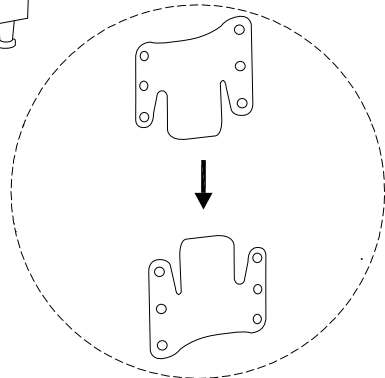
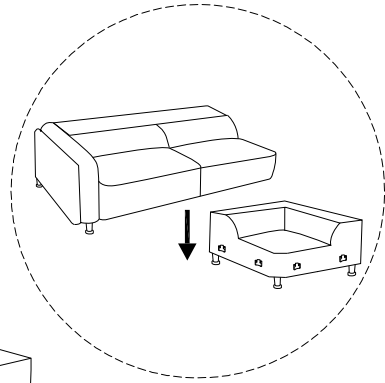
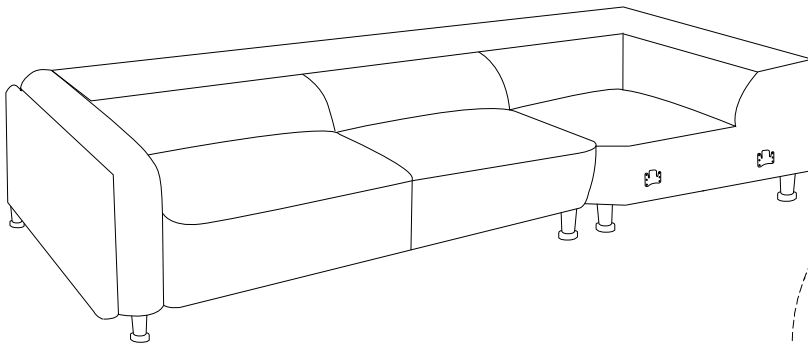
2



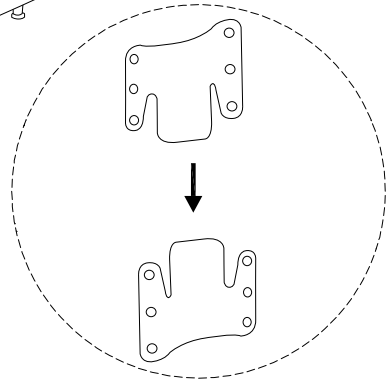
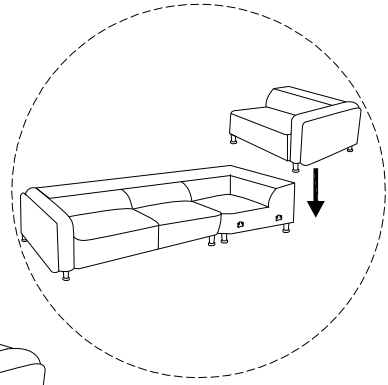
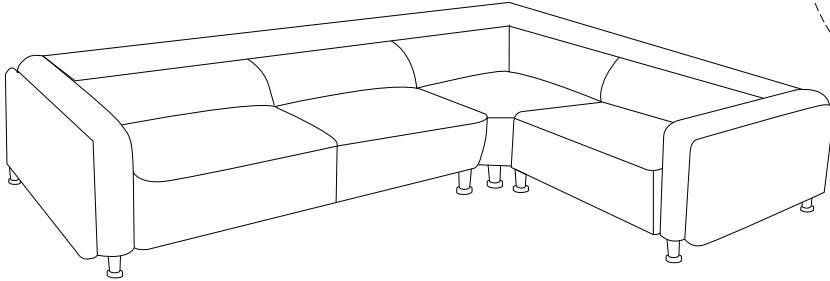
3



4



5



6

