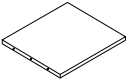



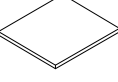


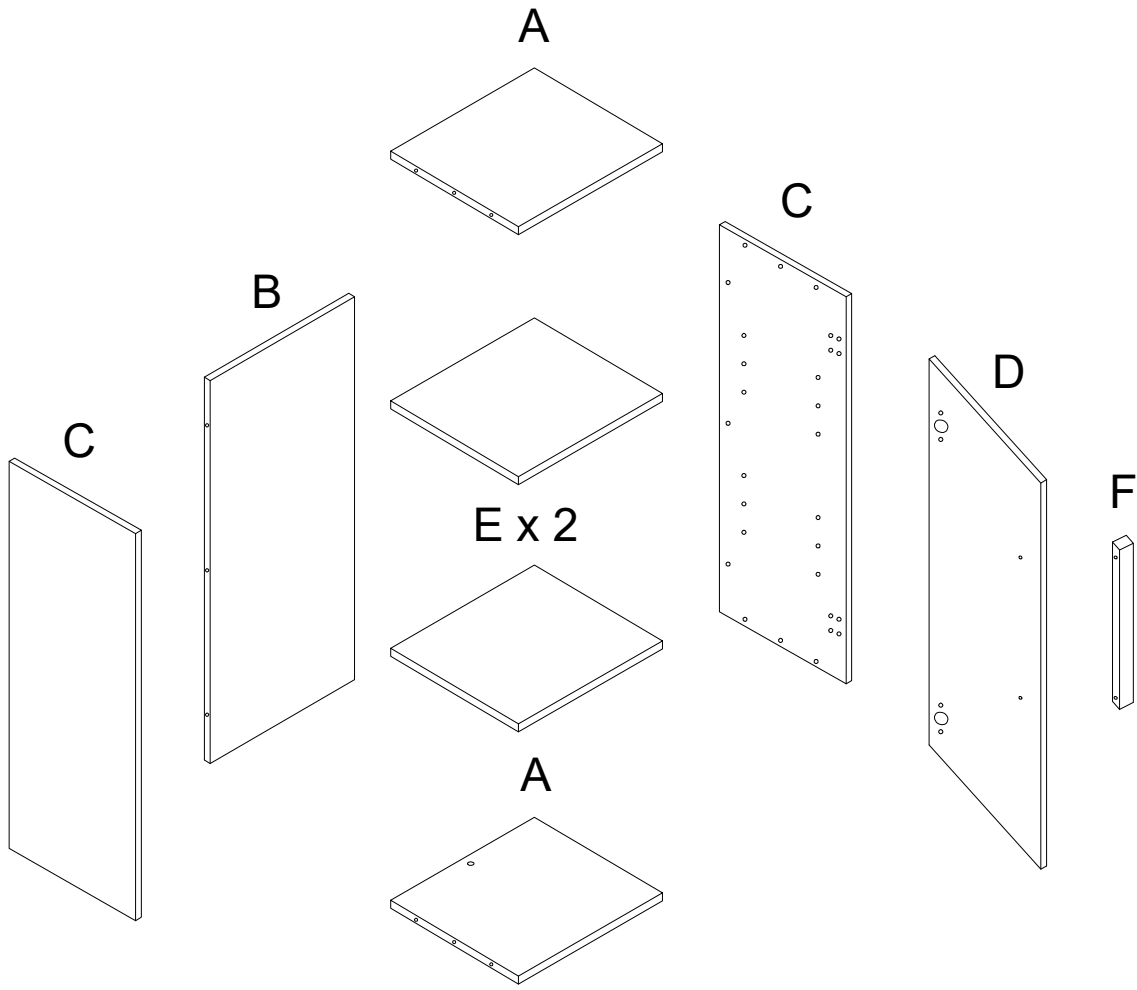



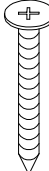
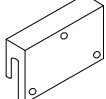
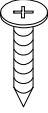
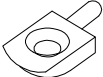
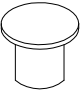


Diagram illustrating the required tools and safety warnings for the assembly step:

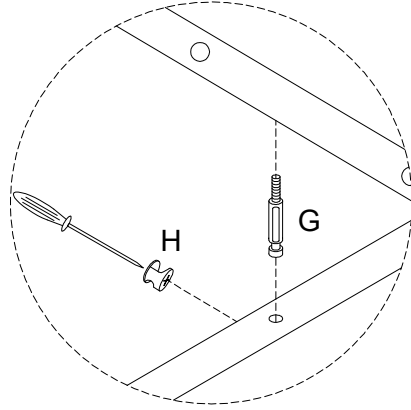
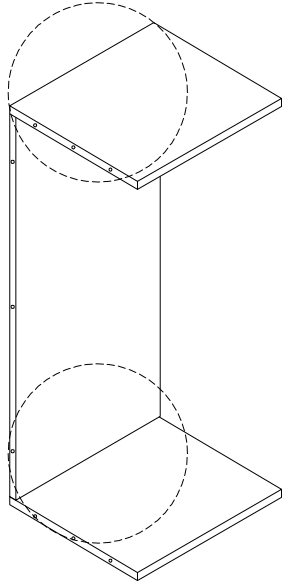
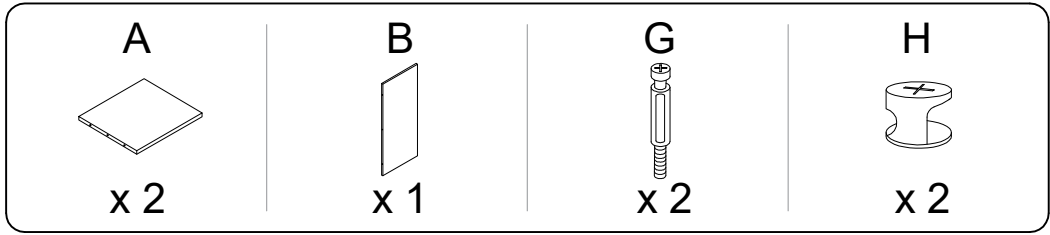
- Top section: A circular icon containing a screwdriver, with a warning triangle (exclamation mark) to its right.
- Bottom section: A circular icon containing a power drill, with a warning triangle (exclamation mark) to its right.
- Timing: A clock icon with the text "30'" below it, indicating a 30-minute duration.
- Personnel: A person icon with the number "1" below it, indicating that one person is required for the task.

A  x 2	B  x 1	C  x 2	D  x 1	E  x 2	F  x 1	G  x 14
--	--	--	--	---	--	---

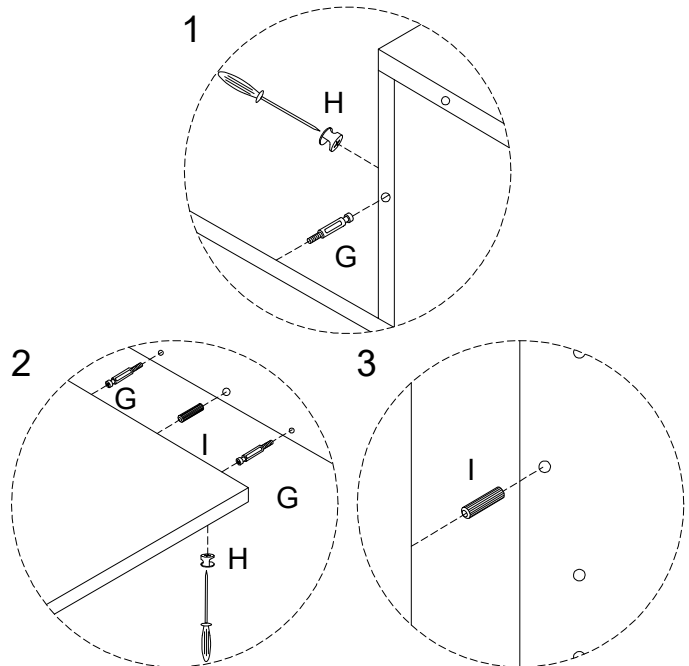
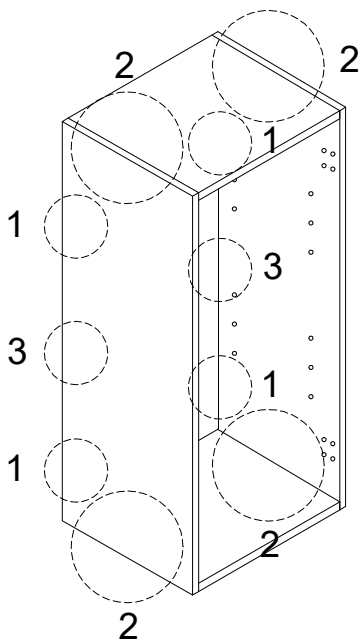
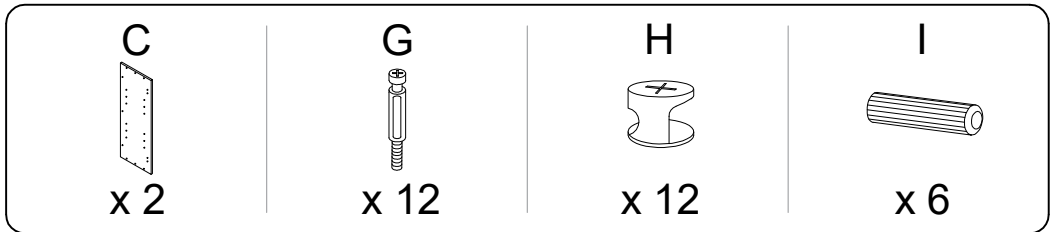


H  x 14	I  x 6	J  x 2	K  4 x 24 x 2	L  x 4	M  3.5 x 14 x 18	N  x 8	O  x 16
---	--	--	--	--	--	--	---

1

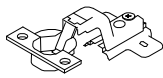


2



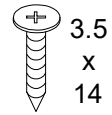
3

J

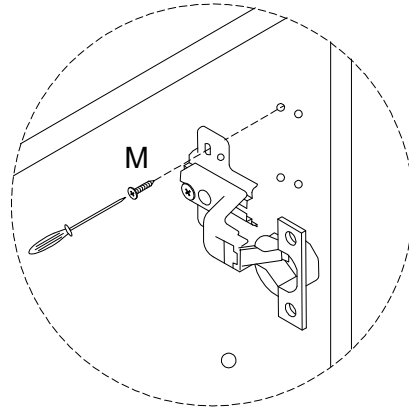
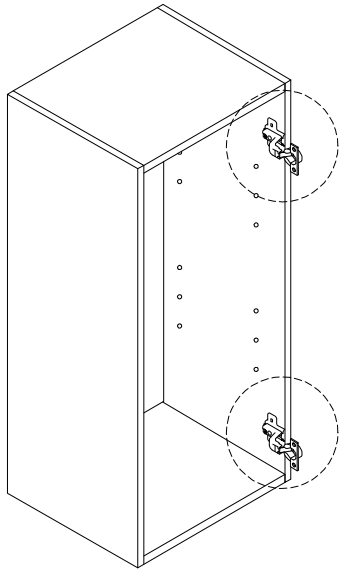


x 2

M

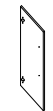


x 8



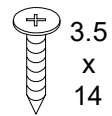
4

D

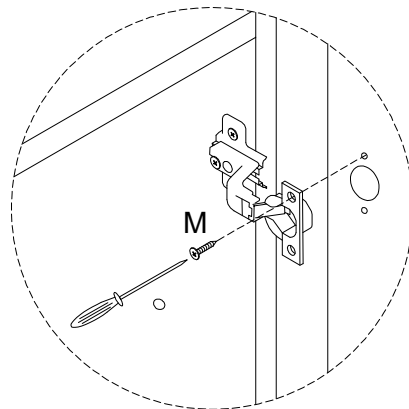
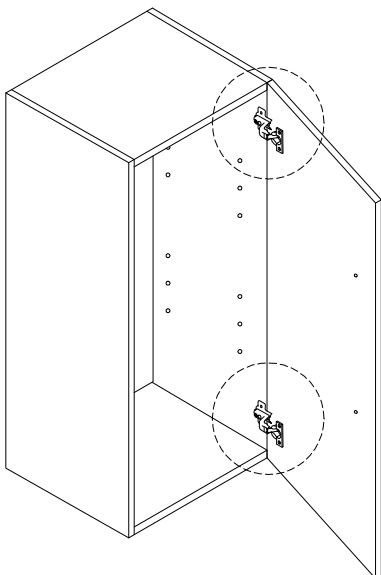


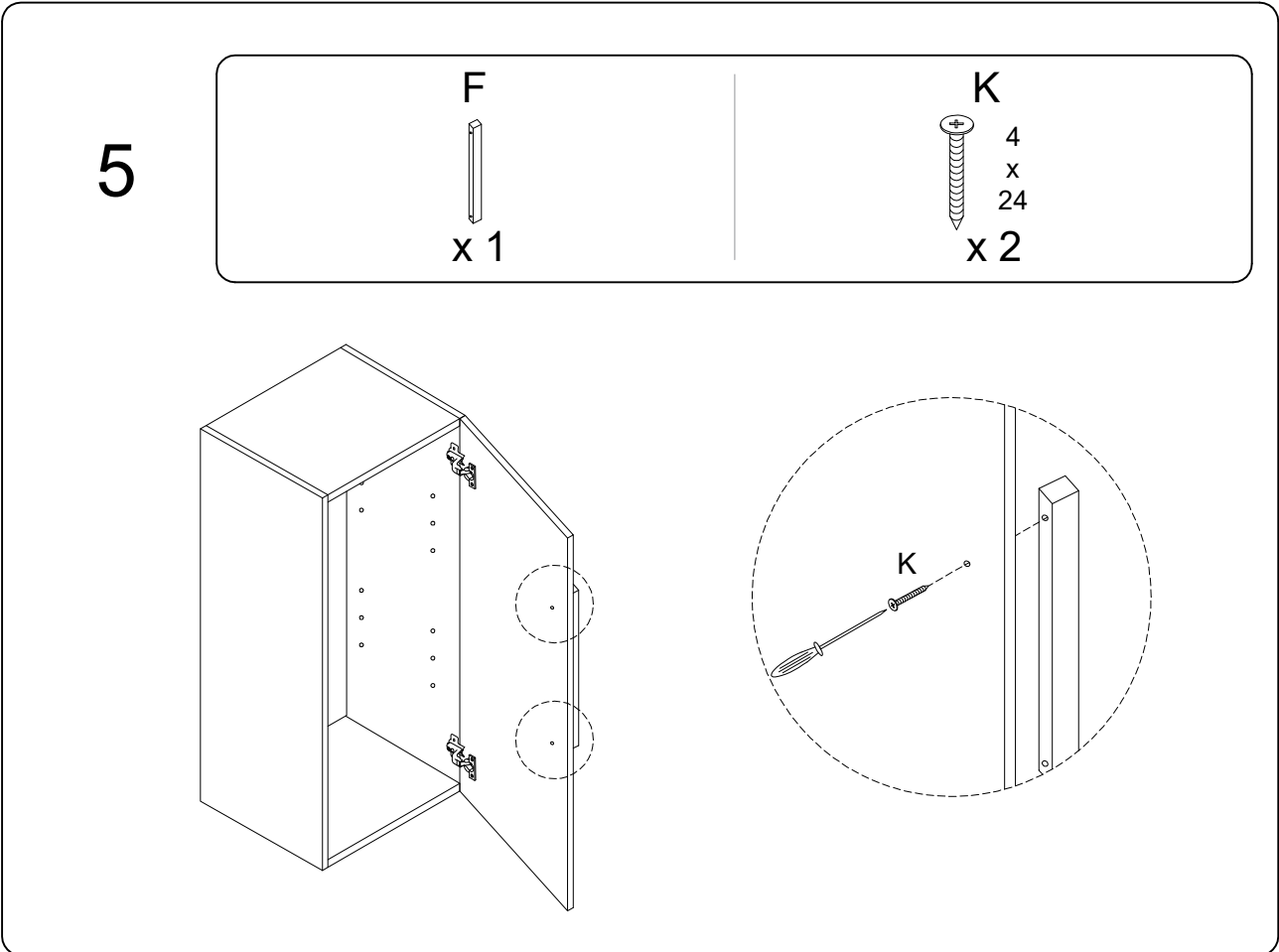
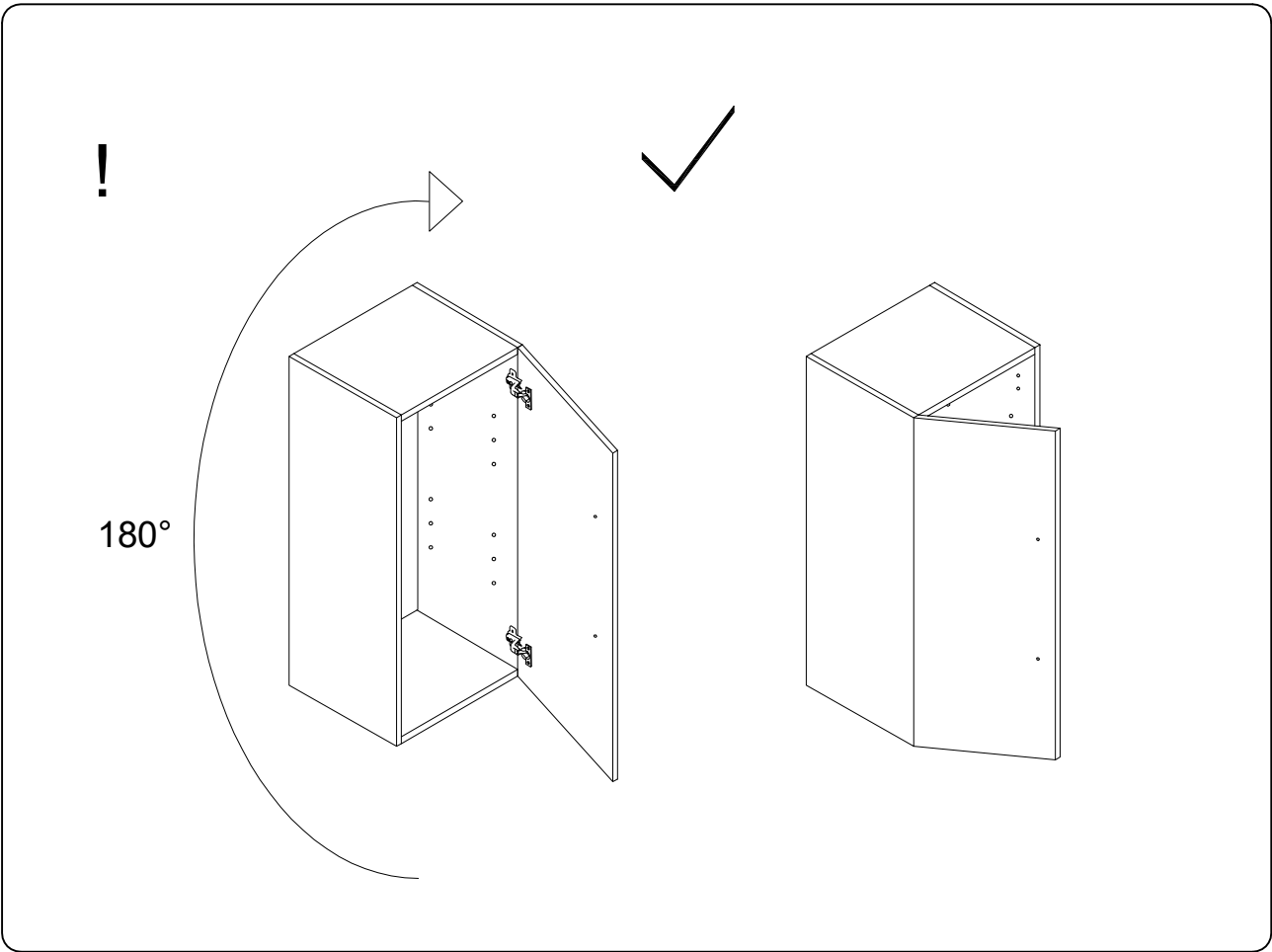
x 1

M



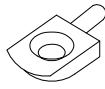
x 4





6

N

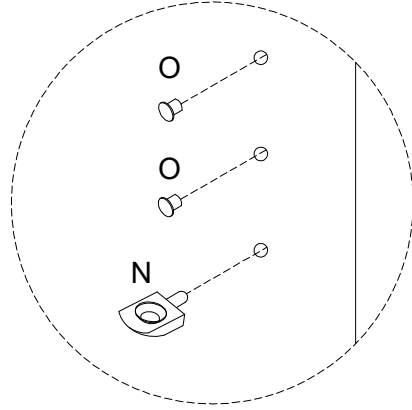
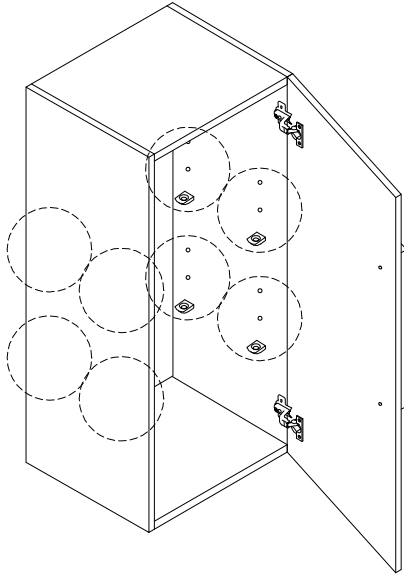


x 8

O

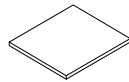


x 16

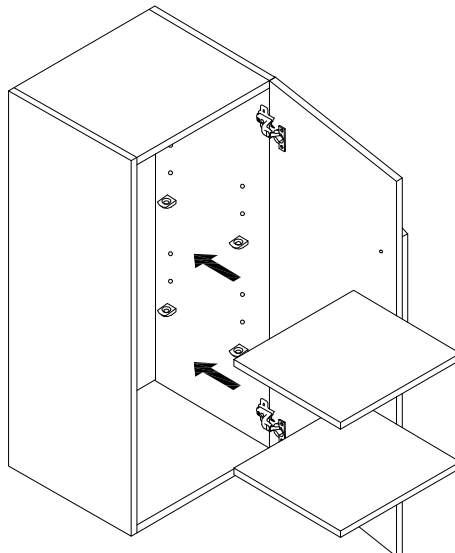


7

E



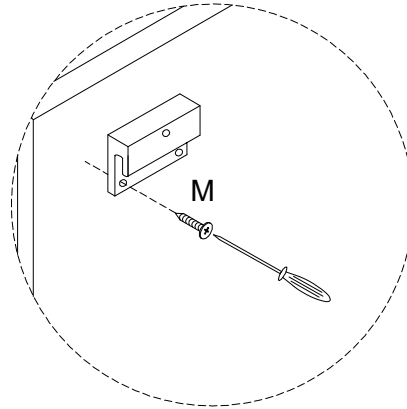
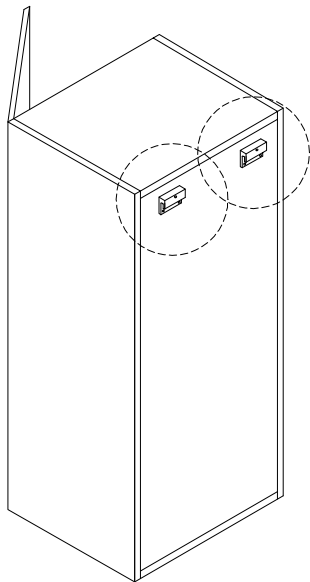
x 2



8

M
3.5
x
14
x 6

L
x 2



9

L
x 2

