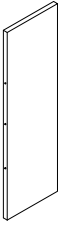

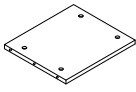

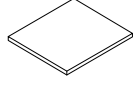
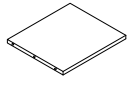


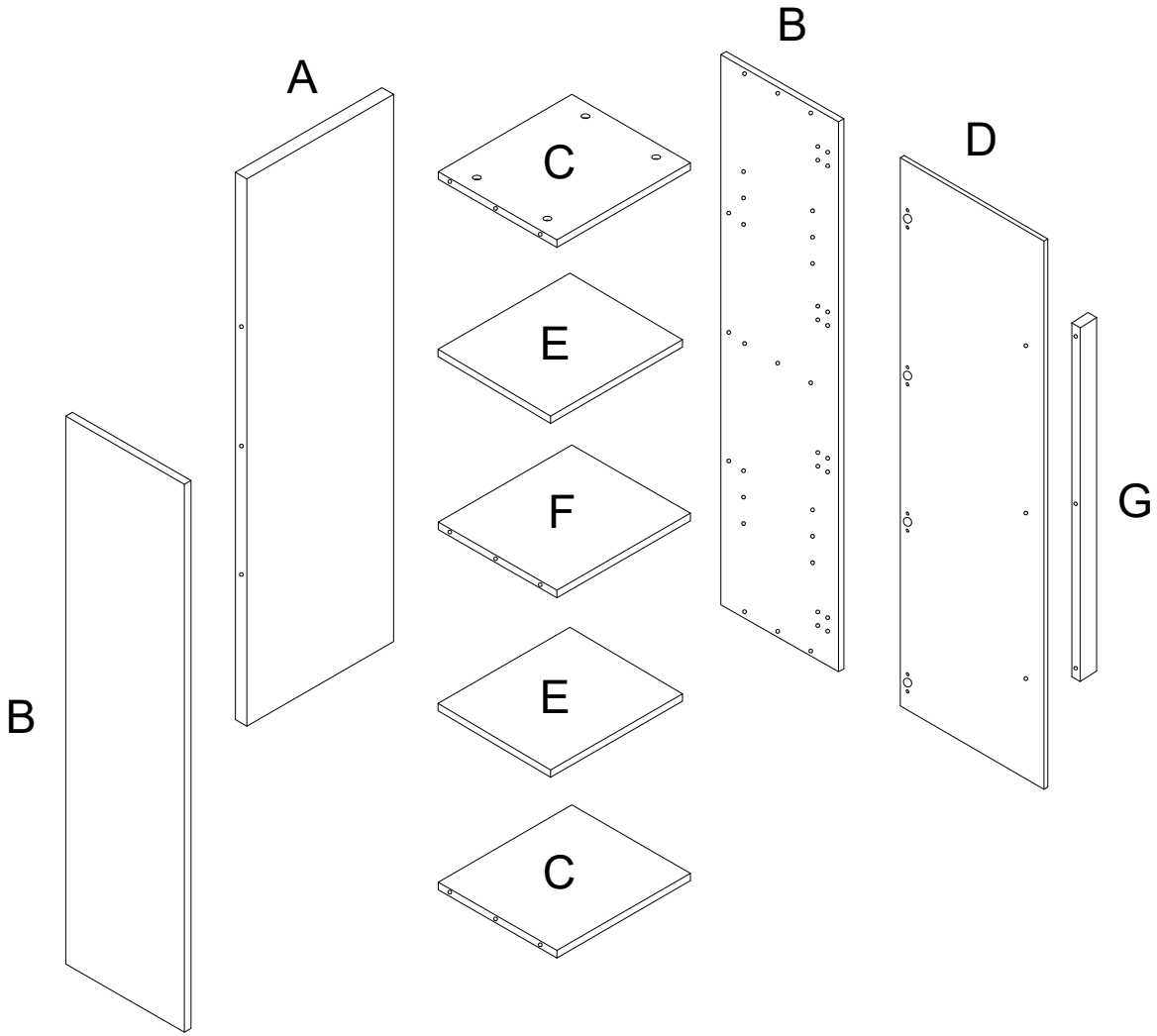



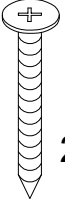
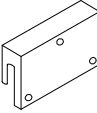
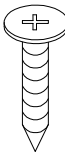
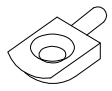
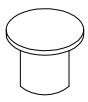


Diagram illustrating the required tools and safety warnings for the assembly step:

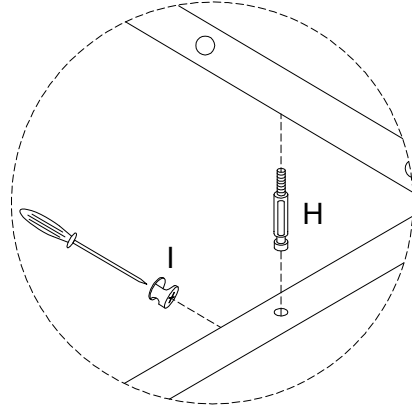
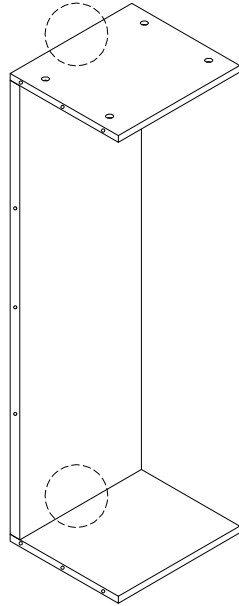
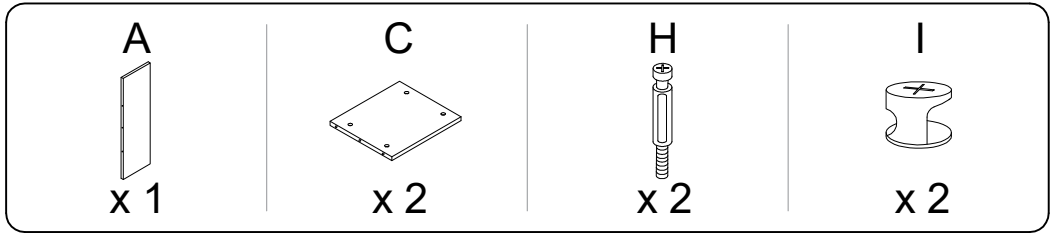
- Tools:** A screwdriver and a power drill are shown in circular icons, indicating the tools needed for this step.
- Warnings:** Two triangular warning symbols (exclamation marks) are present, indicating safety precautions.
- Time:** A clock icon with the text "30'" indicates that this step should take approximately 30 minutes.
- Personnel:** A person icon with the number "1" below it indicates that one person is required for this step.

<b>A</b>  x 1	<b>B</b>  x 2	<b>C</b>  x 2	<b>D</b>  x 1	<b>E</b>  x 2	<b>F</b>  x 1	<b>G</b>  x 1	<b>H</b>  x 18
--	--	--	--	--	---	--	---

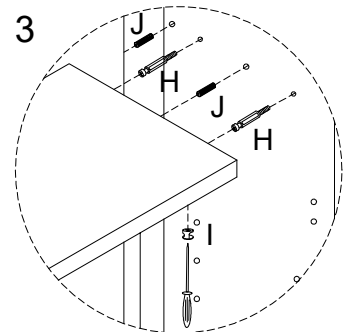
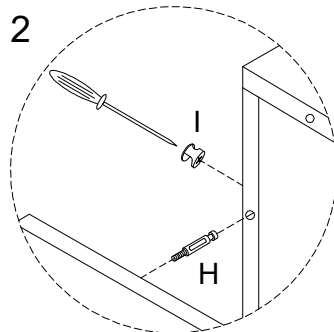
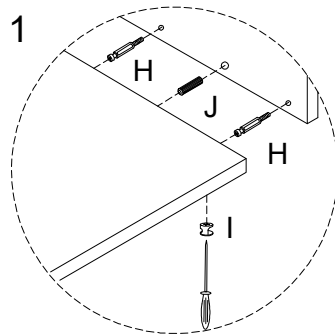
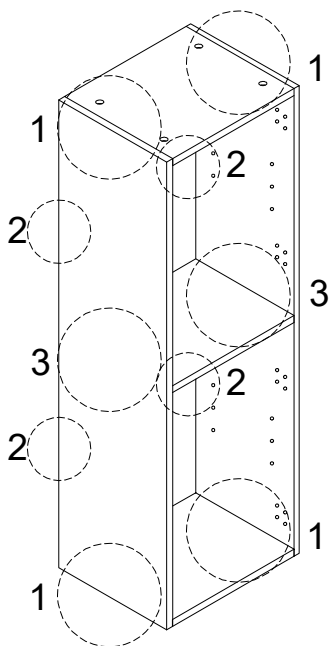
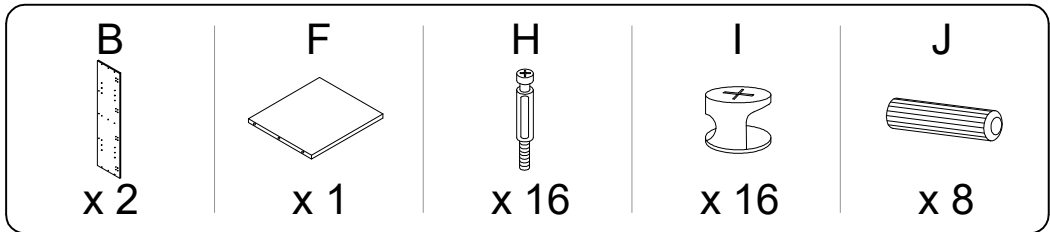


<b>I</b>  x 18	<b>J</b>  x 8	<b>K</b>  x 4	<b>L</b>  4 x 24 x 3	<b>M</b>  x 4	<b>N</b>  3.5 x 14 x 30	<b>O</b>  x 8	<b>P</b>  x 16
---	--	--	--	--	--	--	---

1

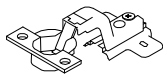


2



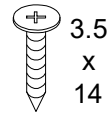
3

K

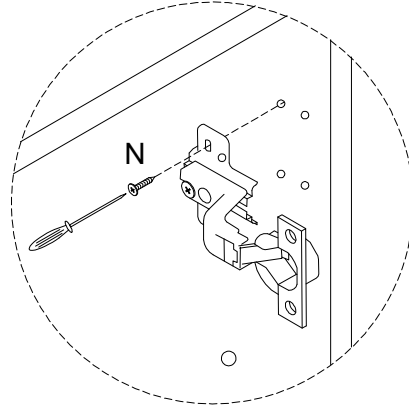
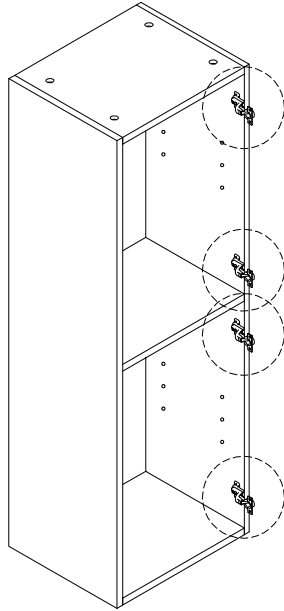


x 4

N



x 16



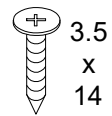
4

D

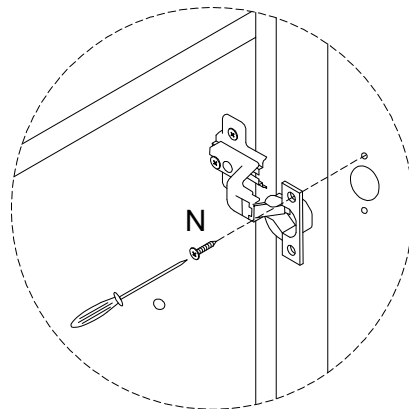
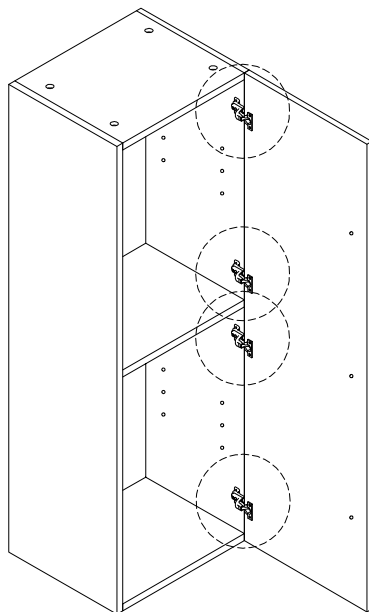


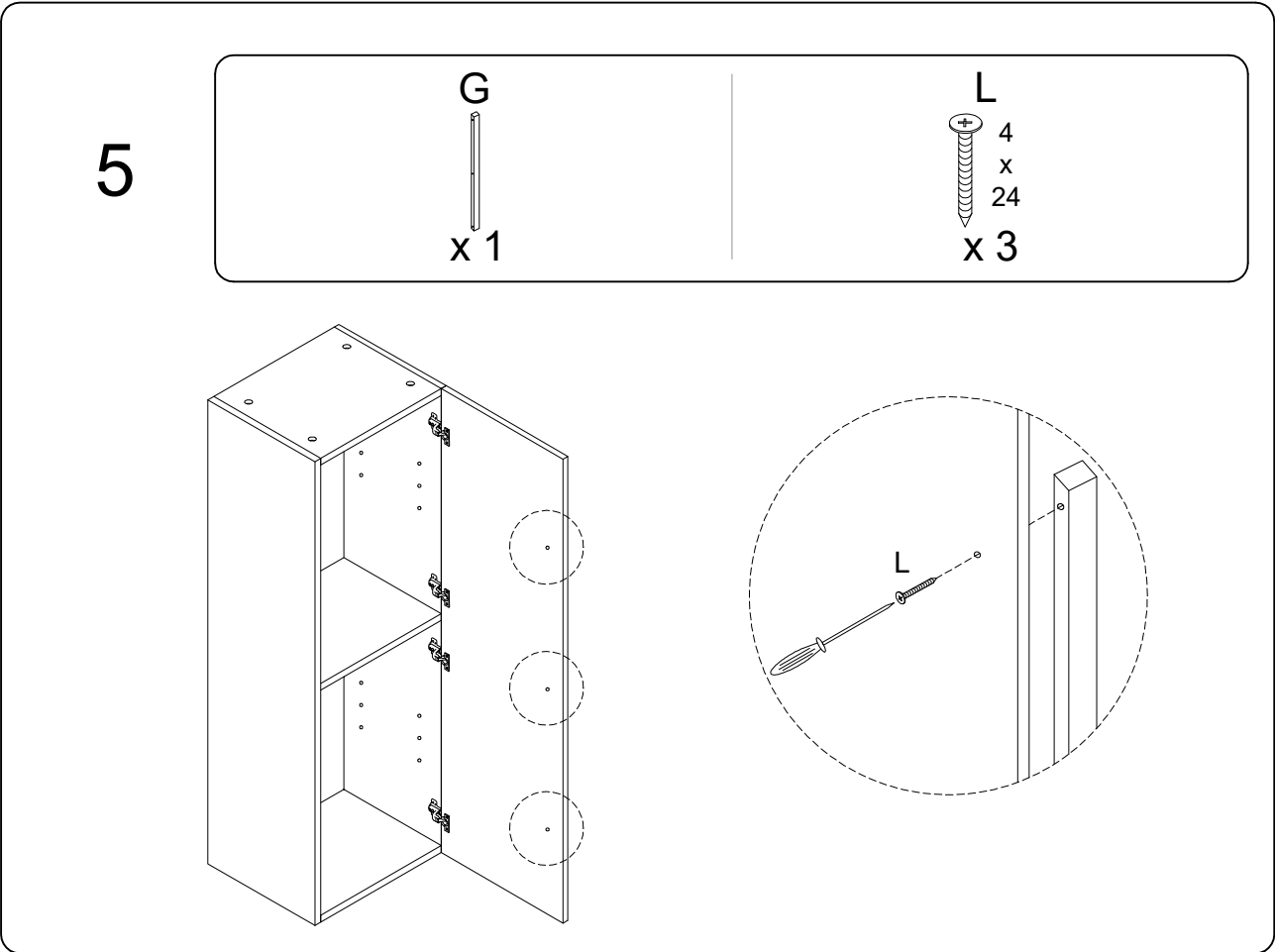
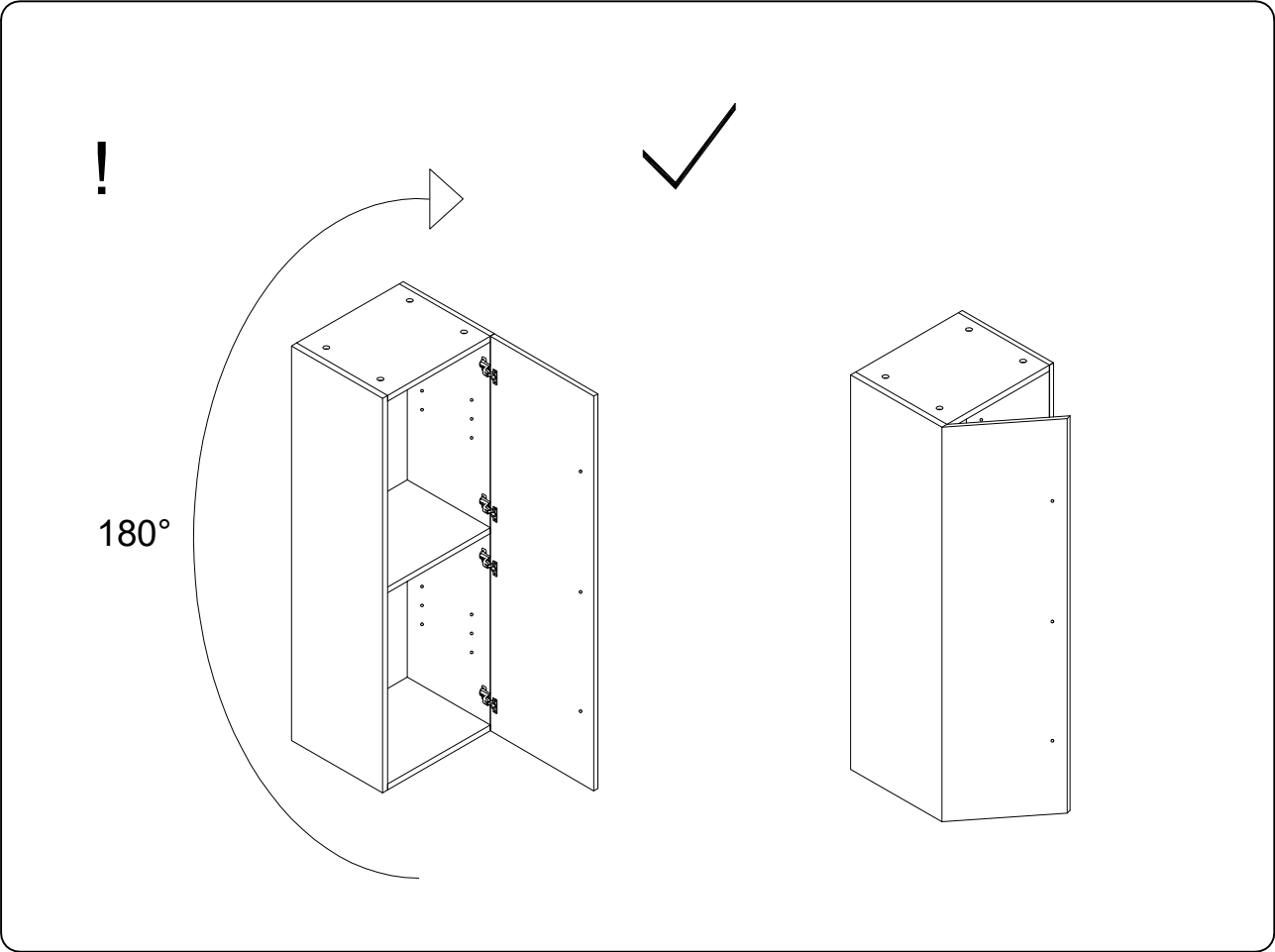
x 1

N

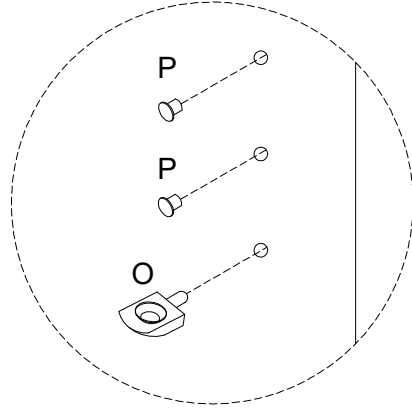
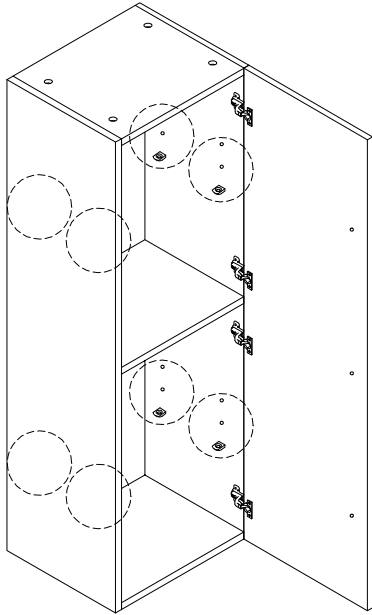
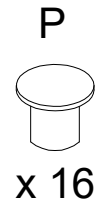


x 8

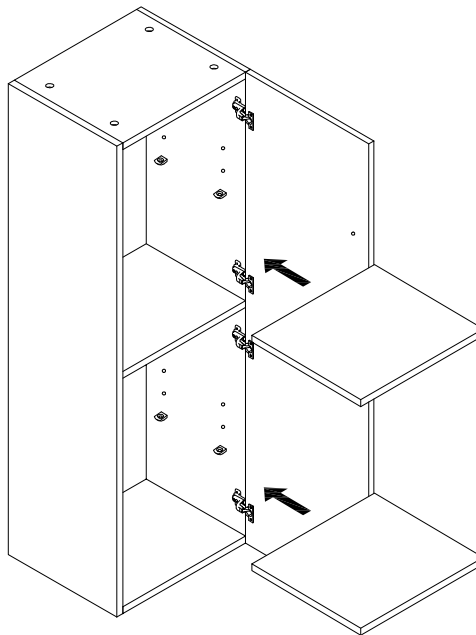
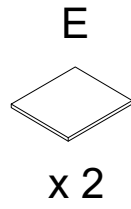




6

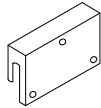


7



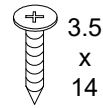
8

M

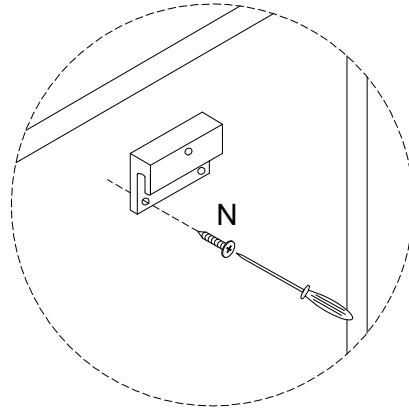
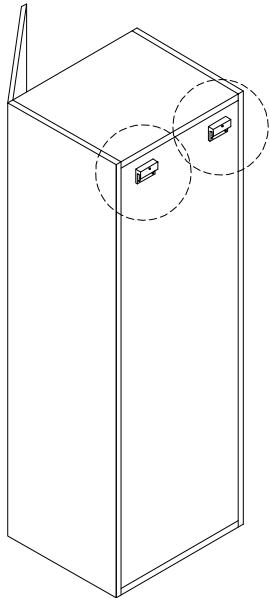


x 2

N

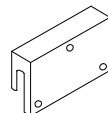


x 6



9

M



x 2

