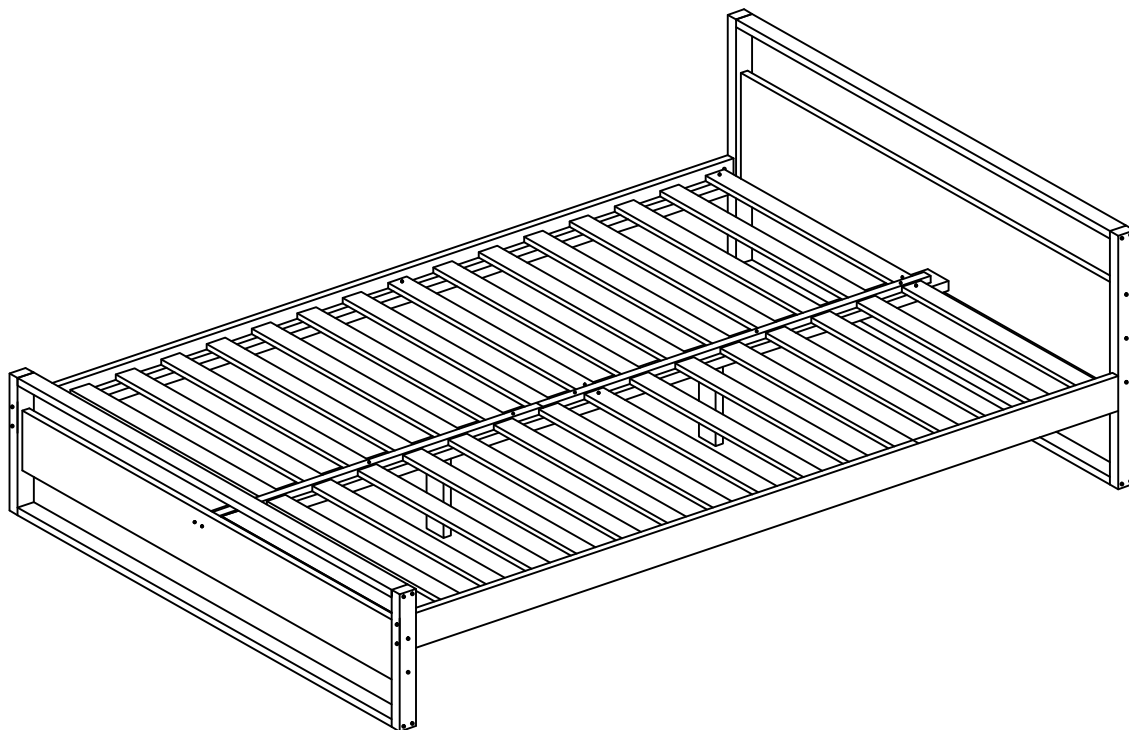

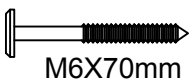

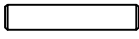
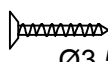
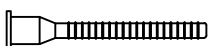
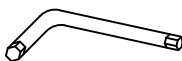







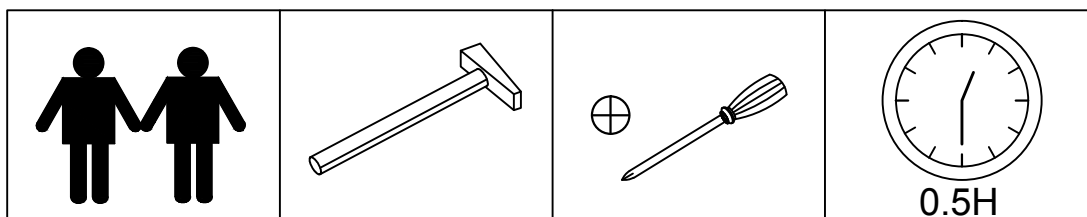
Assembly instruction

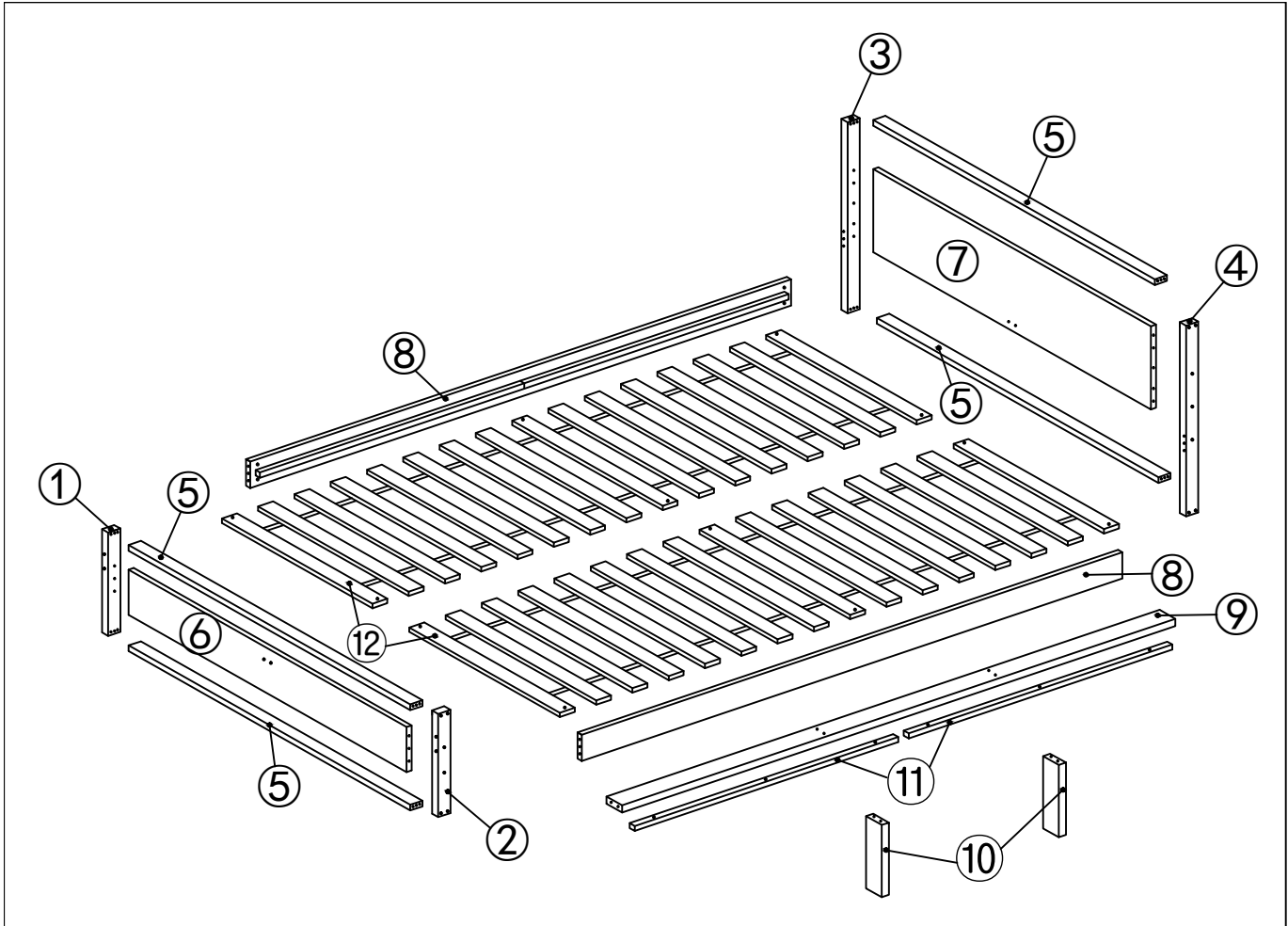


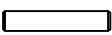
HARDWARE

A	  M6X70mm	26
B		34
C	 Ø8X30mm	18
D	 Ø3.5X25mm	18
E	 Ø7x50mm	8

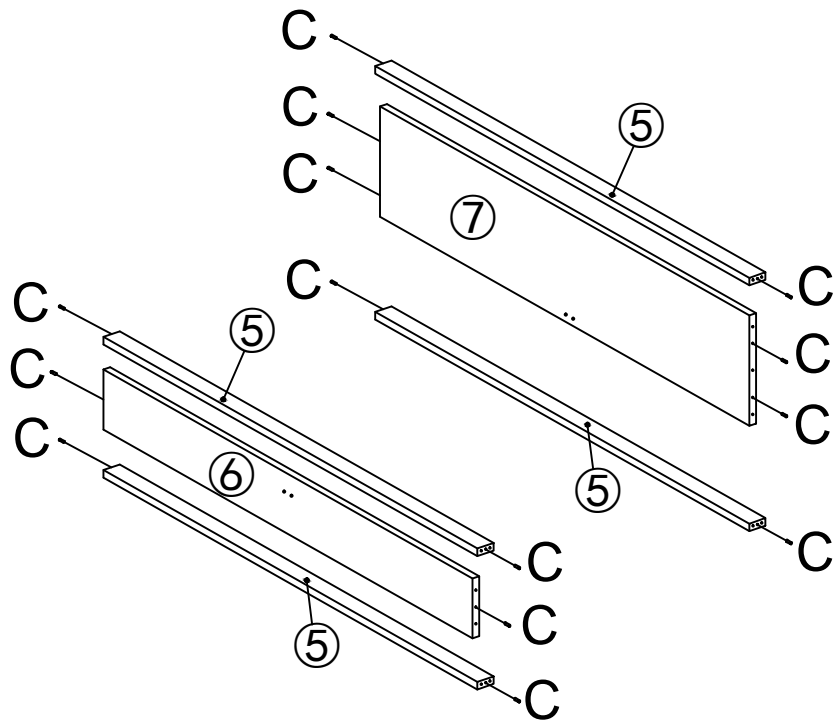
F		1
G	  M6X110mm	8
H	  Hole sticks	34
I		4

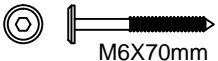

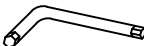




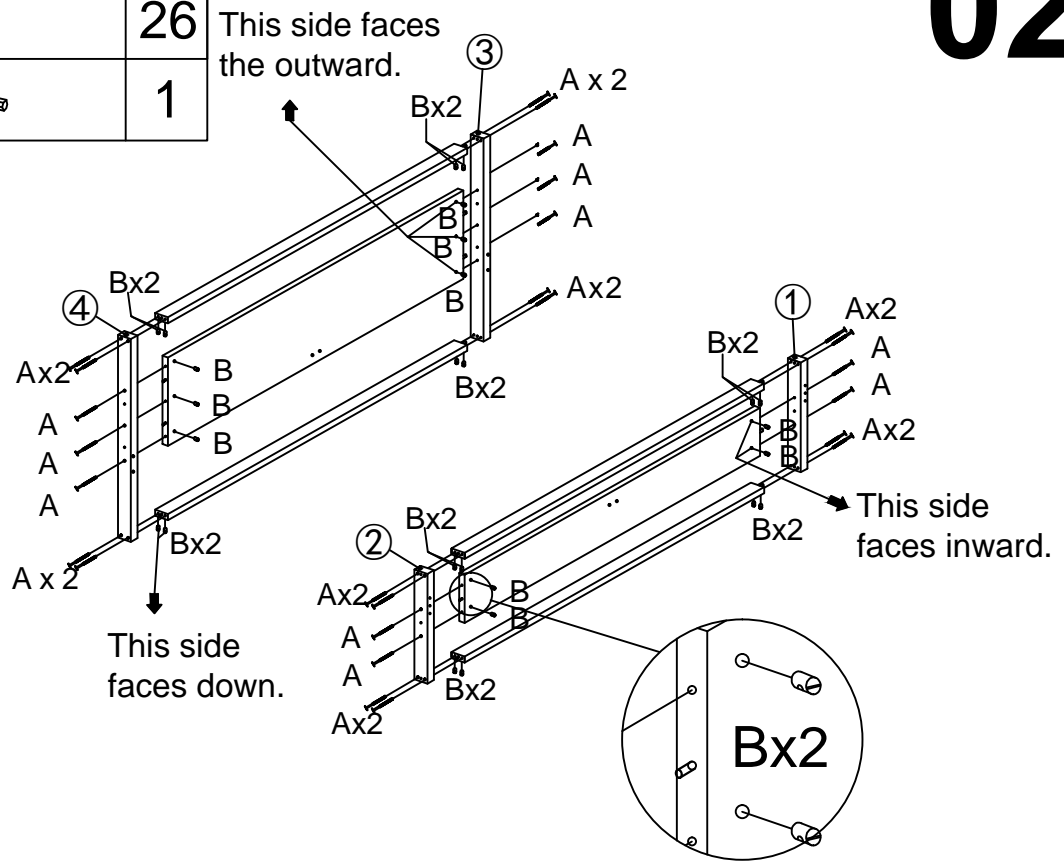
C	 Ø8X30mm	14
---	---	----

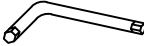
01



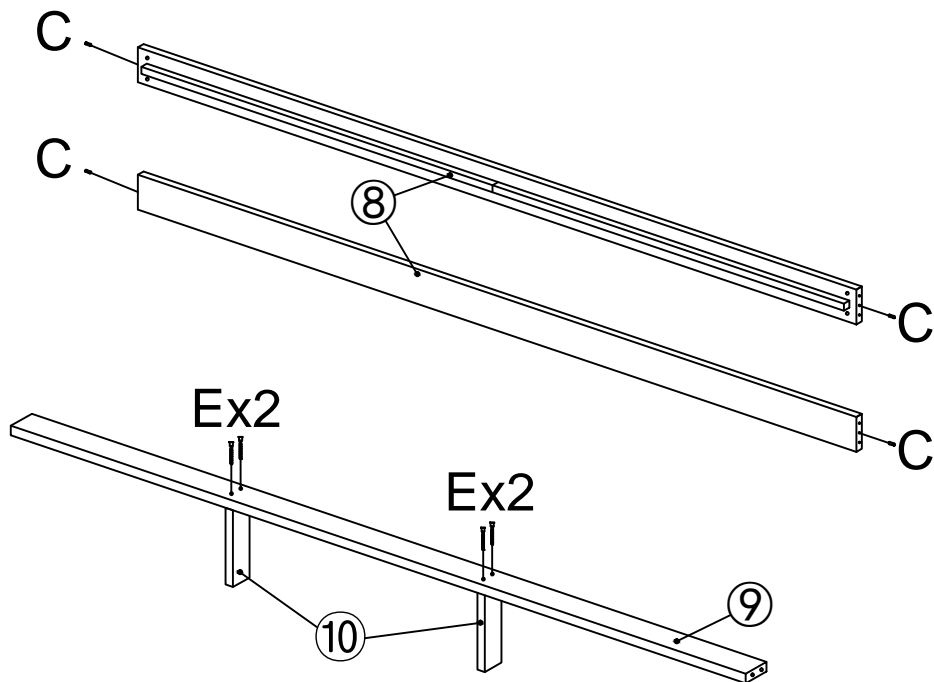
A	 M6X70mm	26
B		26
F		1




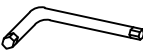
02



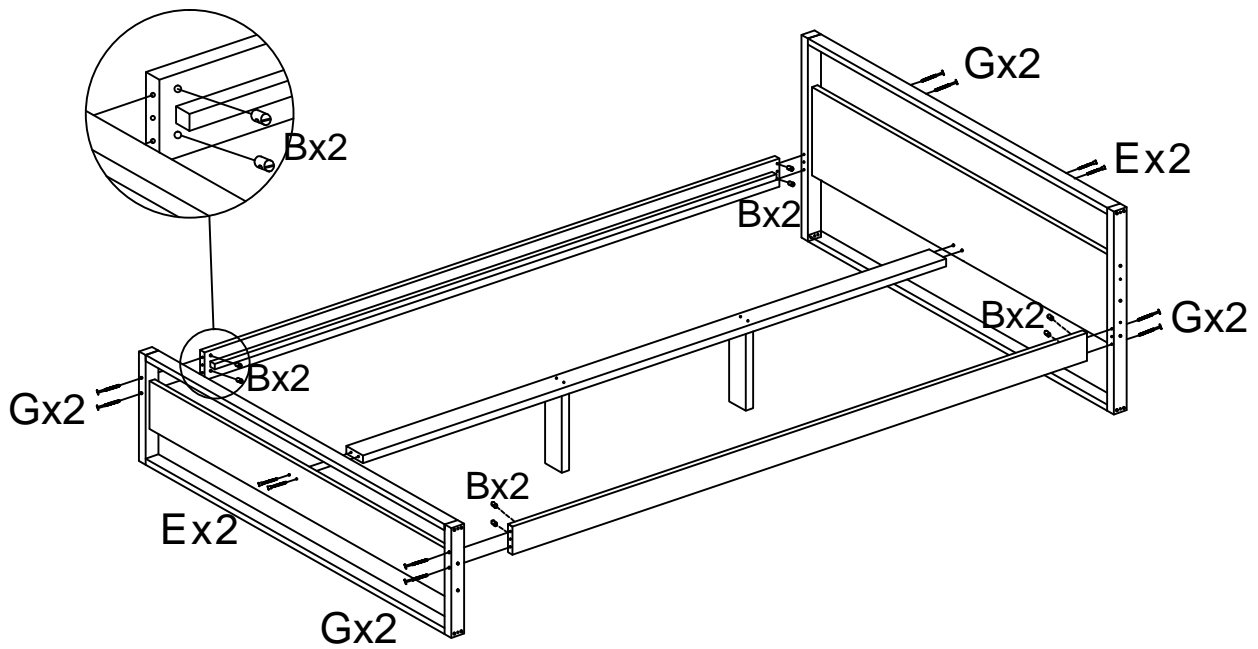
C	 Ø8X30mm	4	E	 Ø7x60mm	4
F		1			




03



G	 M6X105mm	8	E	 Ø7x50mm	4
B		8	F		1

04



D	 Ø3.5X25mm	18	H	 Hole sticks	34
I		4			

05

Cover all the holes with hole sticks.

