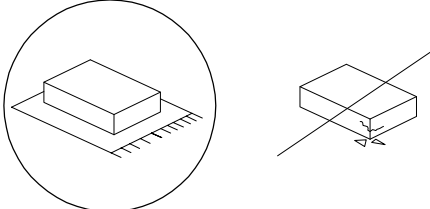


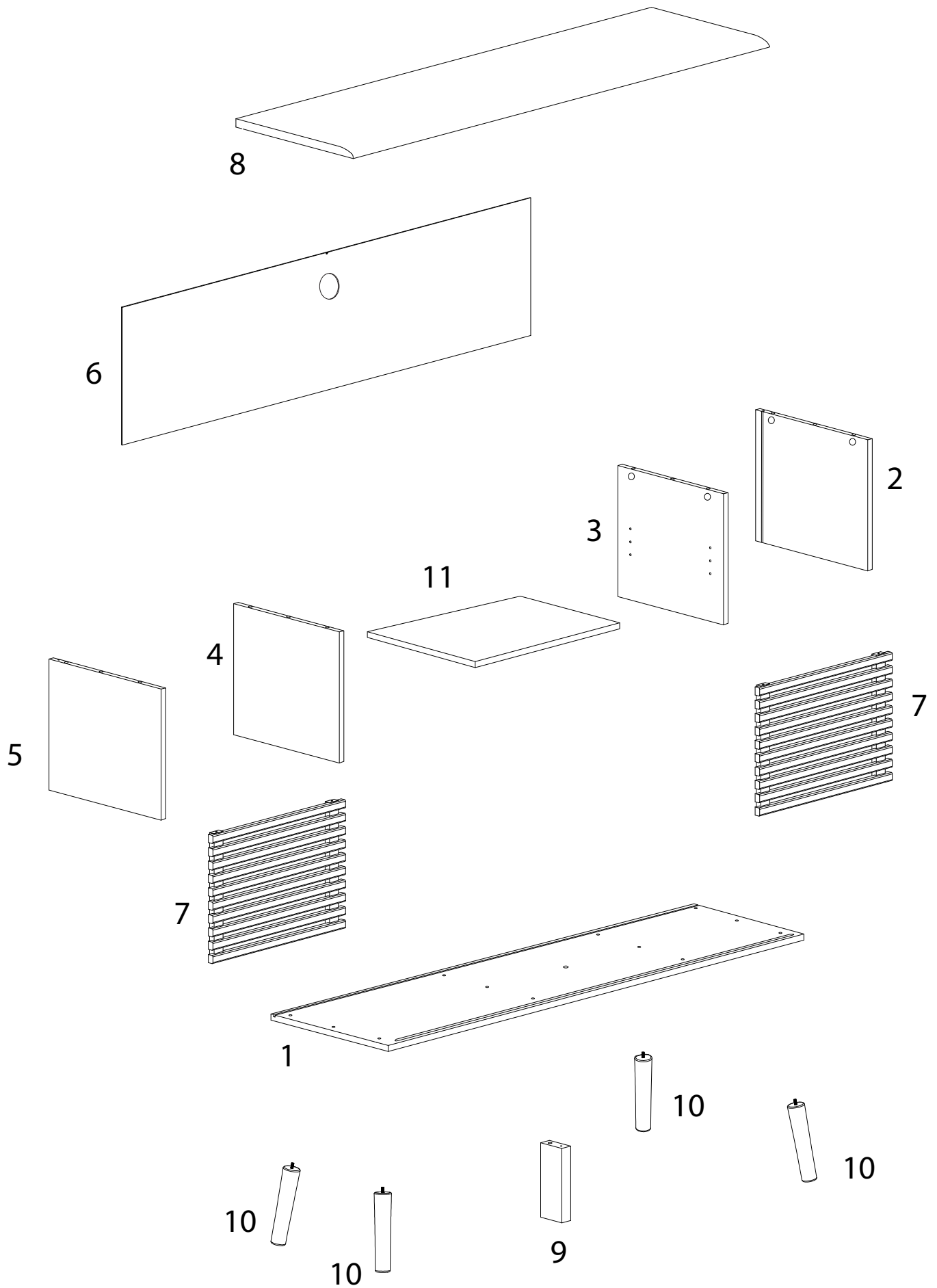
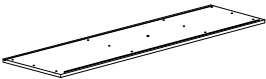
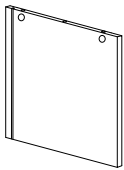
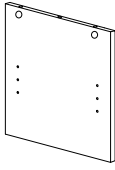
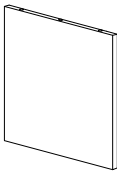
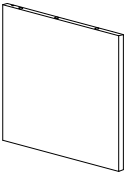
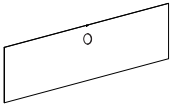
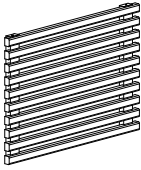
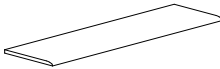


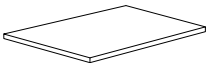
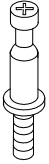
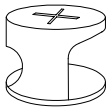
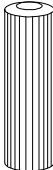
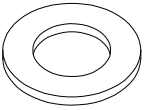

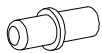
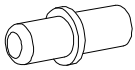
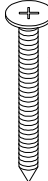
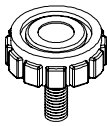
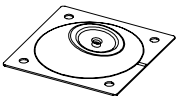
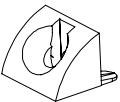
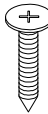

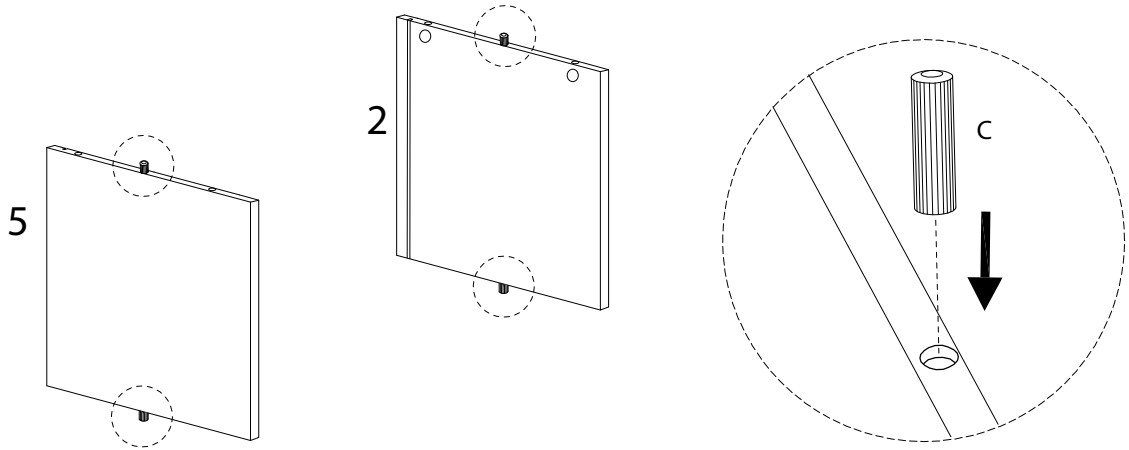
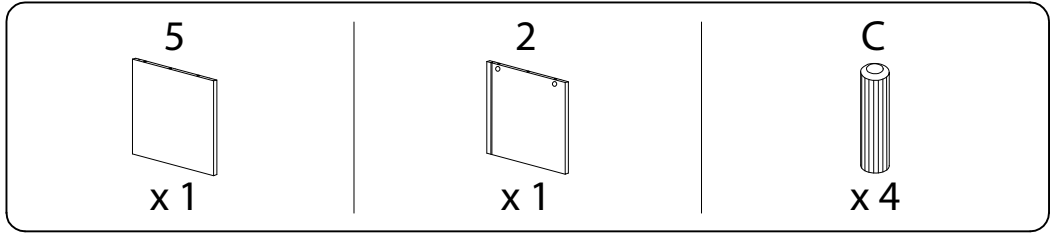

		45'
		
		2

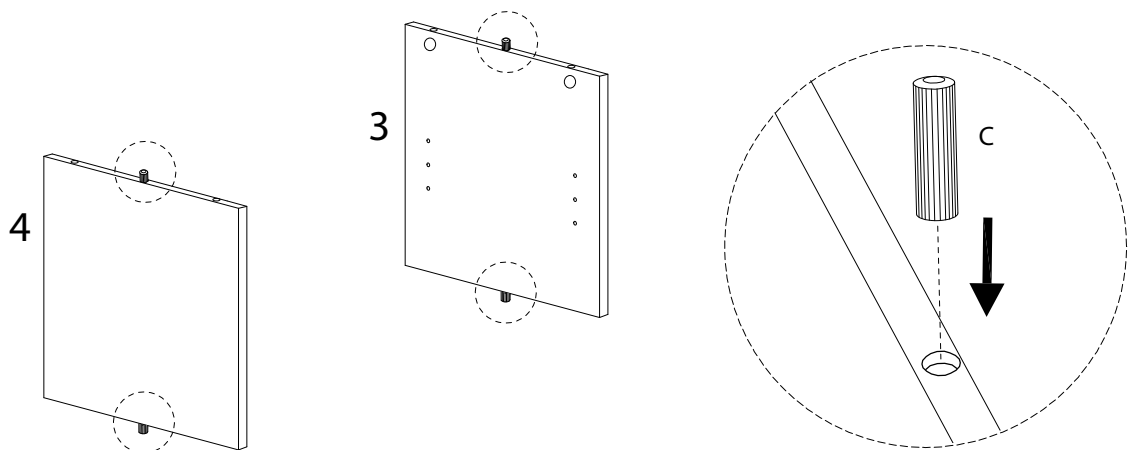
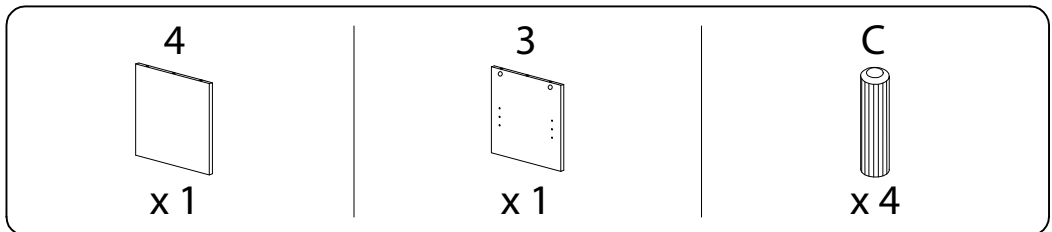


1  x 1	2  x 1	3  x 1	4  x 1	
5  x 1	6  x 1	7  x 2	8  x 1	9  x 1
10  x 4	11  x 1	A  x 8	B  x 8	C  x 9
D  x 16	E M4 x 15  x 16	F  x 4	G  x 8	H M8 x 50  x 9
I  x 1	J  x 4	K  x 6	L M6 x 19  x 6	M  x 8

1

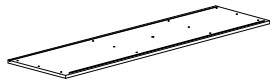


2



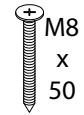
3

1

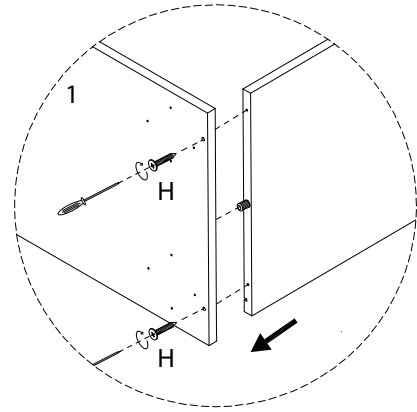
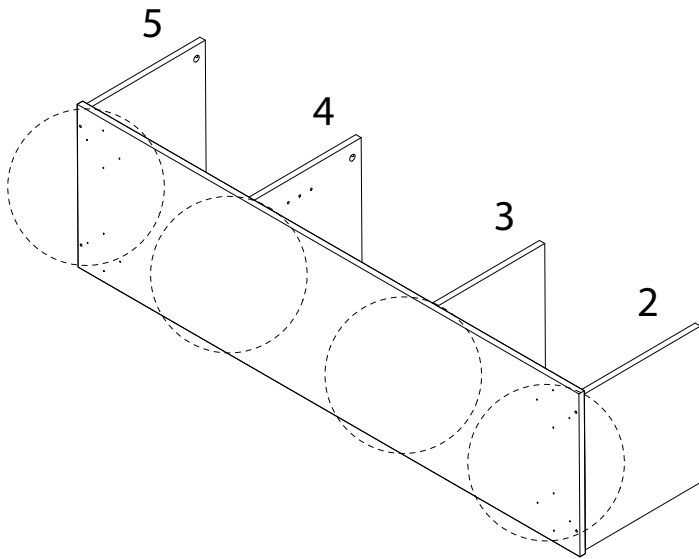


x 1

H

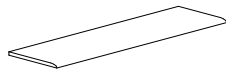


x 8



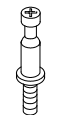
4

8

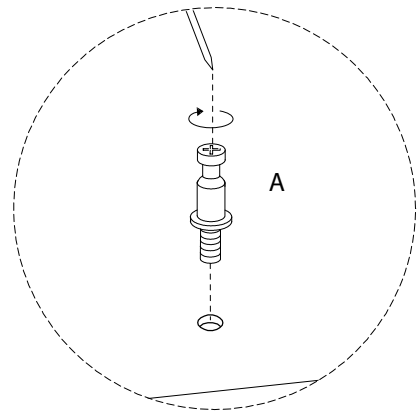
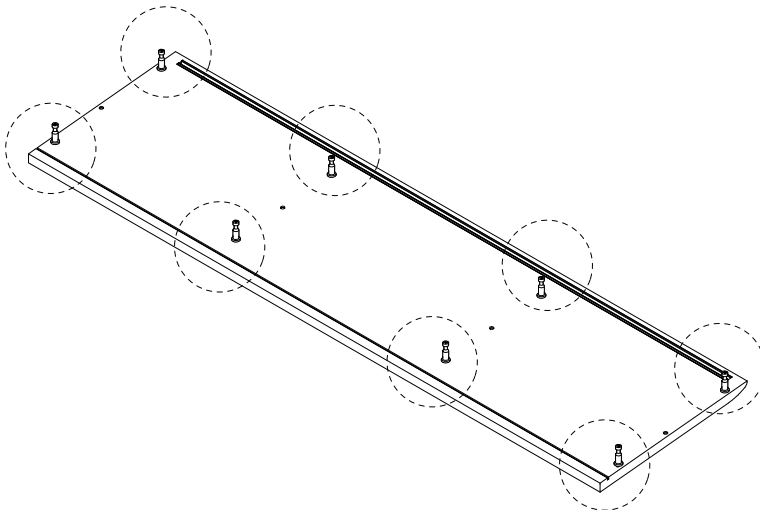


x 1

A

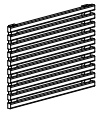


x 8



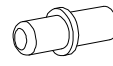
5 x 2

7

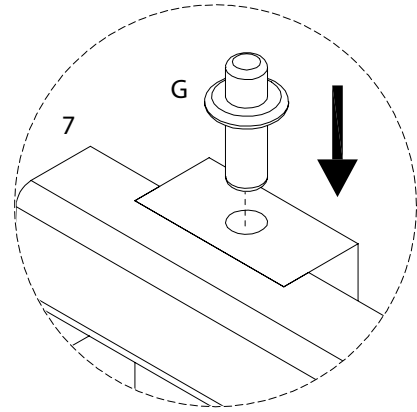
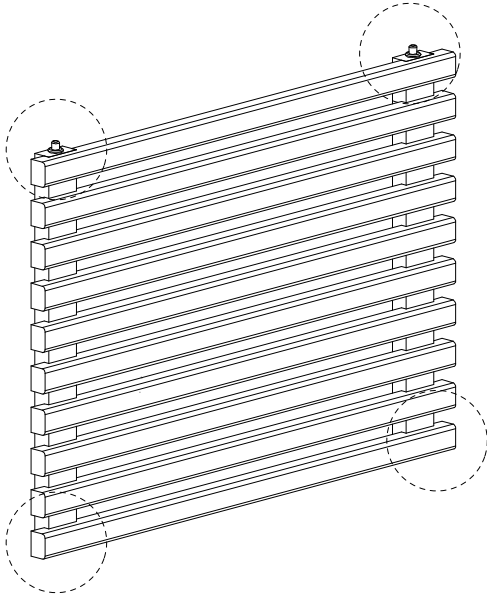


x 1

G

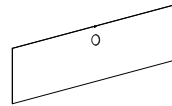


x 4

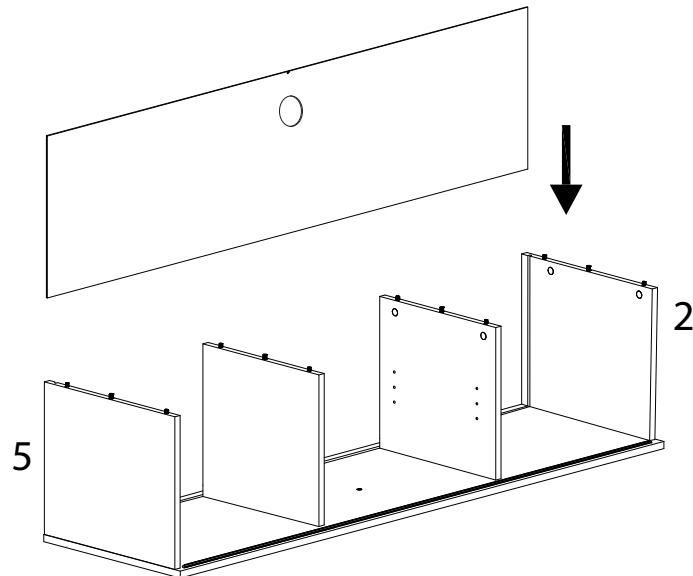


6

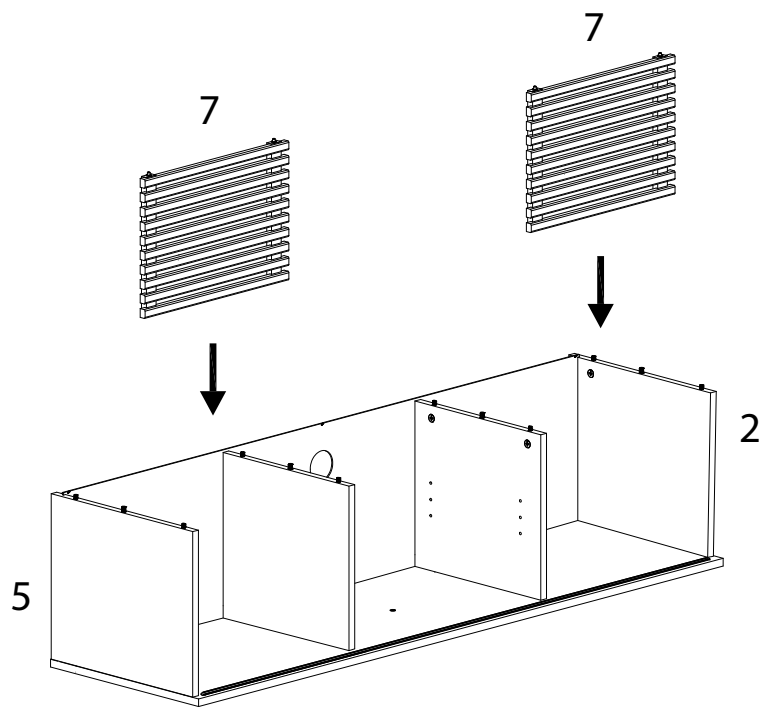
6



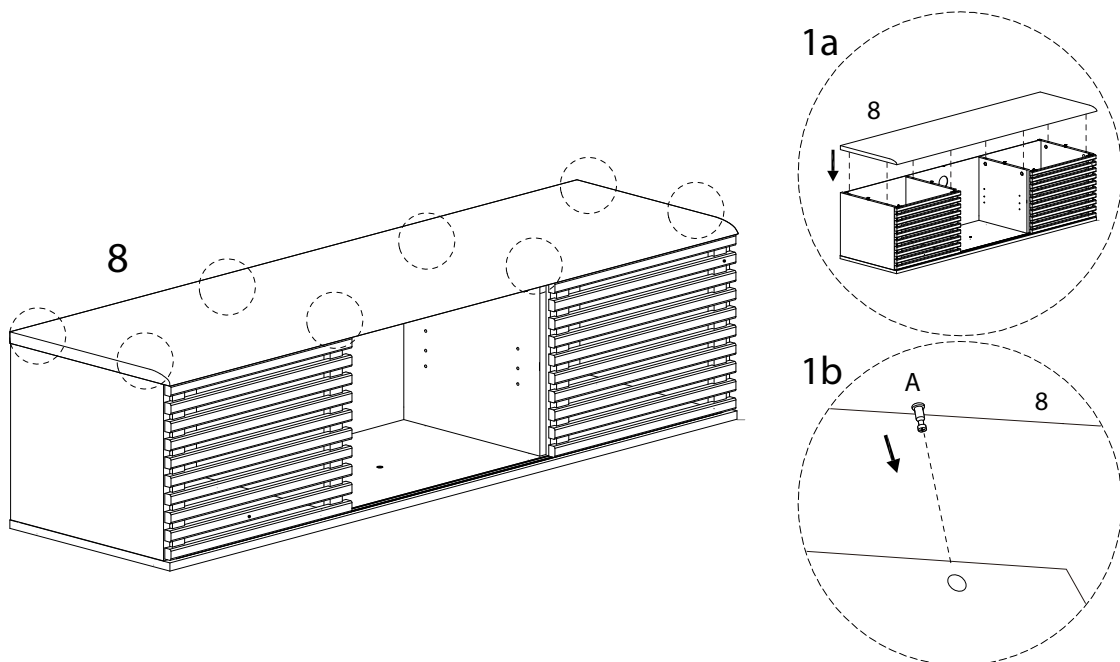
x 1



7

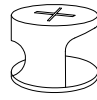


8

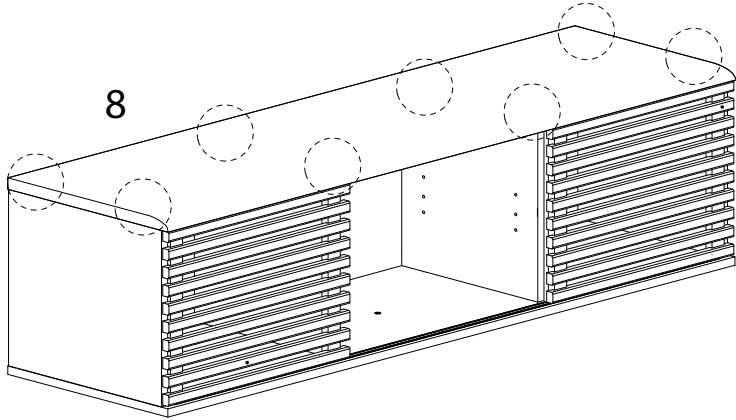


9

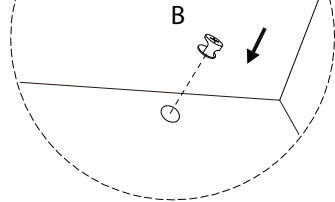
B



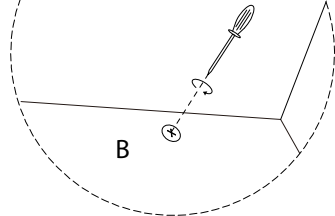
x 8



1a

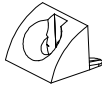


1b



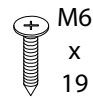
10

K

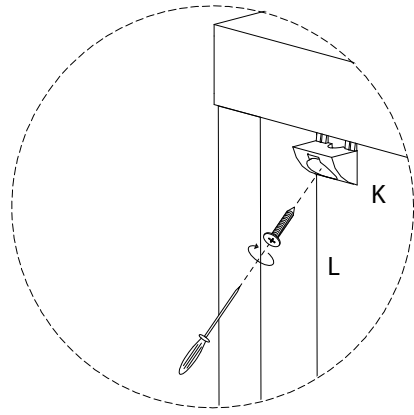
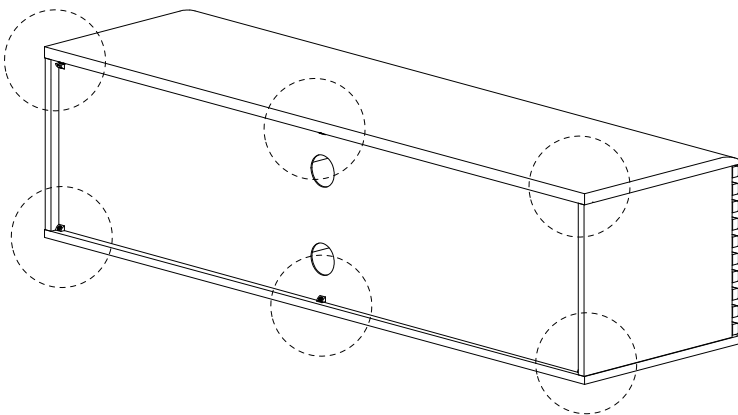


x 6

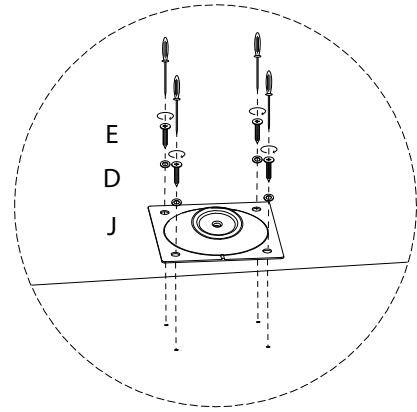
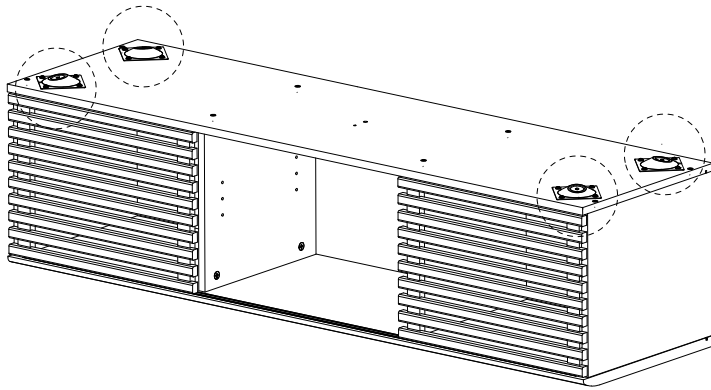
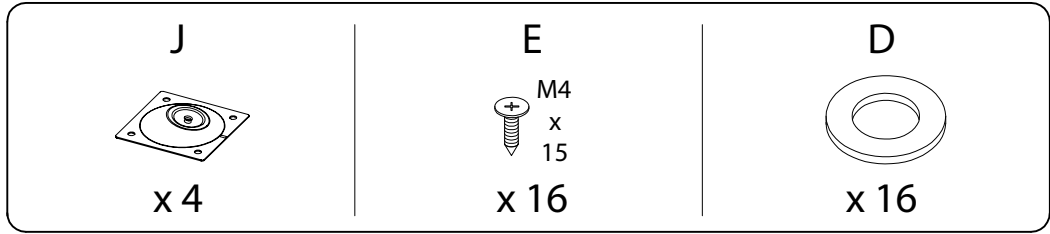
L



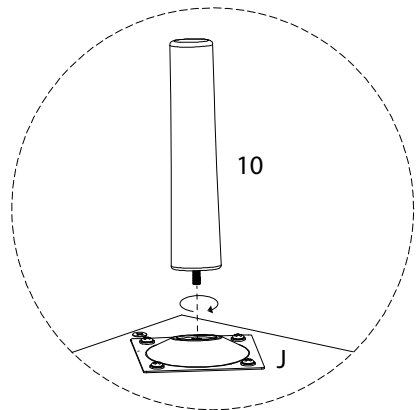
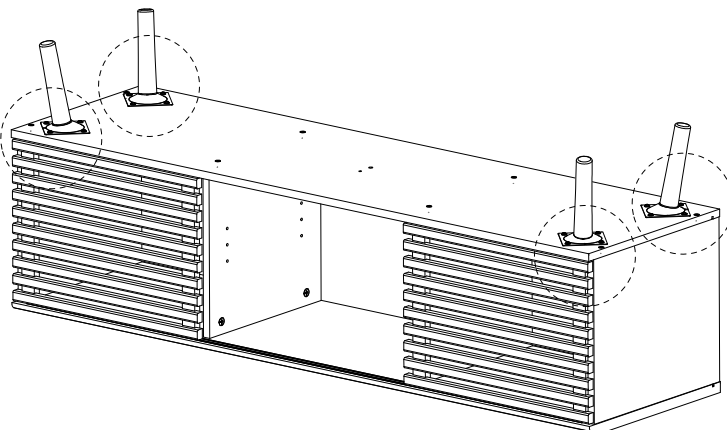
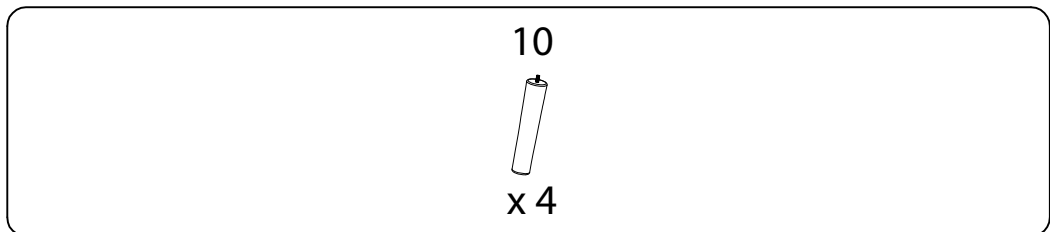
x 6



11



12



13

9

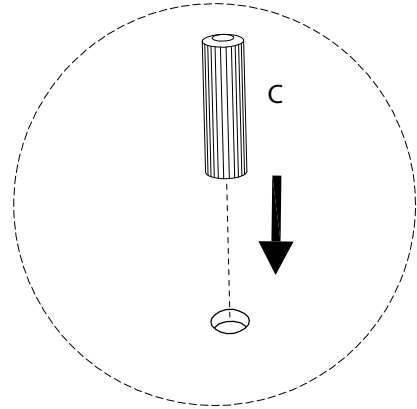
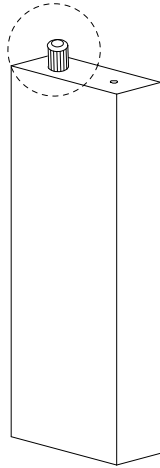


x 1

C



x 1



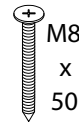
14

I

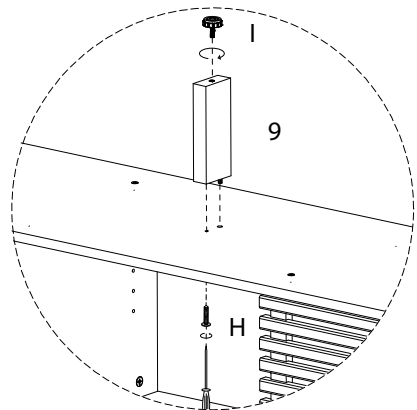
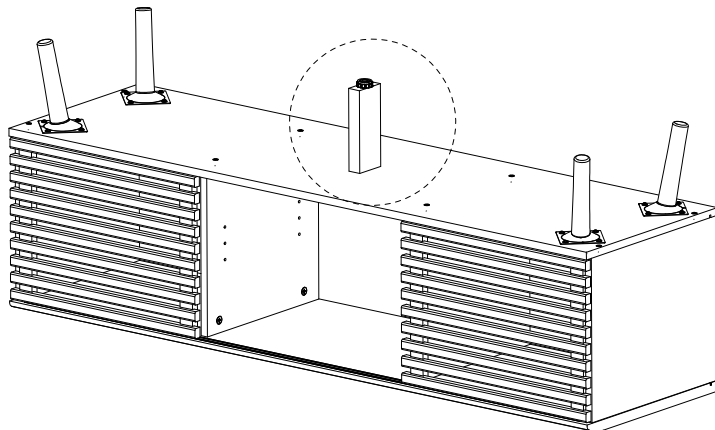


x 1

H



x 1

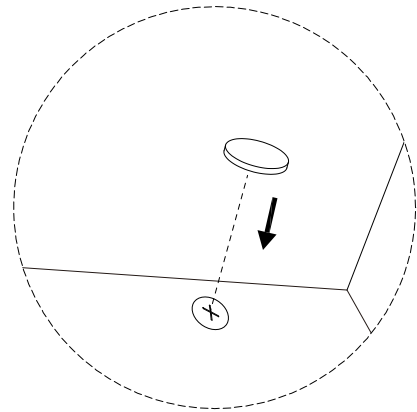
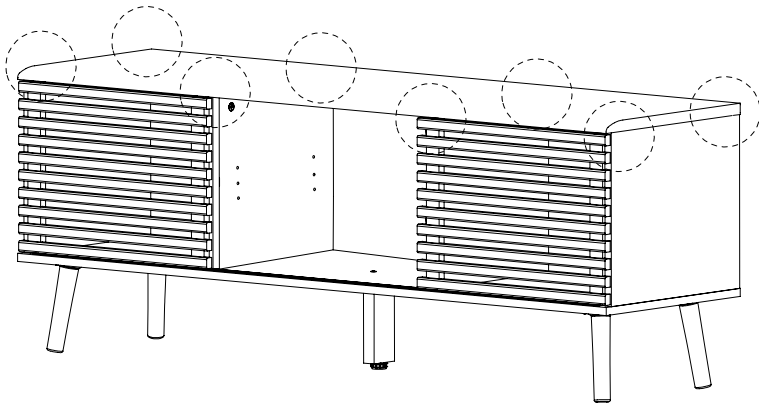


15

M

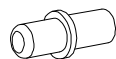


x 8

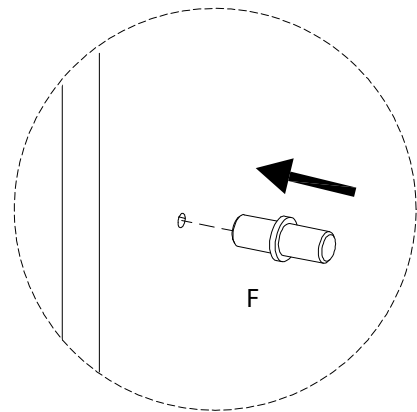
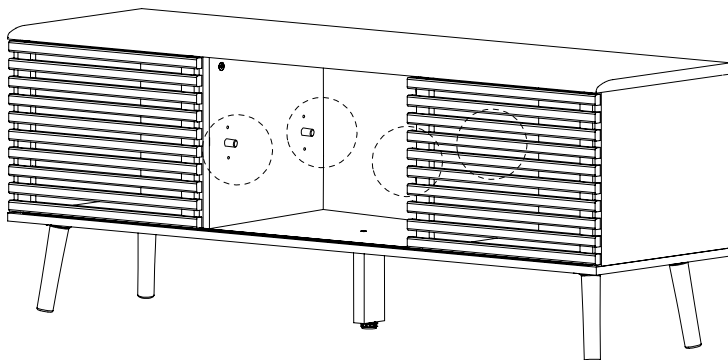


16

F

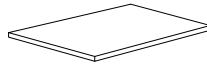


x 4



17

11



x 1

