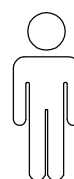
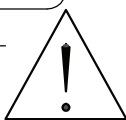
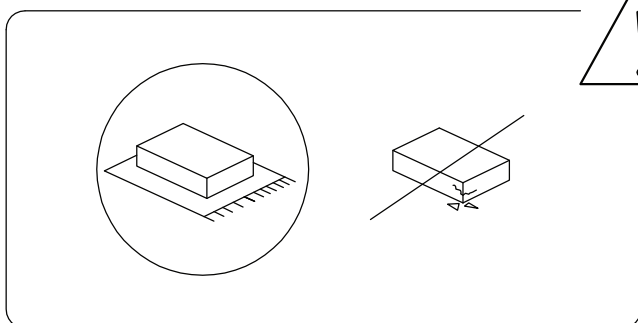
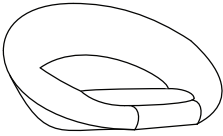
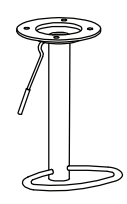



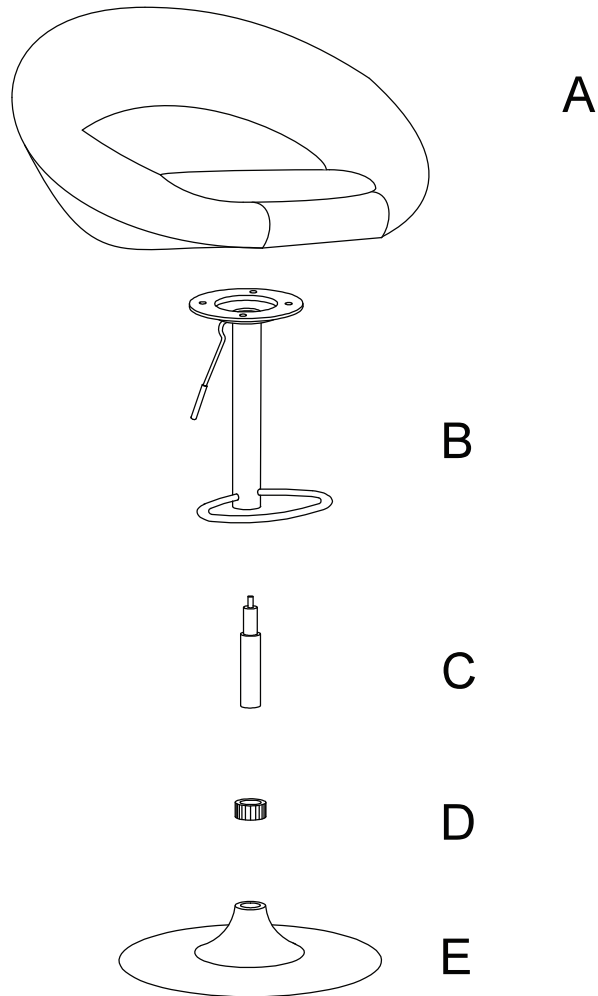
15'

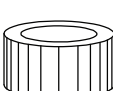
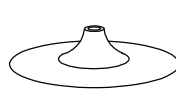
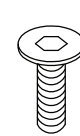
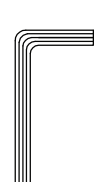


1

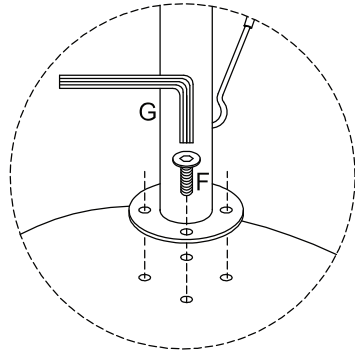
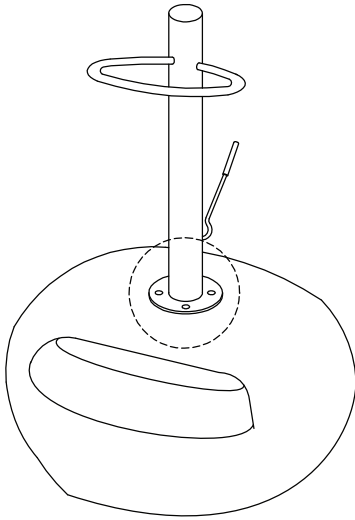
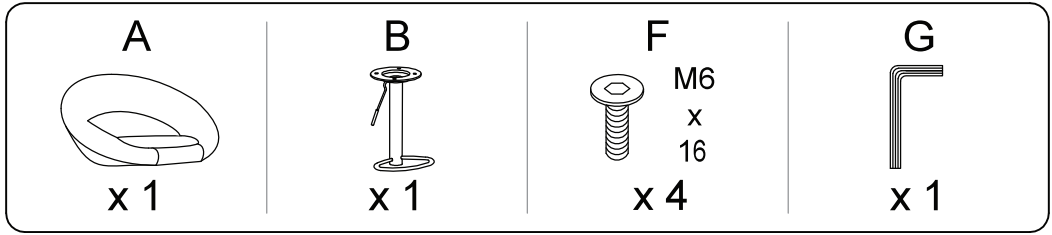
1/3

<p>A</p>  <p>x 1</p>	<p>B</p>  <p>x 1</p>	<p>C</p>  <p>x 1</p>
---	---	---

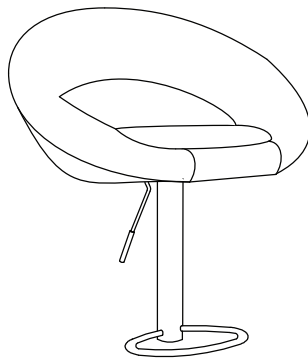


<p>D</p>  <p>x 1</p>	<p>E</p>  <p>x 1</p>	<p>F</p>  <p>M6 x 16</p> <p>x 4</p>	<p>G</p>  <p>x 1</p>
---	---	--	---

1



2



C



D



E