

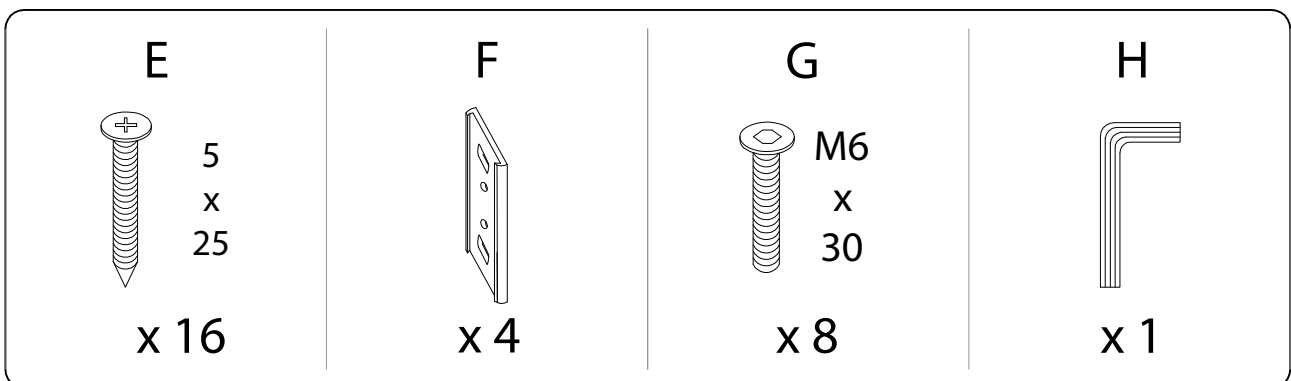
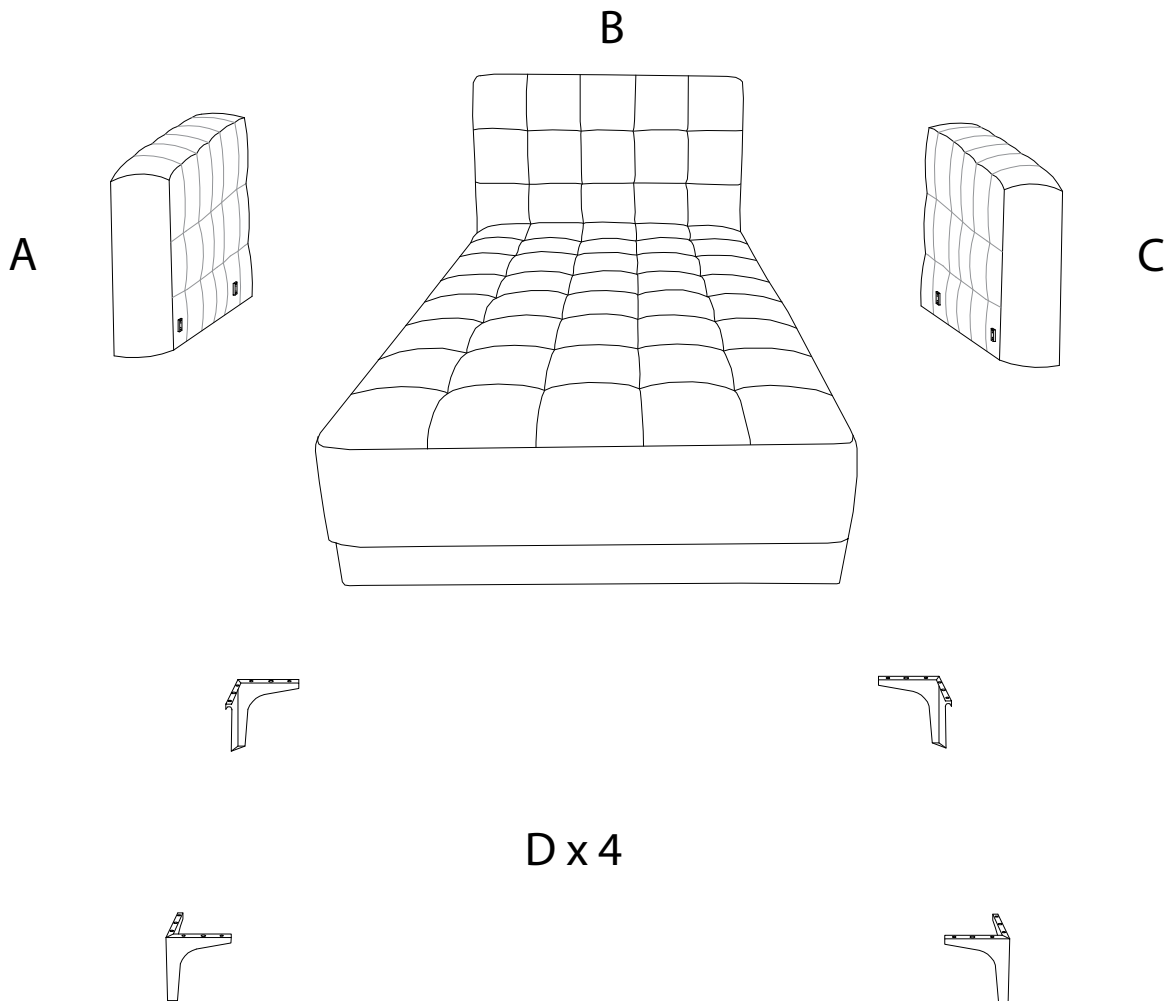
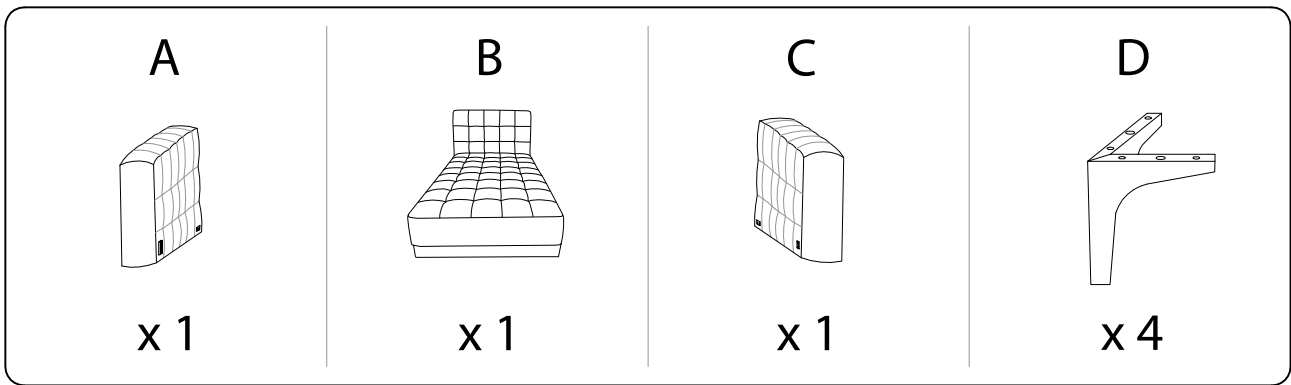
Assembly instructions for the chair, including tool requirements, time, and personnel.

**Tools:** An icon shows an Allen key and a screwdriver inside a circle, and a power drill with a slash through it, indicating that a power drill is not required.

**Warning:** A triangle with an exclamation mark indicates a warning.

**Time:** A clock icon is shown next to the number 30', indicating an estimated assembly time of 30 minutes.

**Personnel:** An icon of a person is shown next to the number 2, indicating that two people are required for assembly.



1

B



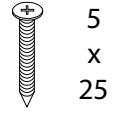
x 1

D

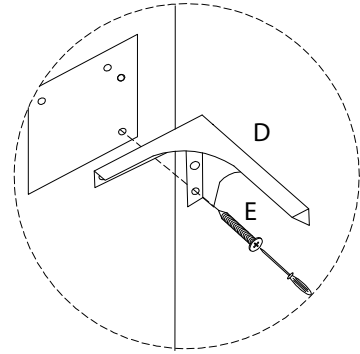
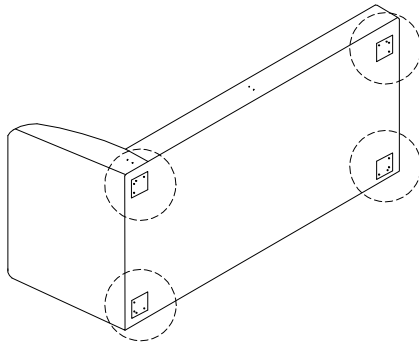


x 4

E



x 16



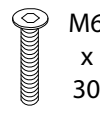
2

F



x 4

G

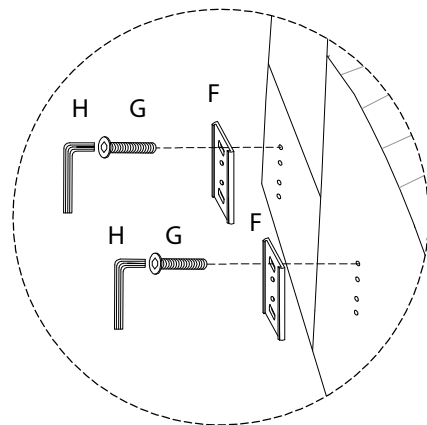
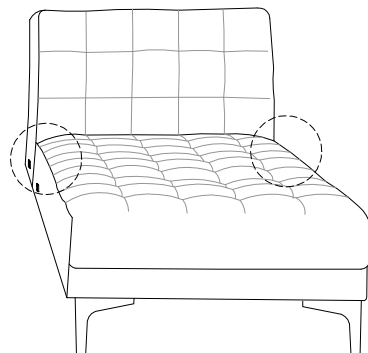


x 8

H



x 1



3

A



x 1

C



x 1

