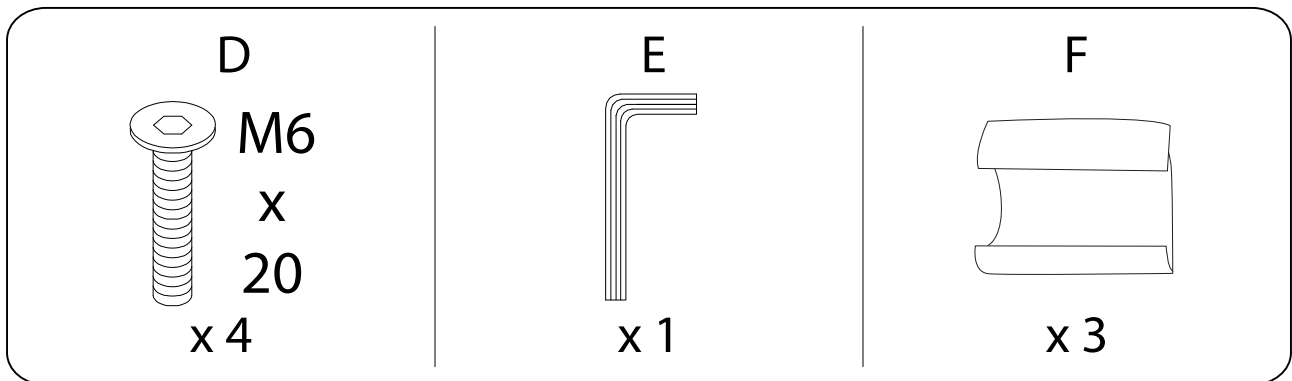
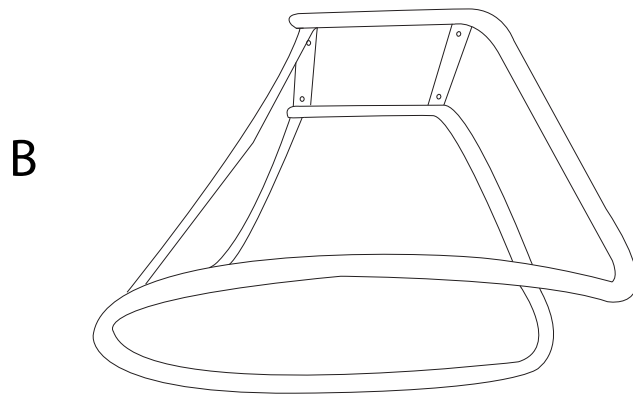
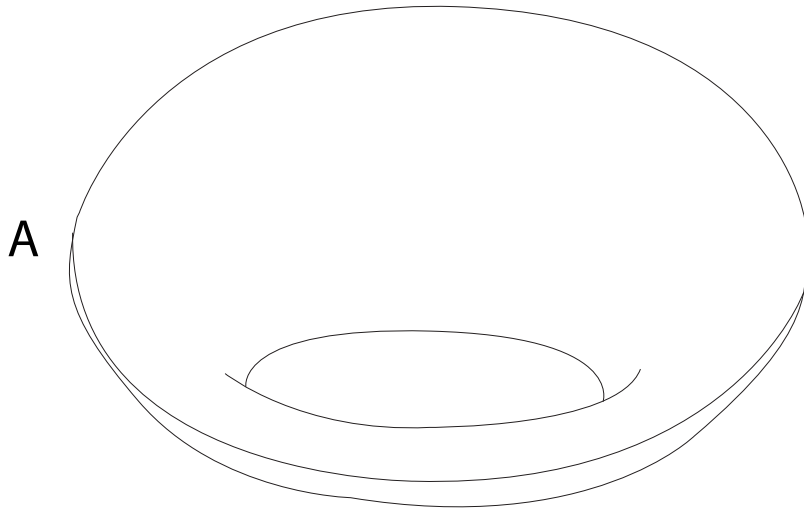
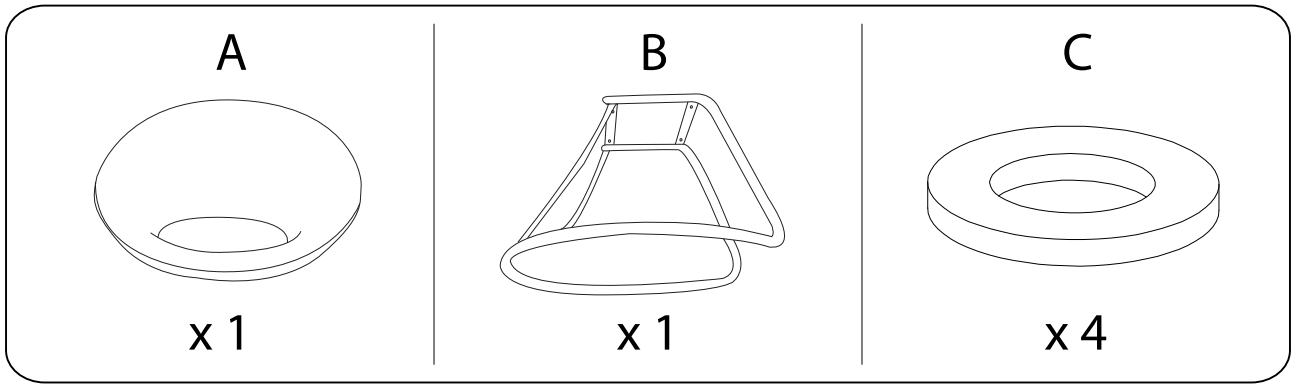
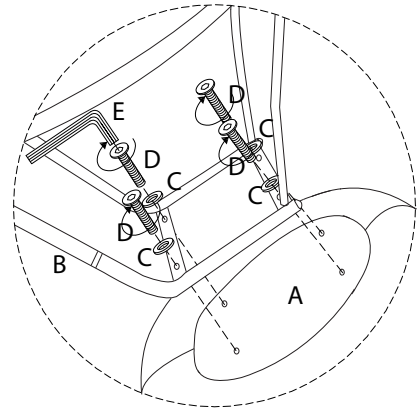
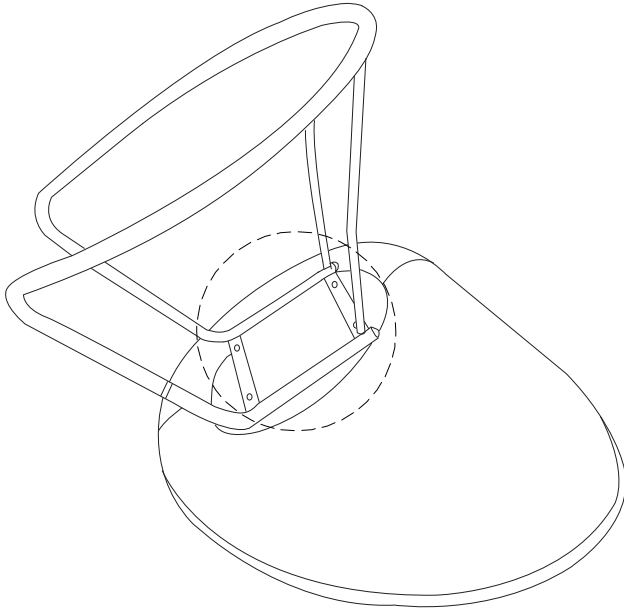
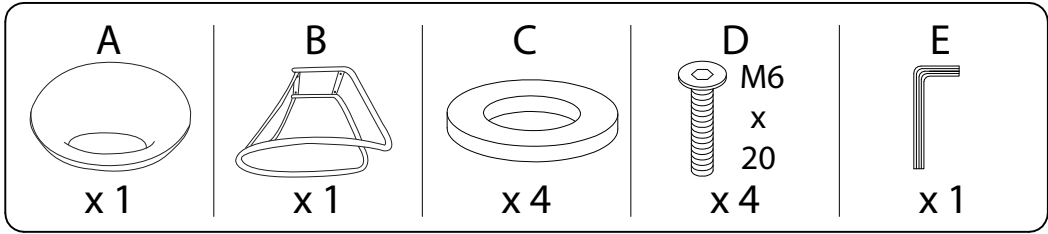


Diagram illustrating assembly instructions and safety warnings:

- Warning 1:** A warning triangle with an exclamation mark is positioned above a box. Inside the box, on the left, is a circular icon containing an L-shaped metal bracket. On the right is an icon of a power drill with a diagonal line through it, indicating that a power drill should not be used.
- Warning 2:** A second warning triangle with an exclamation mark is positioned above another box. Inside this box, on the left, is a circular icon showing a rectangular block being placed on a surface with a hatched pattern. On the right is an icon of a rectangular block with a diagonal line through it, indicating that the block should not be placed on an uneven or soft surface.
- Time:** A clock icon is shown to the right of the first warning, with the text "10'" below it, indicating a 10-minute assembly time.
- Person:** A stick figure icon is shown to the right of the second warning, with the text "1" below it, indicating that one person is required for assembly.



1



2

