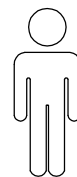
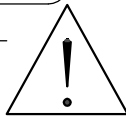
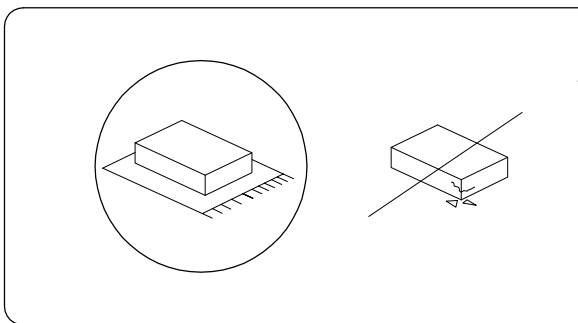
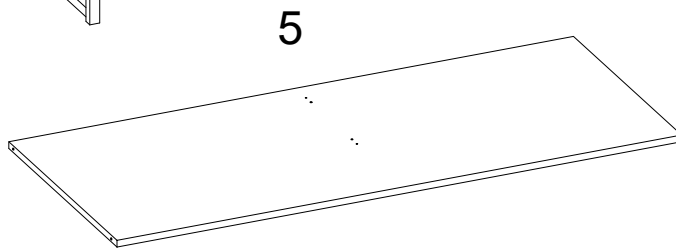
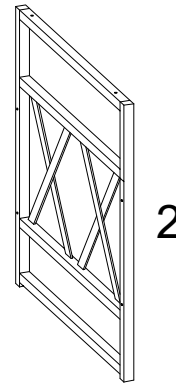
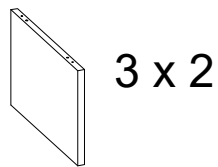
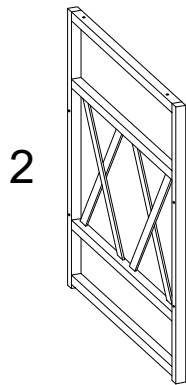
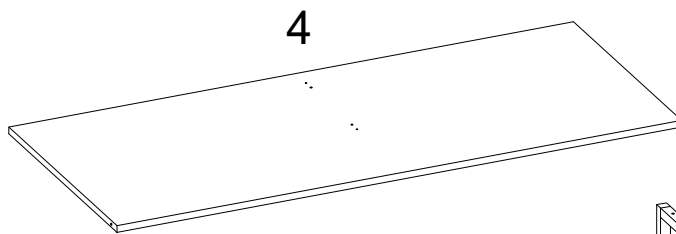
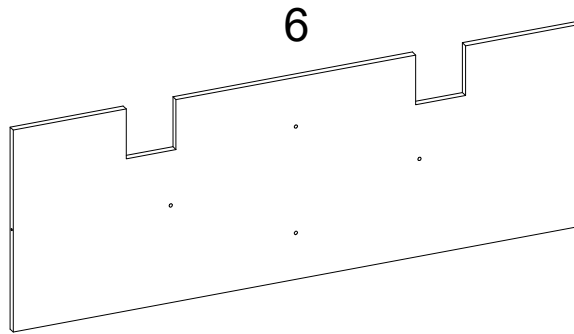
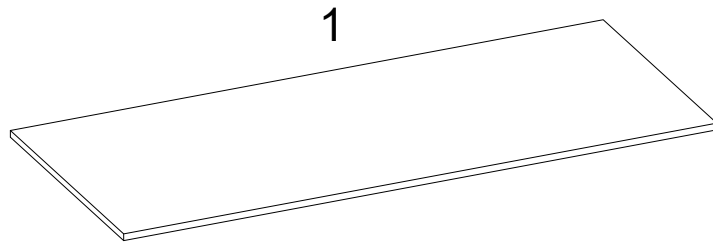


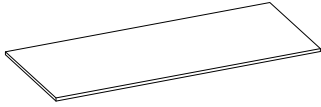
45'



1

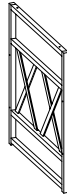


1



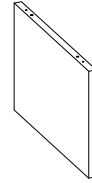
x 1

2



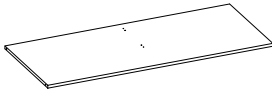
x 2

3



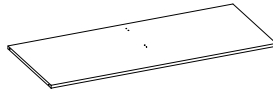
x 2

4



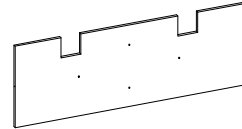
x 1

5



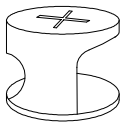
x 1

6



x 1

A



x 4

B



x 4

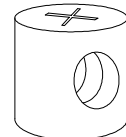
C



Ø6
x
30

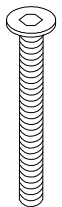
x 8

D



x 8

E



M6
x
50

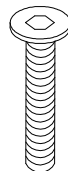
x 8

F



x 1

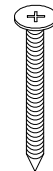
G



M6
x
30

x 4

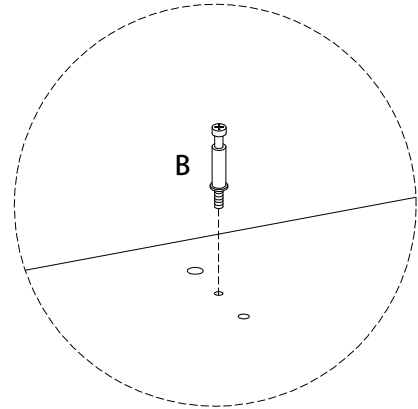
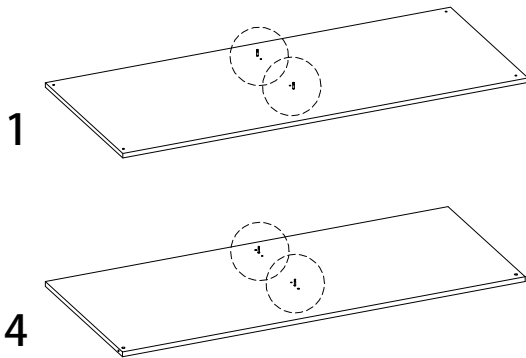
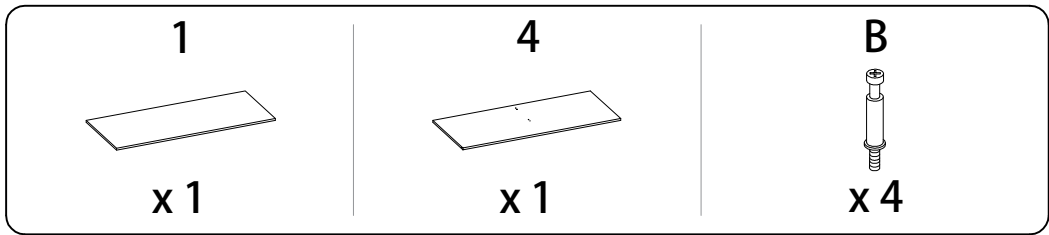
H



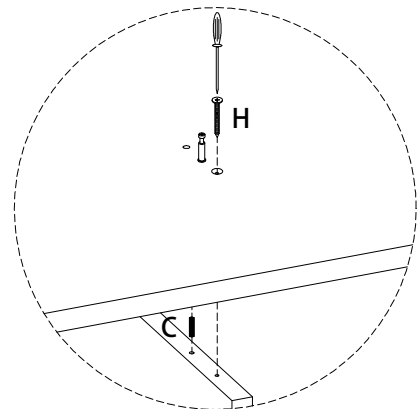
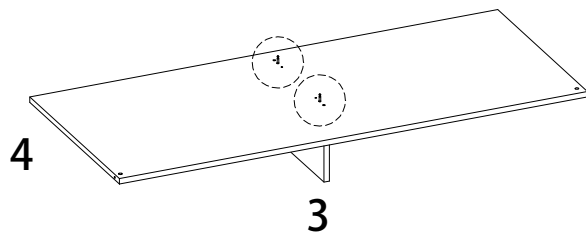
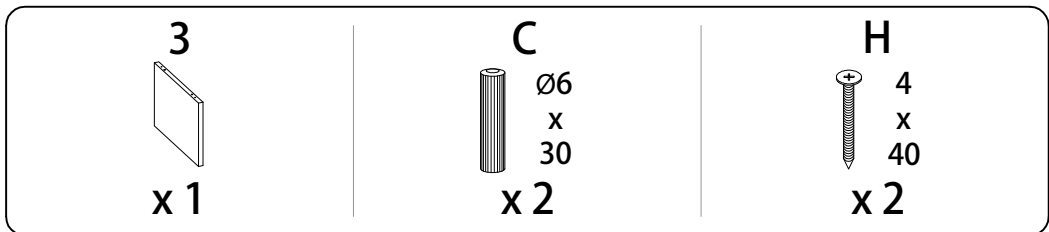
4
x
40

x 8

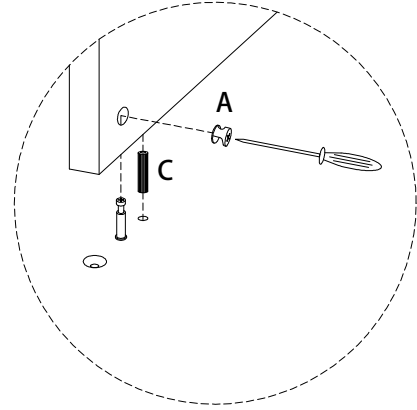
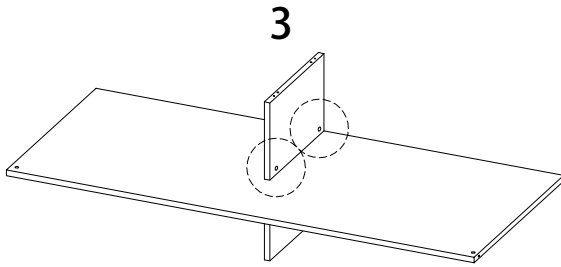
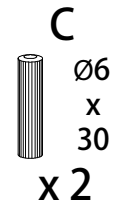
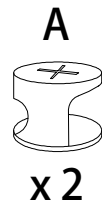
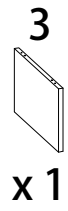
1



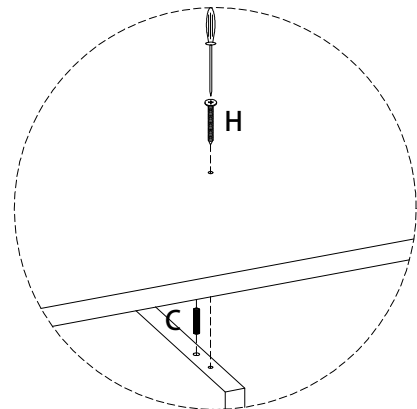
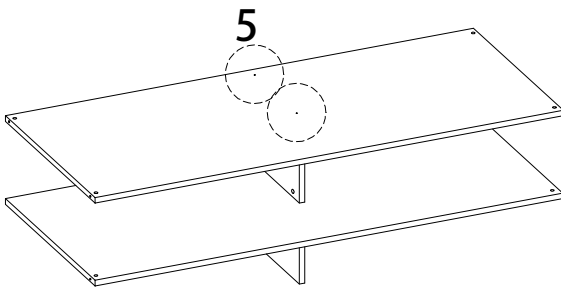
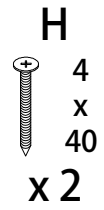
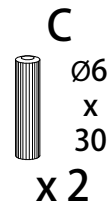
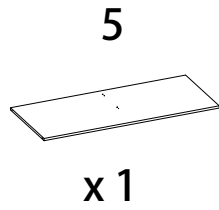
2



3



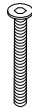
4

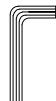


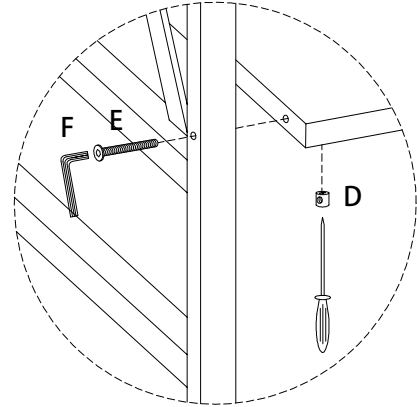
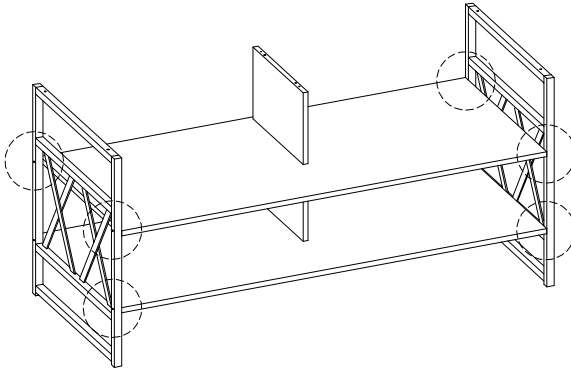
5

D

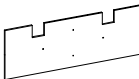
x6

E

M6
x
50
x6

F

x1

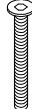


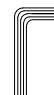
6

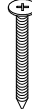
6

x1

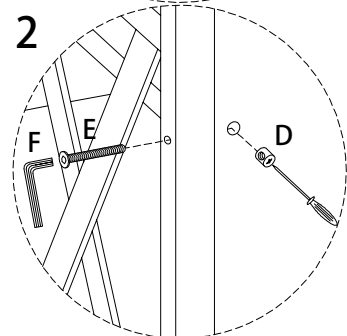
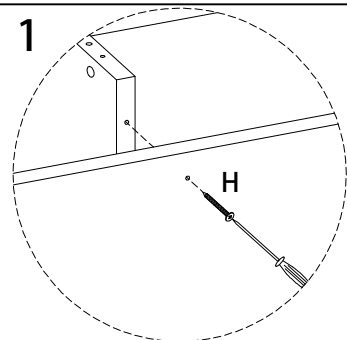
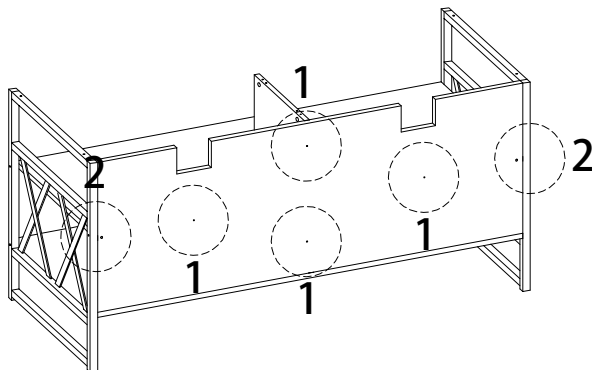
D

x2

E

M6
x
50
x2

F

x1

H

4
x
40
x4



7

