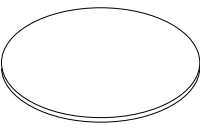
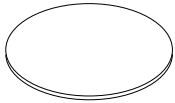
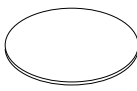
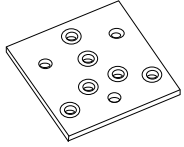


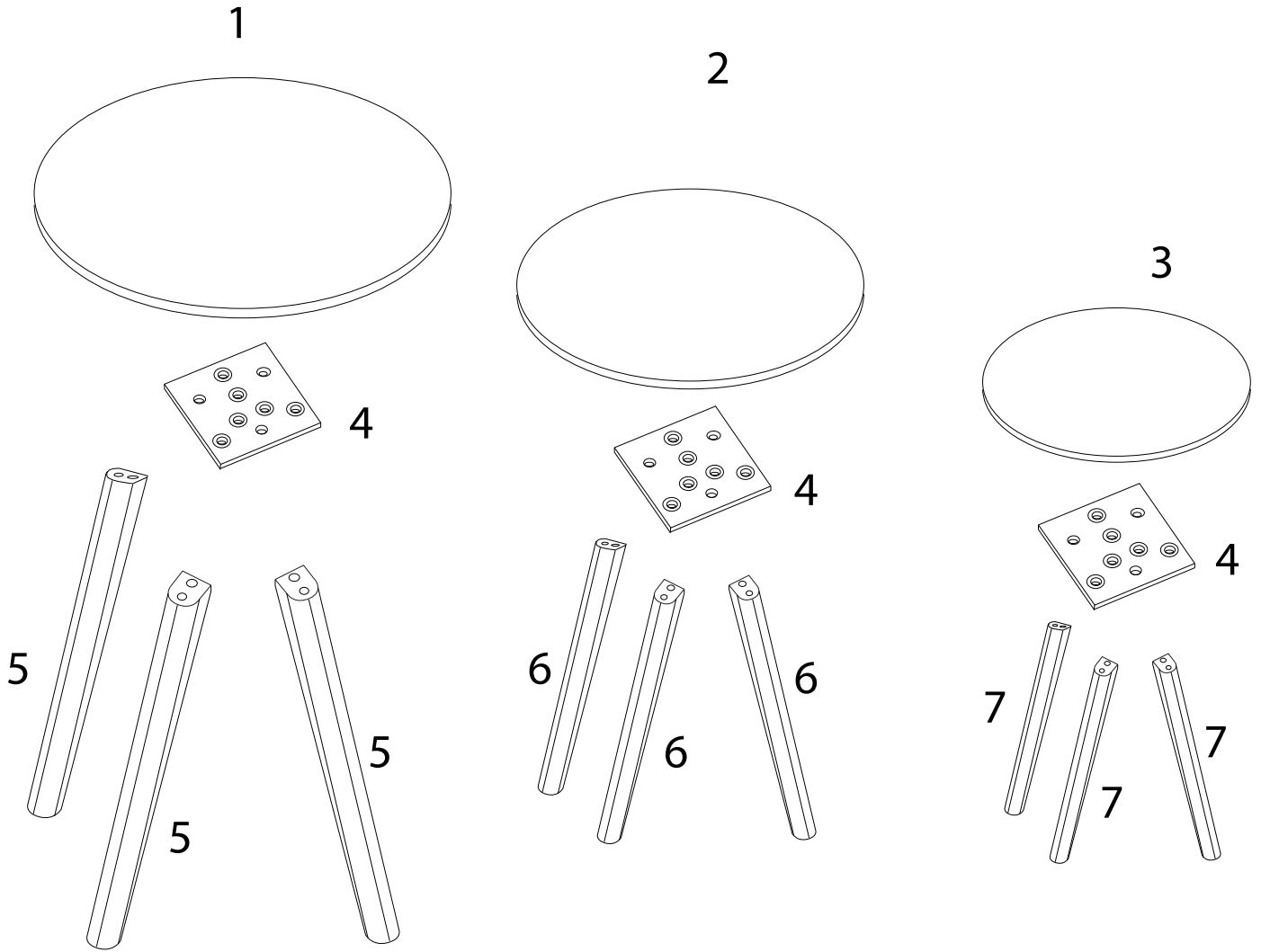




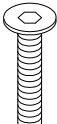


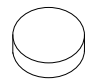


Diagram illustrating assembly steps and safety warnings:

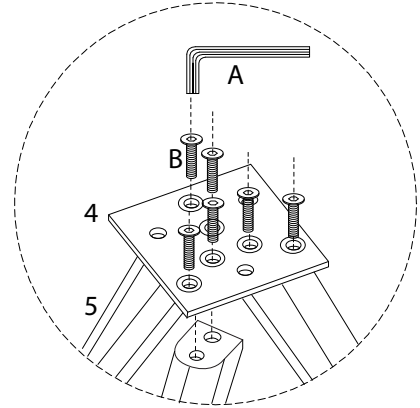
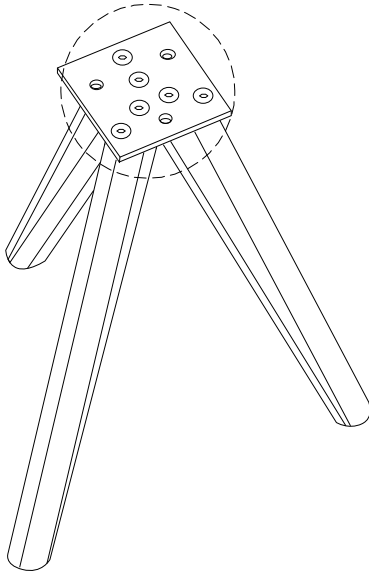
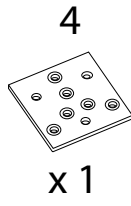
- Top Step:** Shows a corner bracket being attached to a leg. A power drill is shown with a diagonal line through it, indicating it should not be used. A warning triangle with an exclamation mark is positioned to the right.
- Bottom Step:** Shows a rectangular block being attached to a leg. A power drill is shown with a diagonal line through it, indicating it should not be used. A warning triangle with an exclamation mark is positioned to the right.
- Time:** A clock icon is shown with the text "40'" below it, indicating the estimated assembly time.
- Person:** A person icon is shown with the text "1" below it, indicating the number of people required for assembly.

1	2	3	4	5	6
					
x 1	x 1	x 1	x 3	x 3	x 3

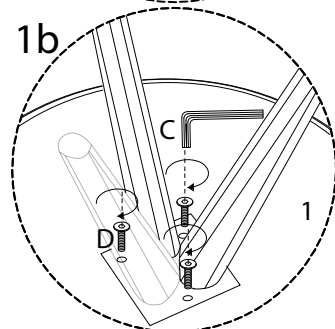
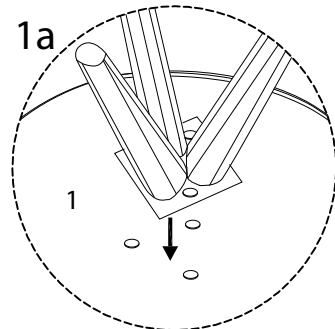
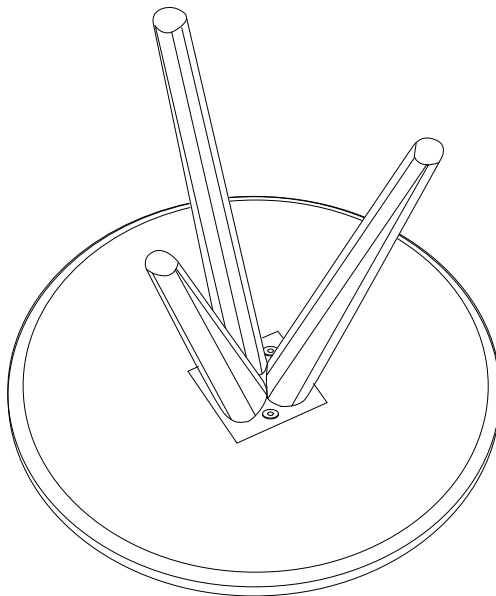
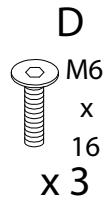
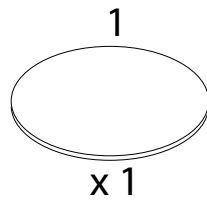


7	A	B	C	D	E
					
x 3	x 1	x 18	x 1	x 9	x 9

1



2

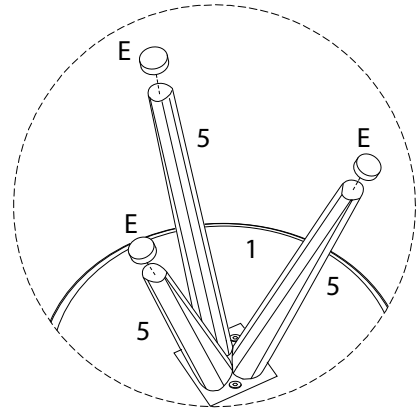
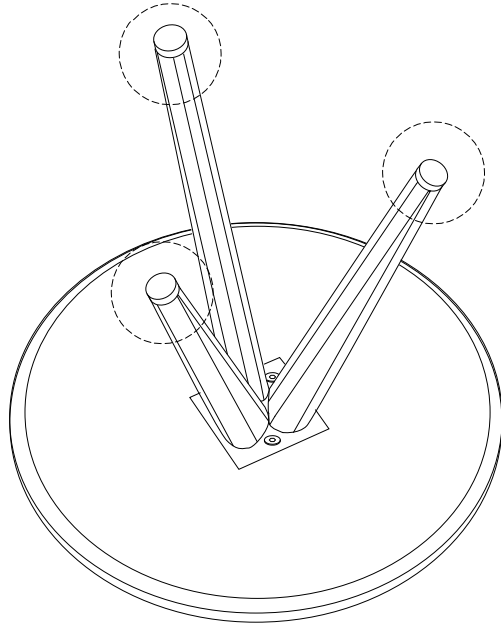


3

E



x 3



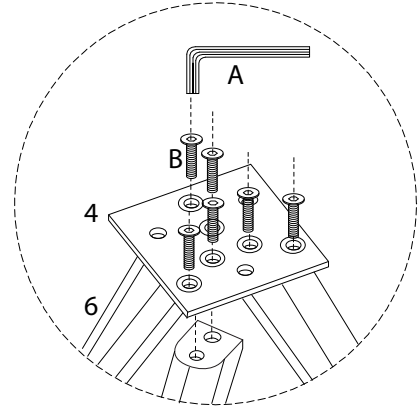
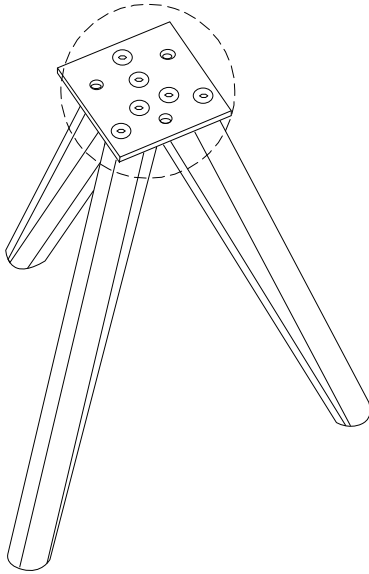
4

6
x 3

4
x 1

B
M6
x 25
x 5

A
M4
x 1

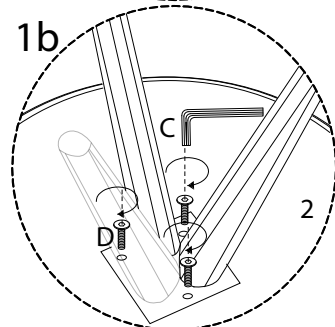
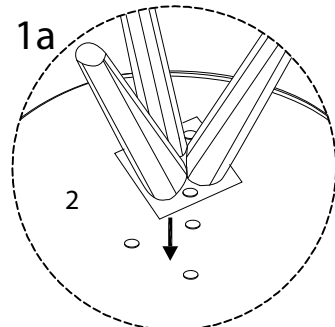
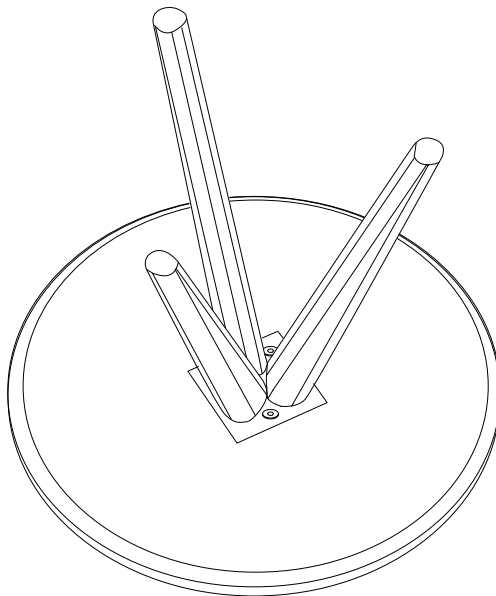


5

2
x 1

D
M6
x 16
x 3

C
M5
x 1

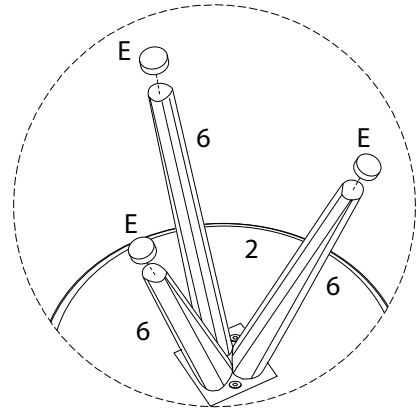
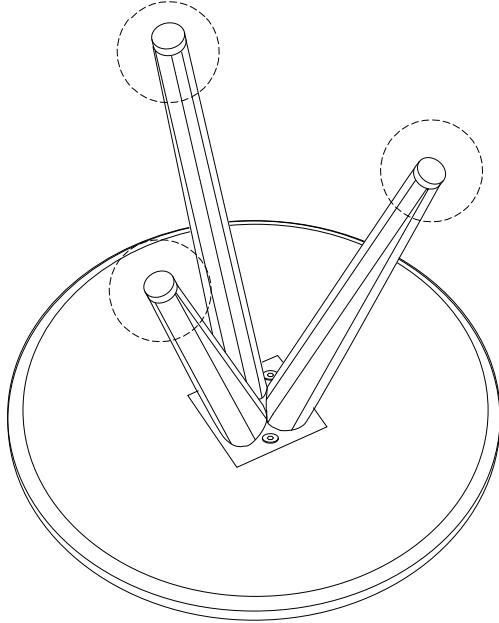


6

E



x 3



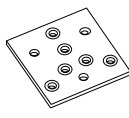
7

7



x 3

4



x 1

B



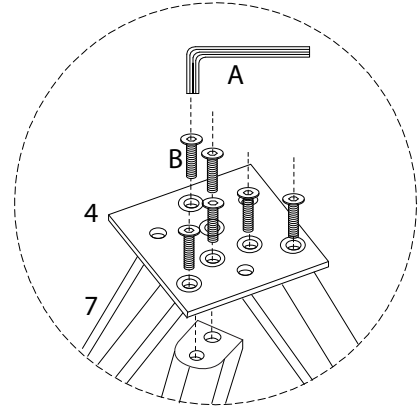
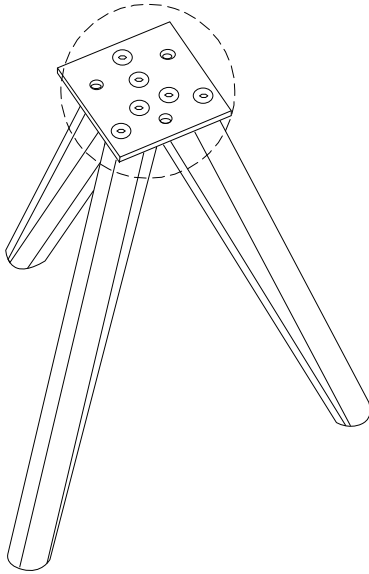
M6
x 25

x 5

A

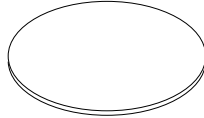


M4
x 1



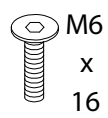
8

3



x 1

D



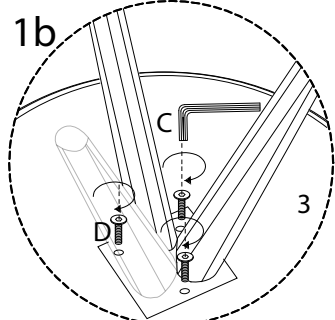
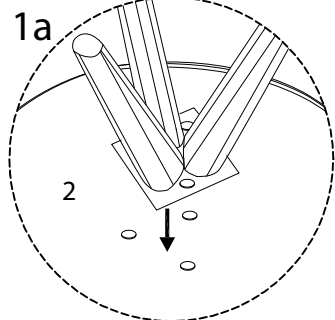
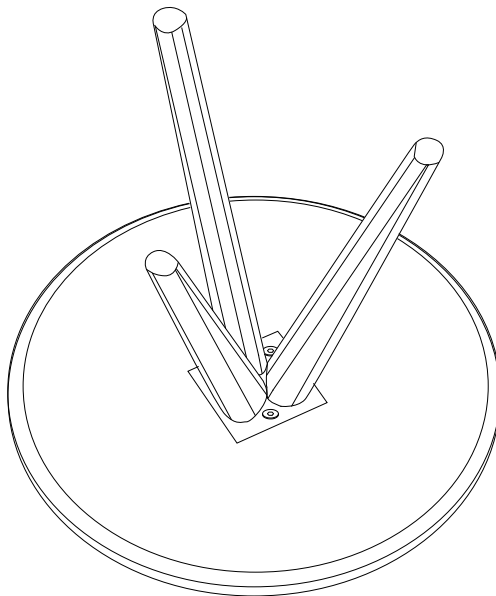
M6
x 16

x 3

C



M5
x 1



9

E



x 3

