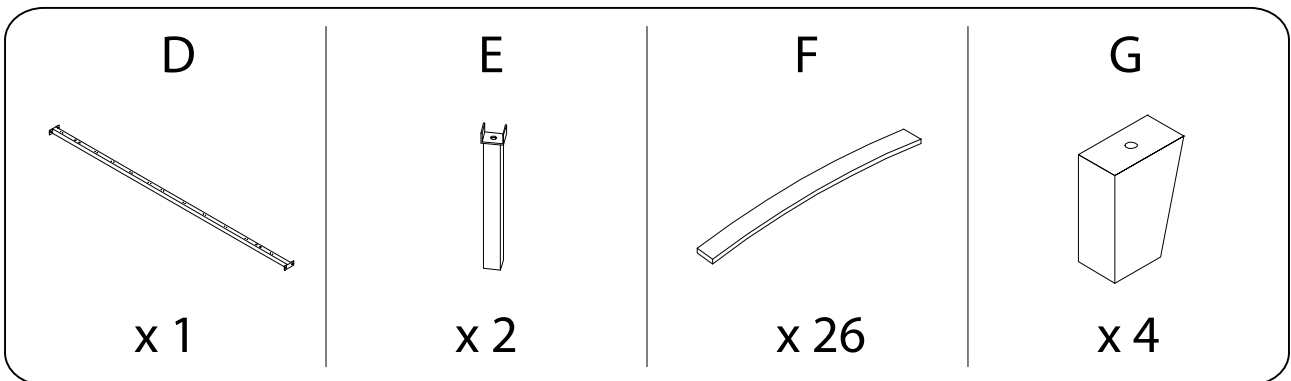
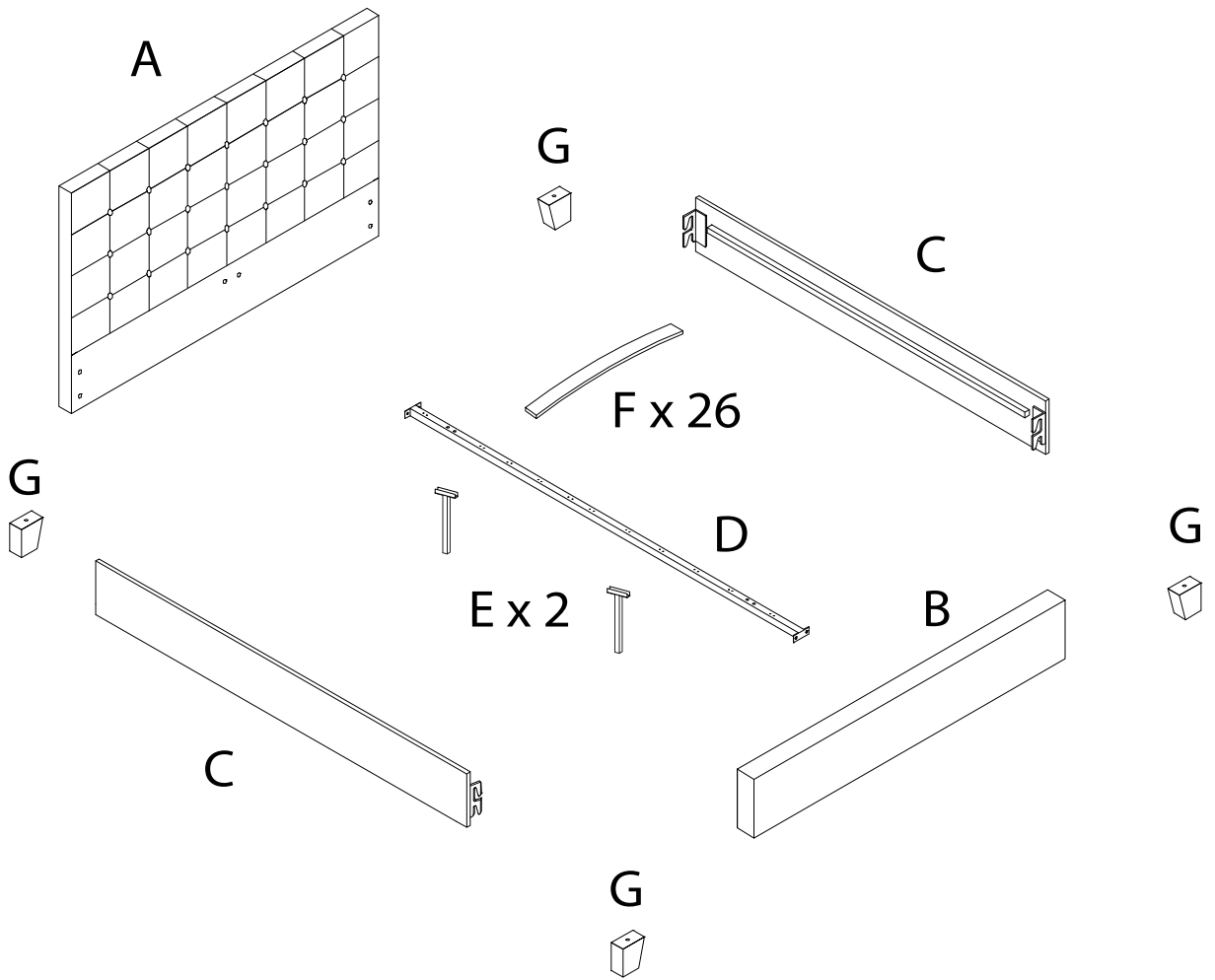
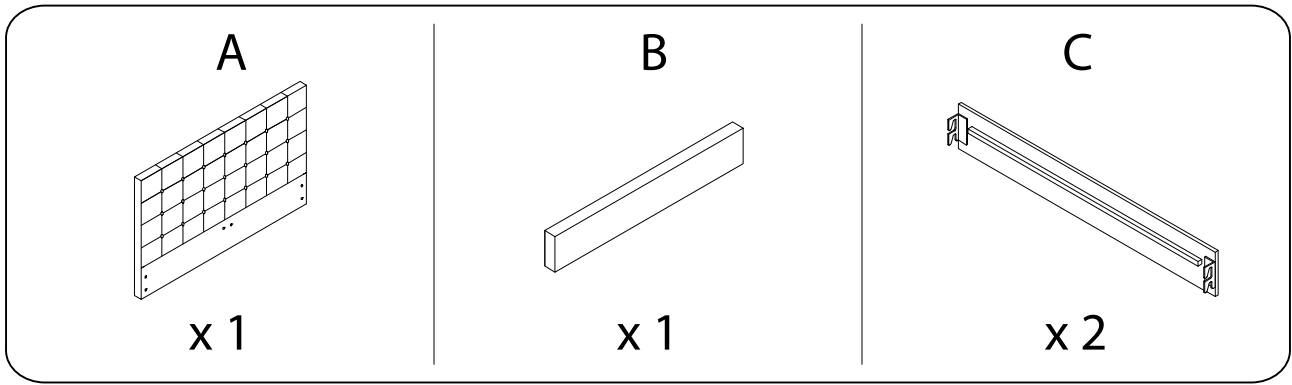
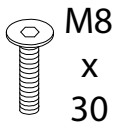


Diagram illustrating assembly instructions and safety warnings:

- Warning 1:** A triangle with an exclamation mark. Below it, a box contains an L-shaped metal bracket and a power drill with a slash through it, indicating that a power drill should not be used for this step.
- Warning 2:** A triangle with an exclamation mark. Below it, a box shows a rectangular block being placed on a surface with a slash through it, indicating that the block should not be placed on the floor.
- Time:** A clock icon with the text "45'" below it, indicating the estimated assembly time.
- Personnel:** An icon of a person with the number "2" below it, indicating that two people are required for assembly.

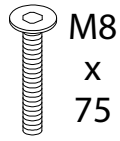


H



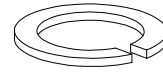
x 14

I



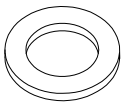
x 4

J



x 8

K



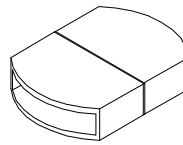
x 10

L



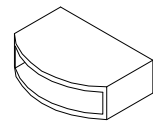
x 1

M



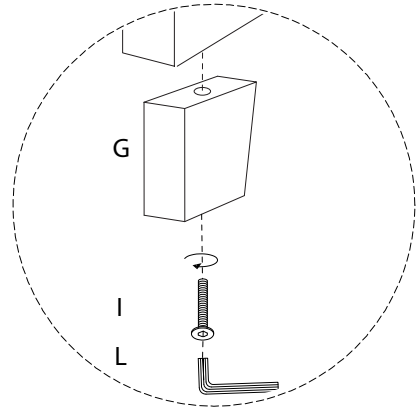
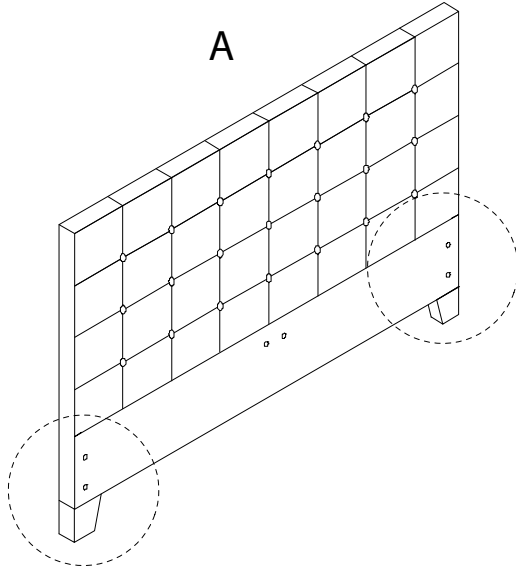
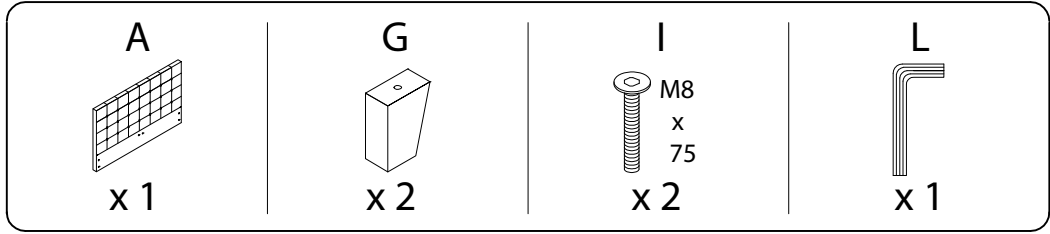
x 13

N

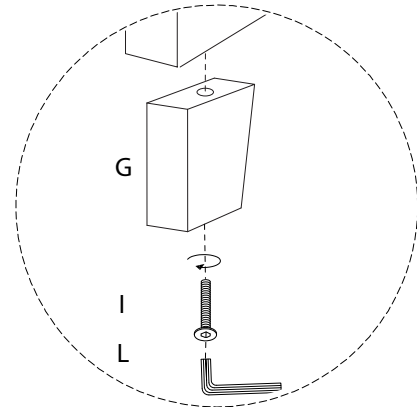
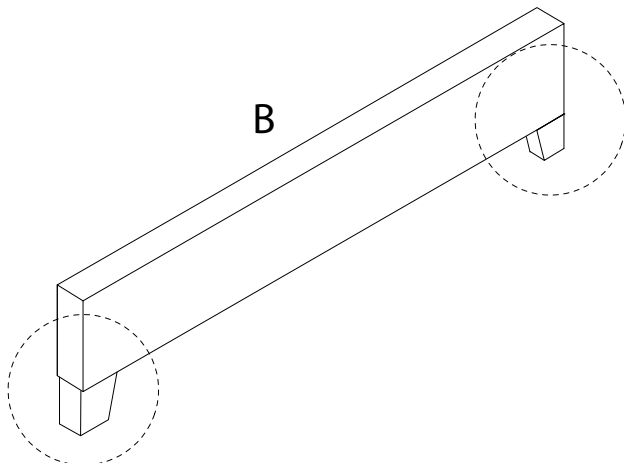
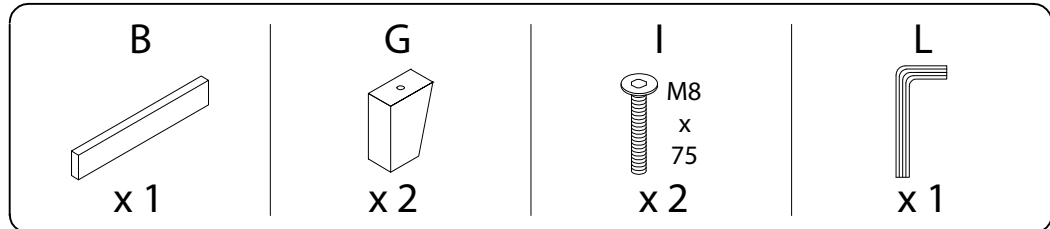


x 26

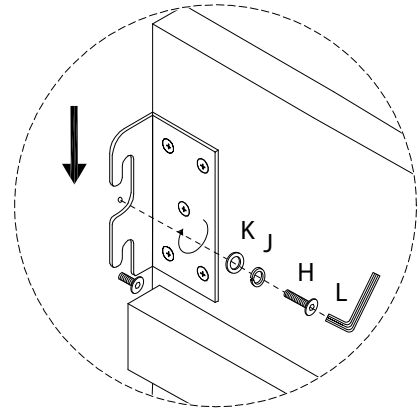
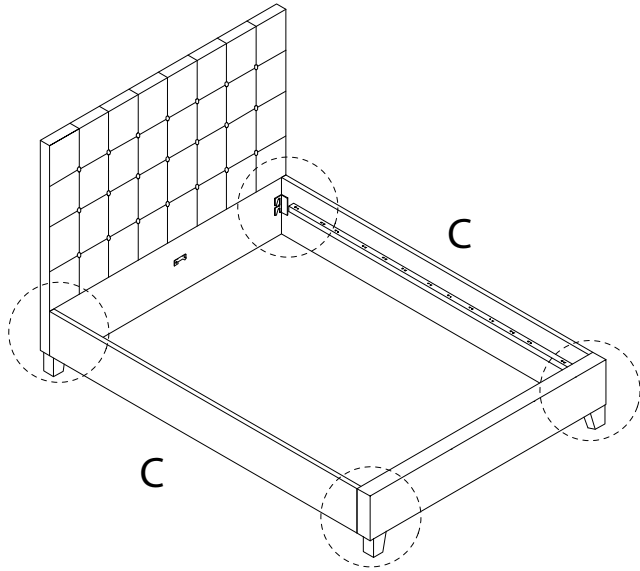
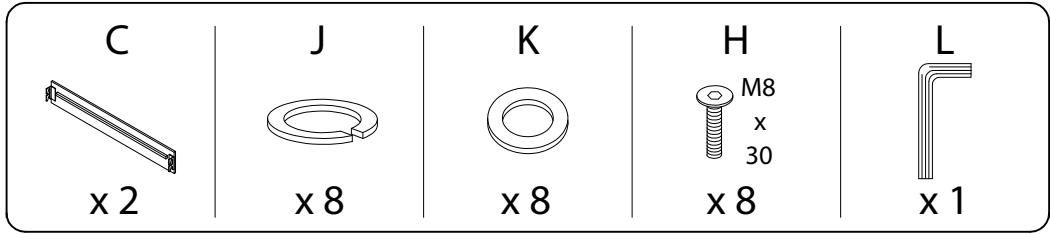
1



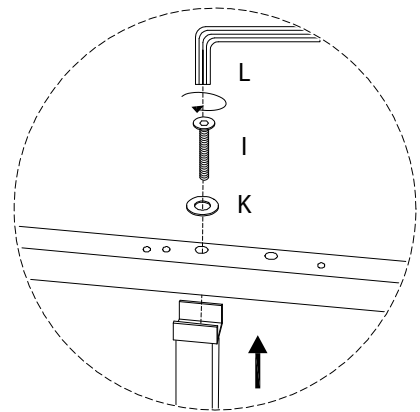
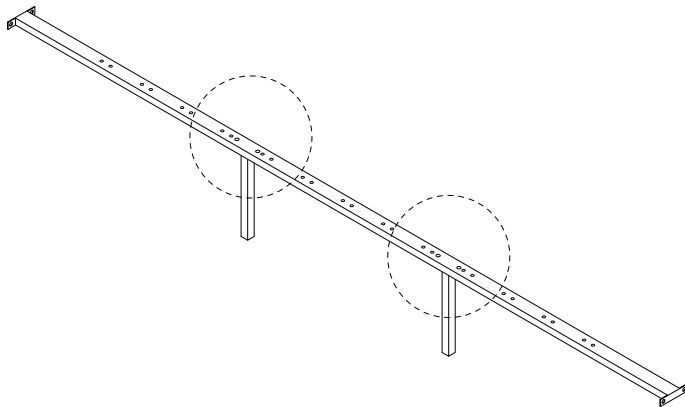
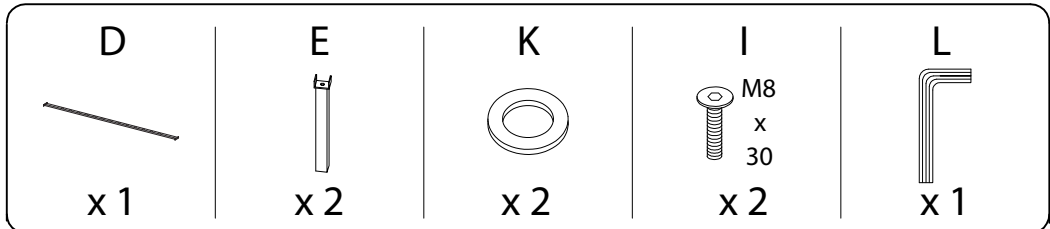
2



3

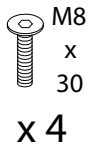


4

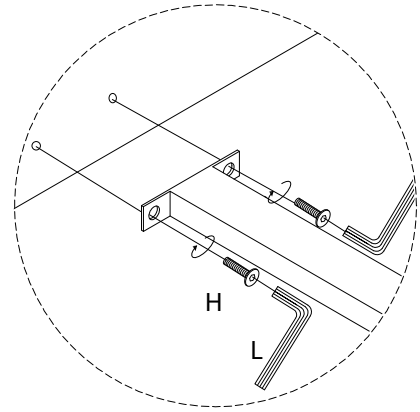
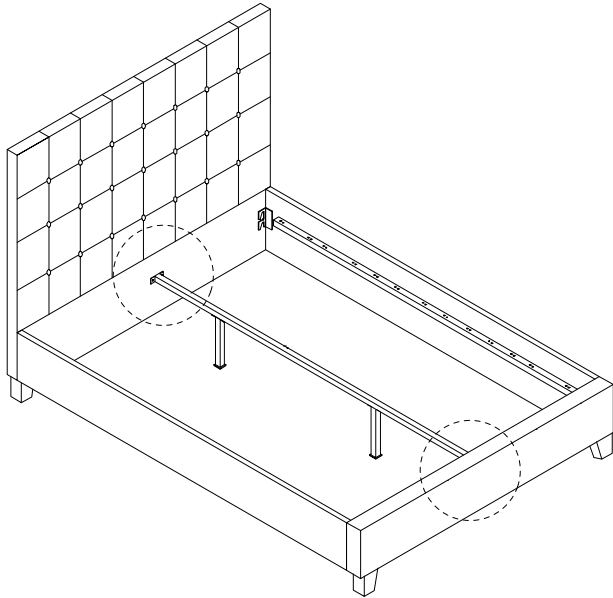
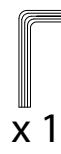


5

H

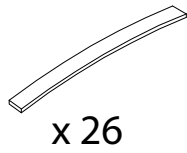


L



6

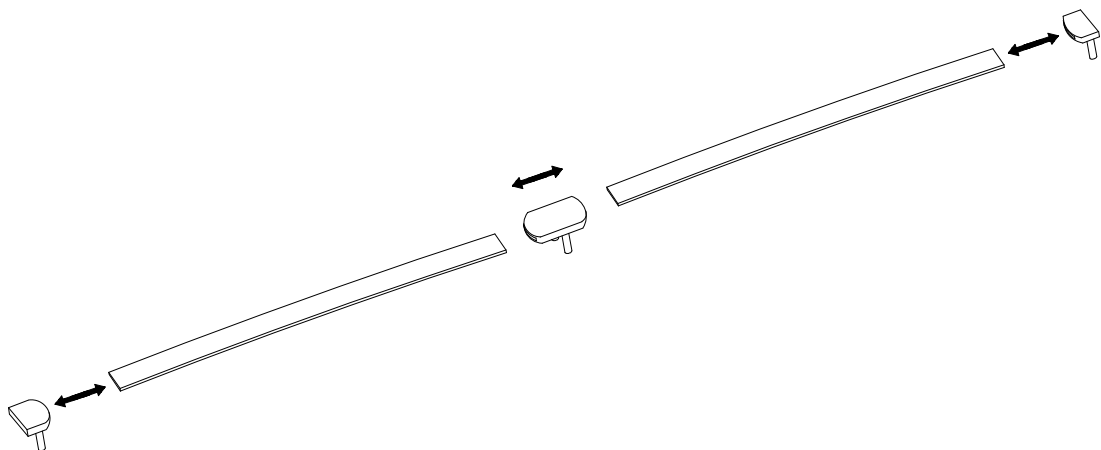
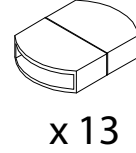
F



N



M



7

