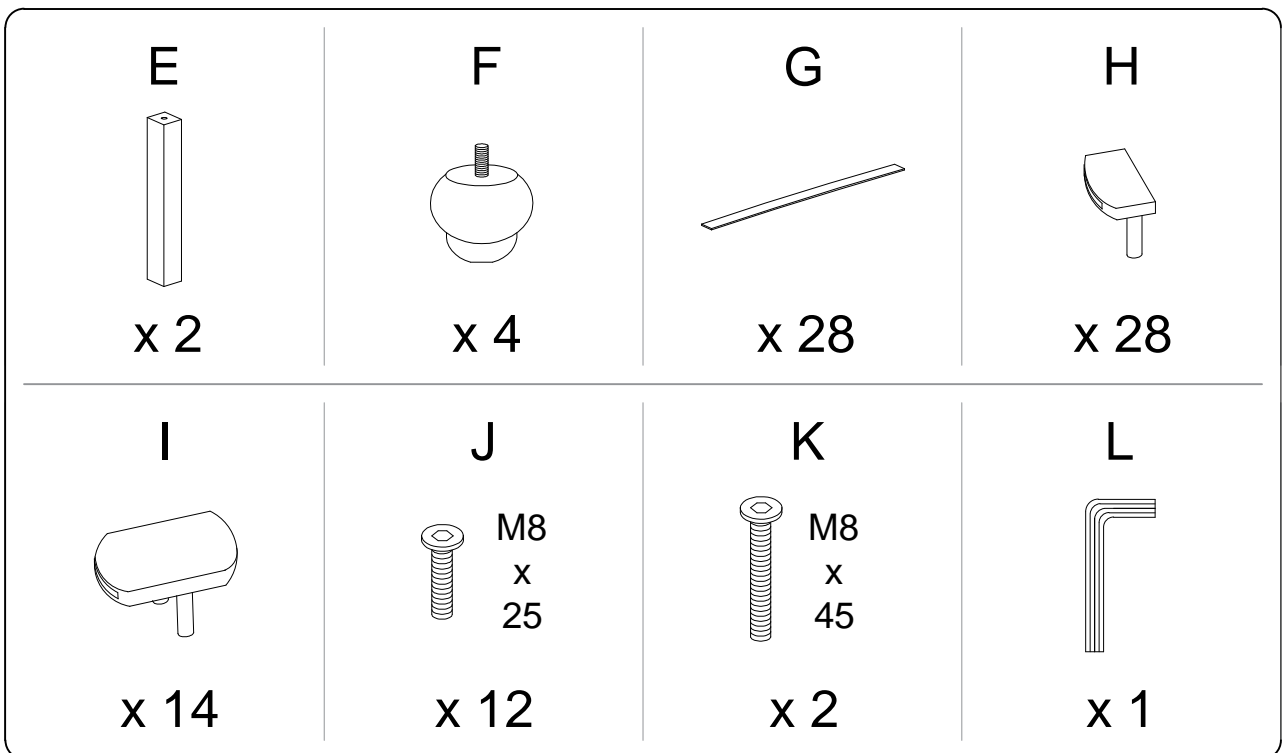
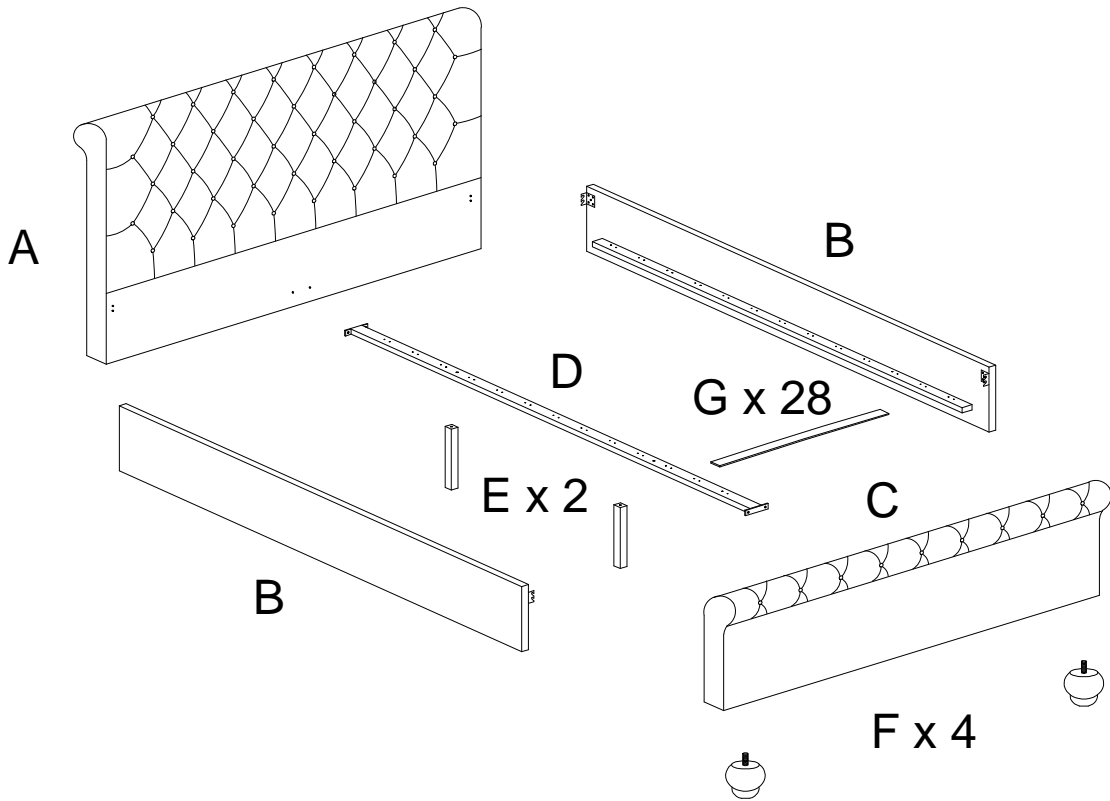
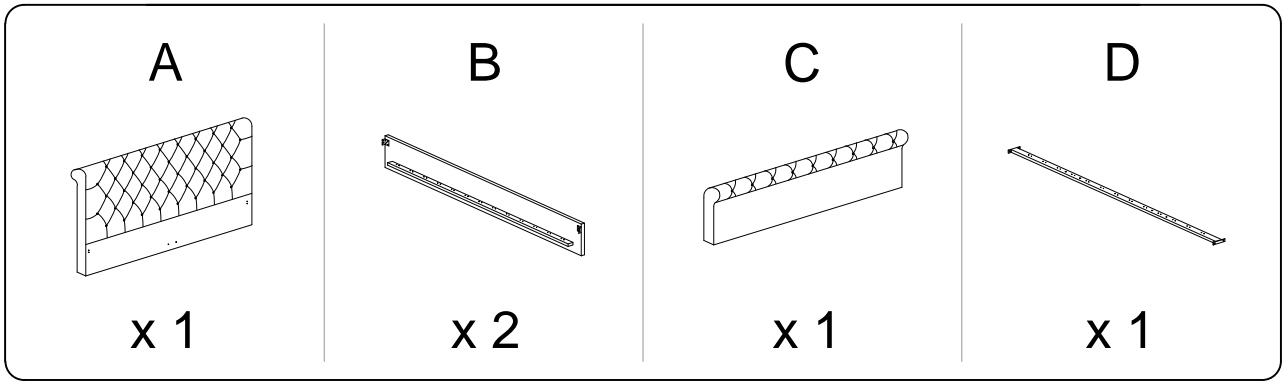
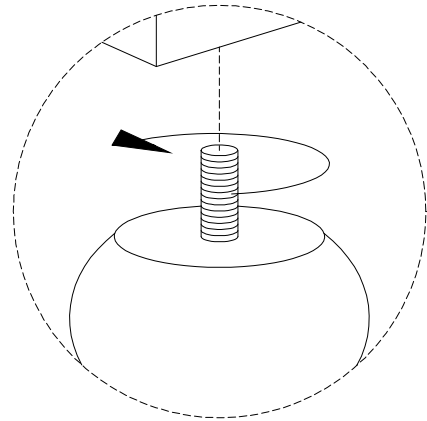
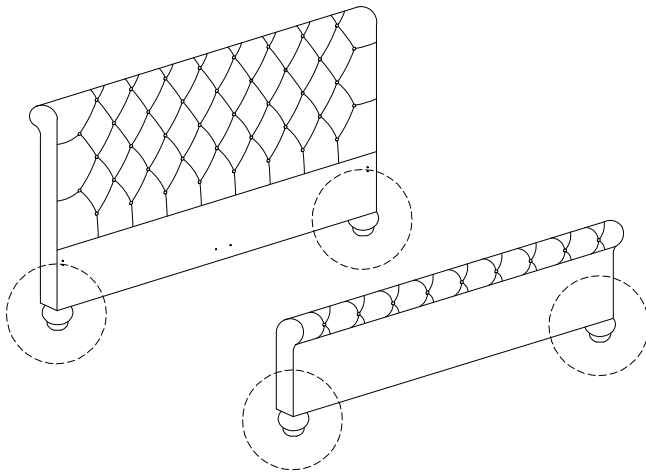
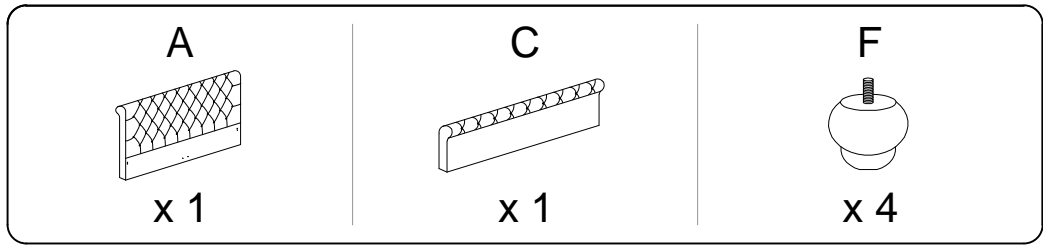


Diagram illustrating assembly steps and safety warnings:

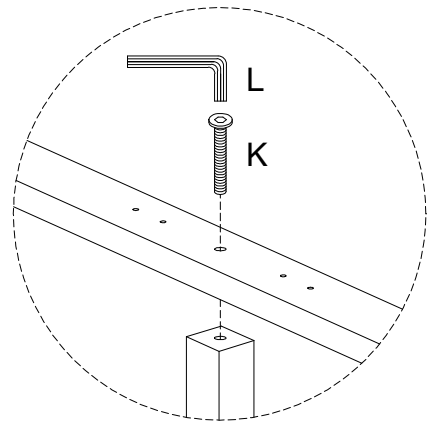
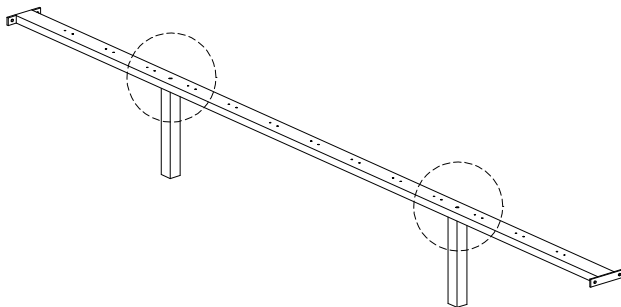
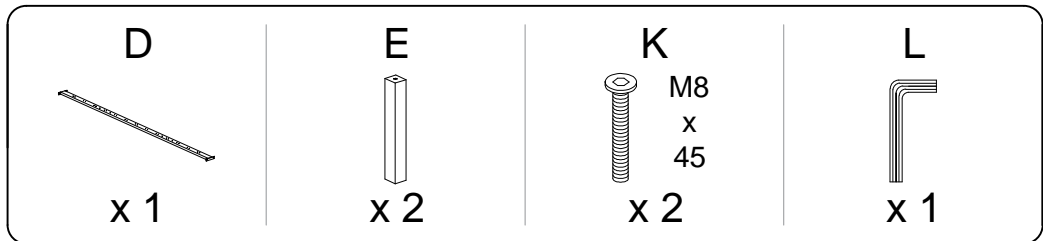
- Step 1:** Shows an L-shaped metal bracket being inserted into a hole. A power drill is shown with a diagonal line through it, indicating that a power drill should not be used for this step. A warning triangle with an exclamation mark is positioned to the right.
- Step 2:** Shows a rectangular block being placed on a surface. A diagonal line through the block indicates that it should not be placed on an uneven or soft surface. A warning triangle with an exclamation mark is positioned to the right.
- Time:** A clock icon is shown, indicating a time requirement of **45'**.
- Personnel:** A person icon is shown, indicating that **2** people are required for assembly.



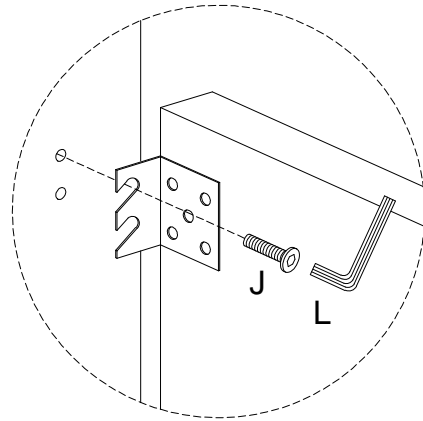
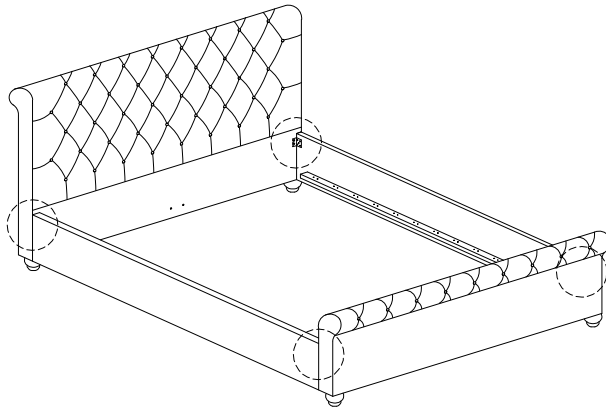
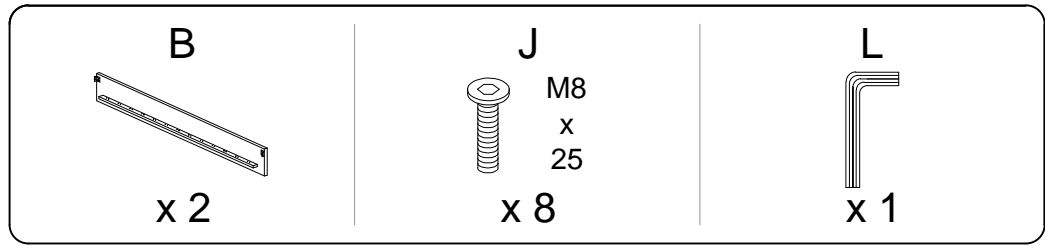
1



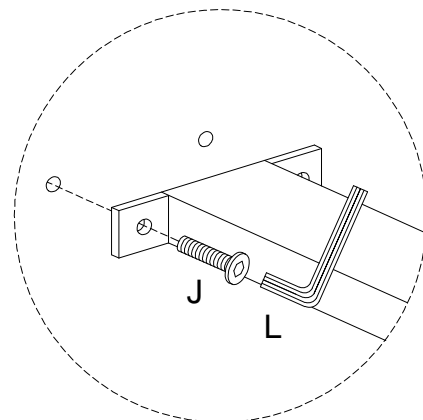
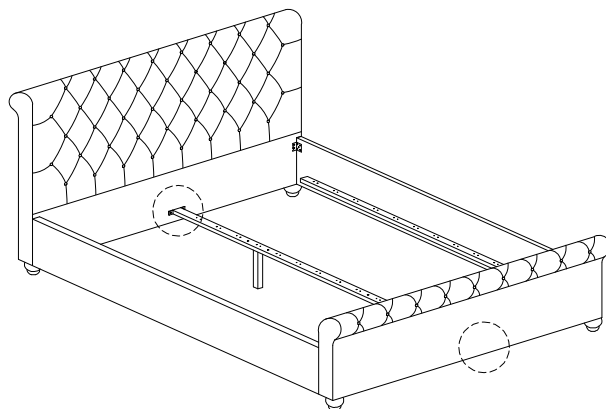
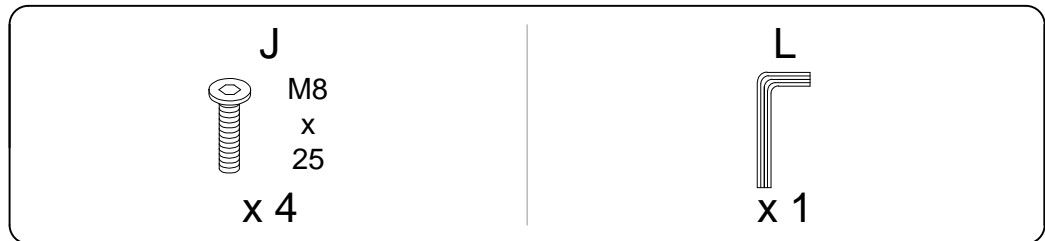
2



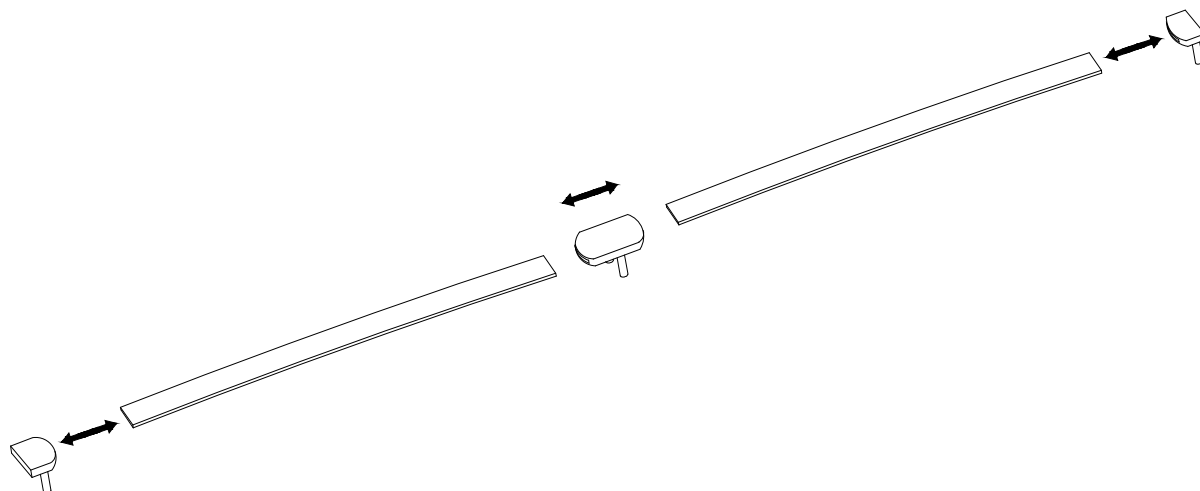
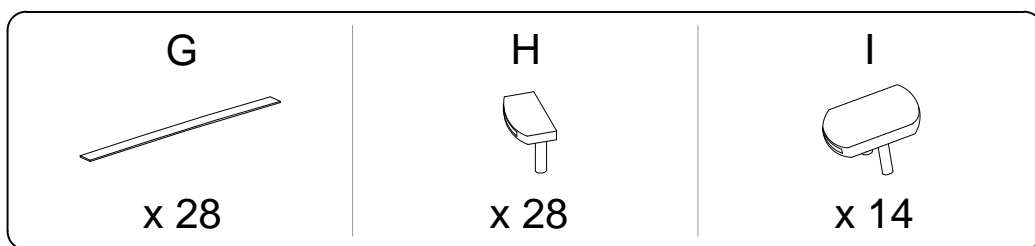
3



4



5



6

