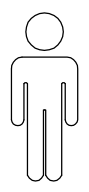
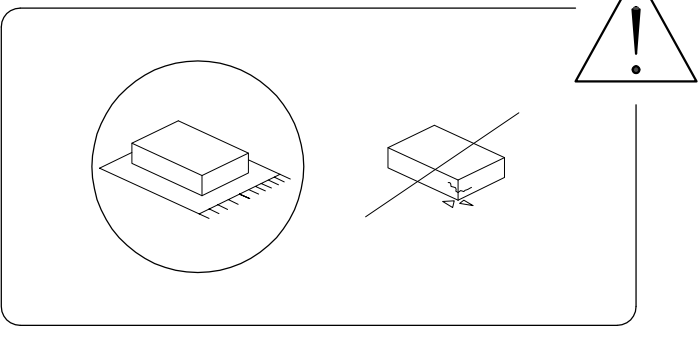
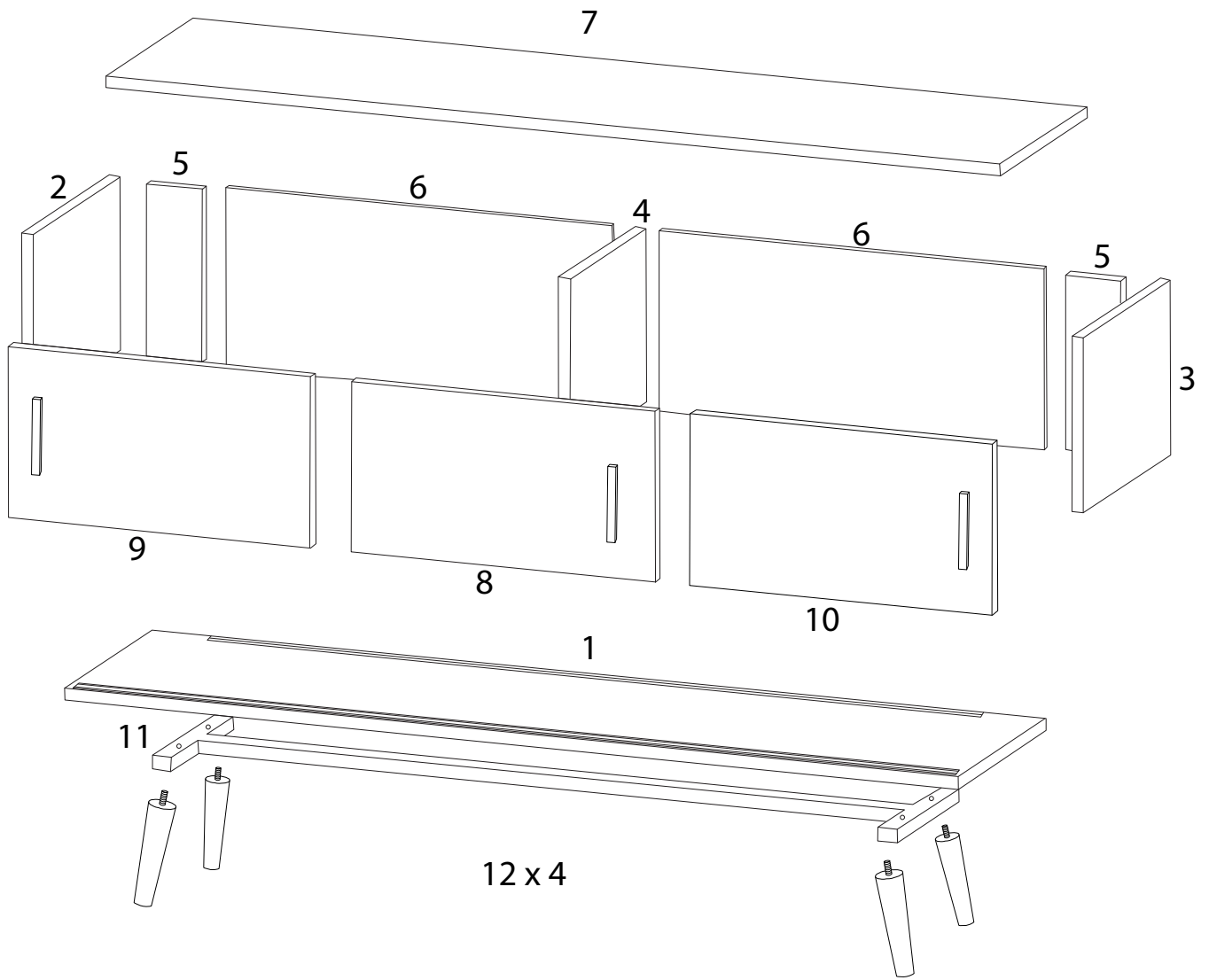

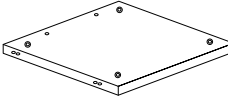
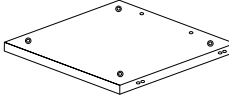
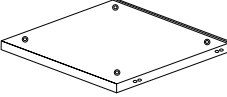



40'

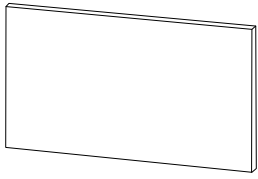


1



<p>1</p>  <p>x 1</p>	<p>2</p>  <p>x 1</p>	<p>3</p>  <p>x 1</p>	<p>4</p>  <p>x 1</p>	<p>5</p>  <p>x 2</p>
---	---	---	--	---

6



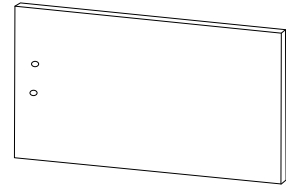
x 2

7



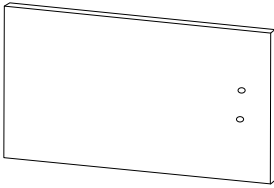
x 1

8



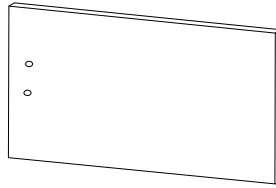
x 1

9



x 1

10



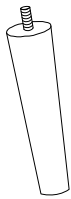
x 1

11



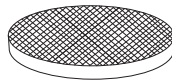
x 1

12



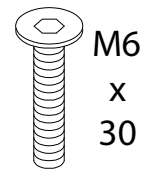
x 4

A



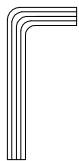
x 4

B



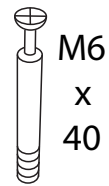
x 6

C



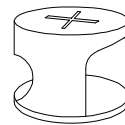
x 1

D



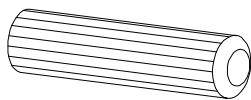
x 24

E



x 24

F



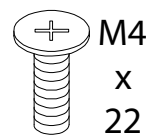
x 12

G



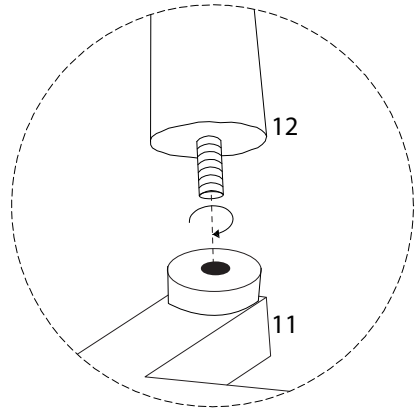
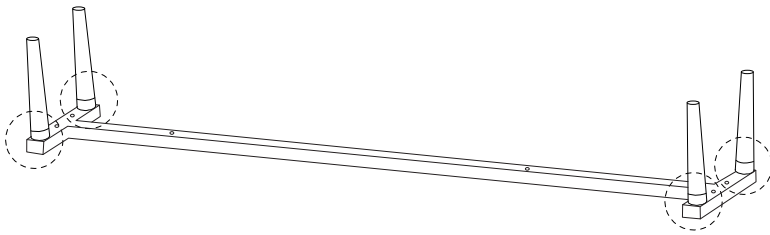
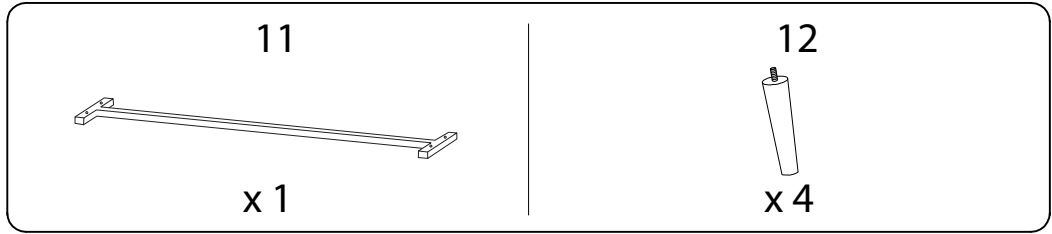
x 3

H

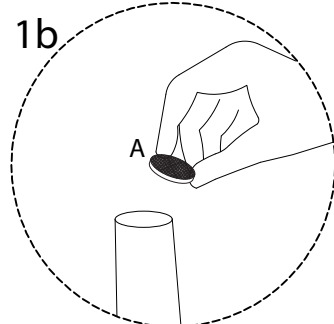
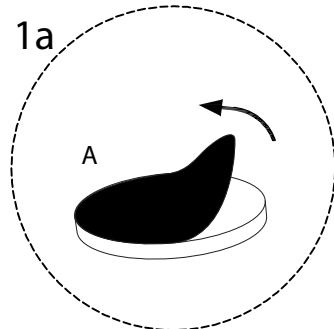
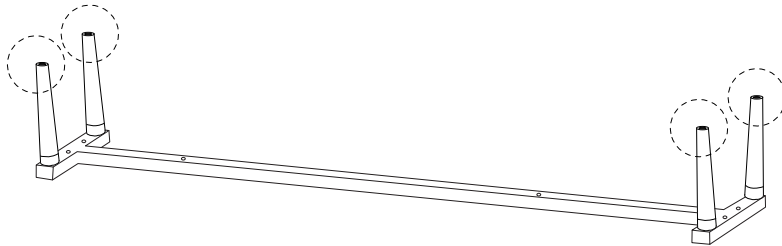
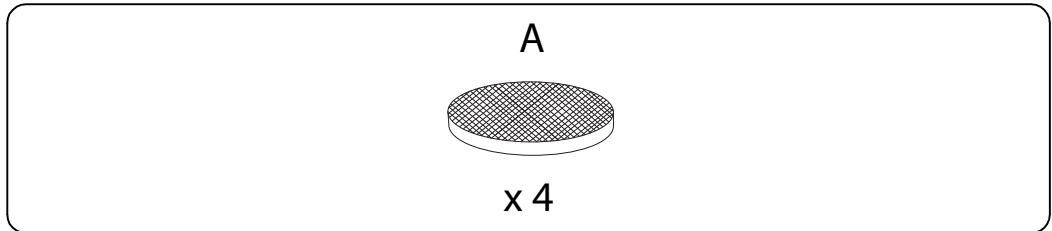


x 6

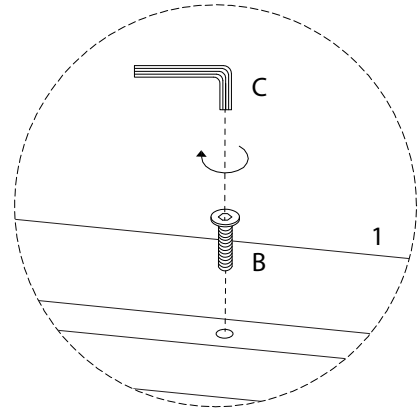
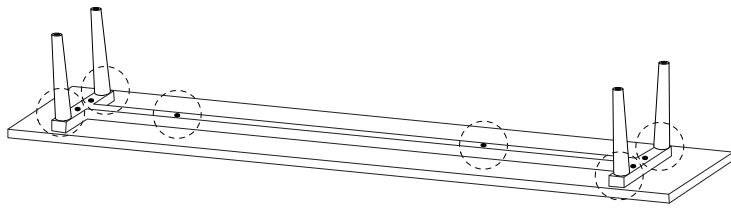
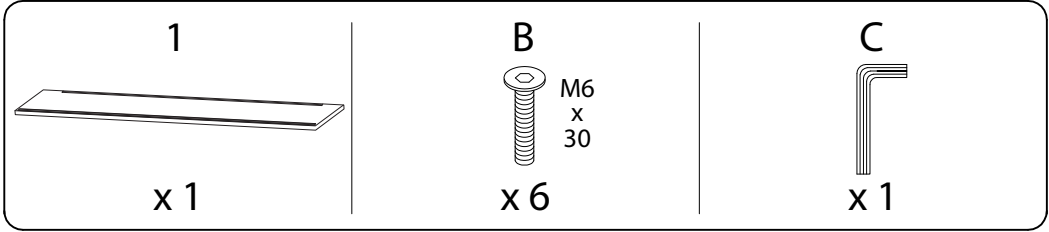
1



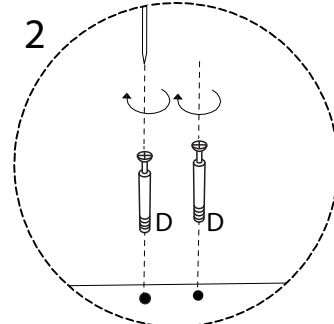
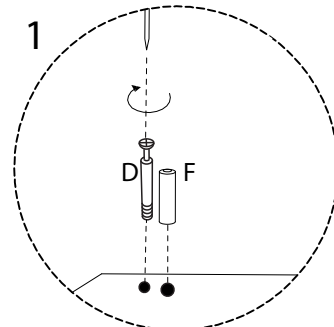
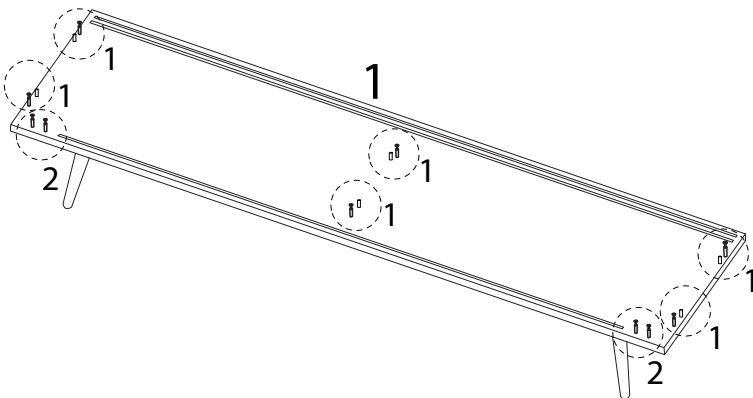
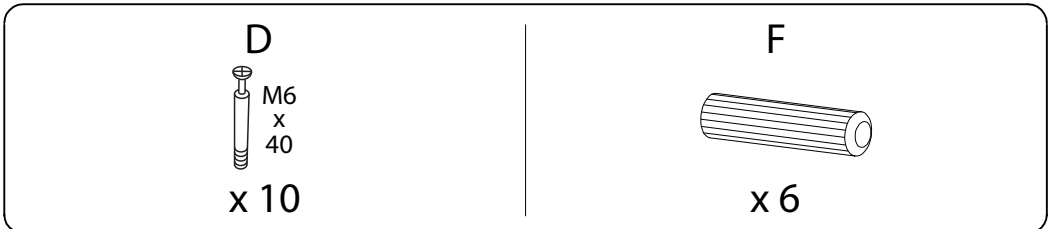
2



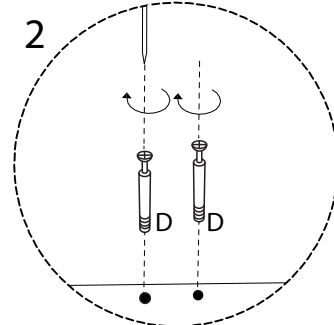
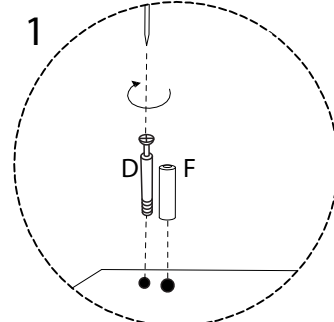
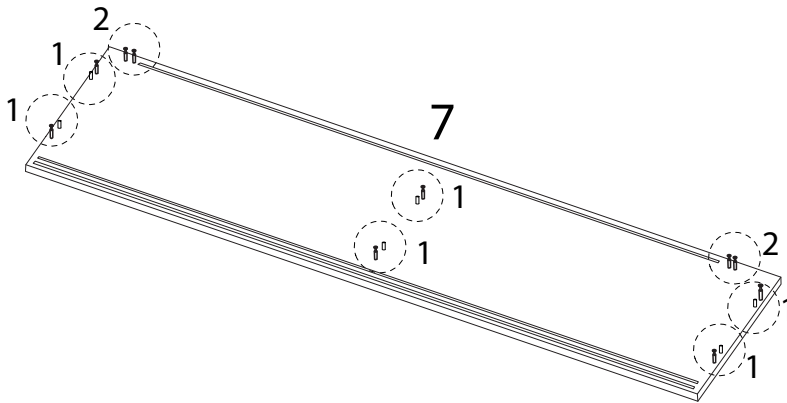
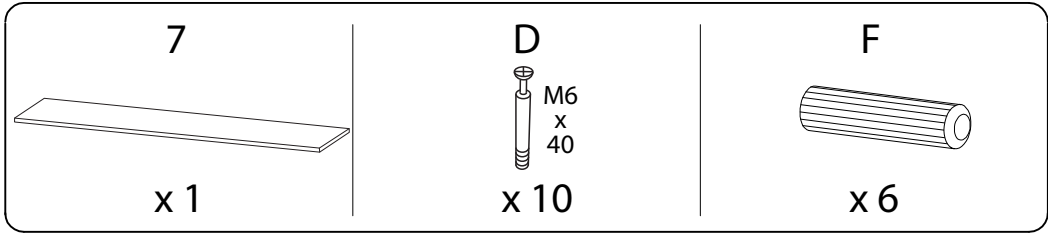
3



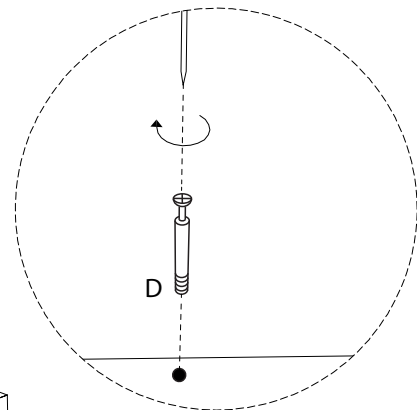
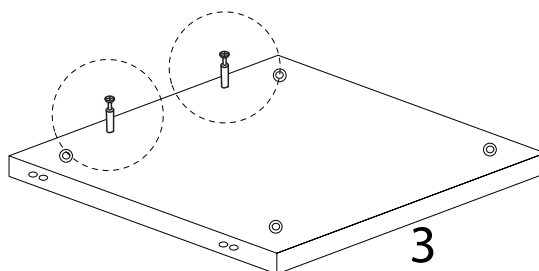
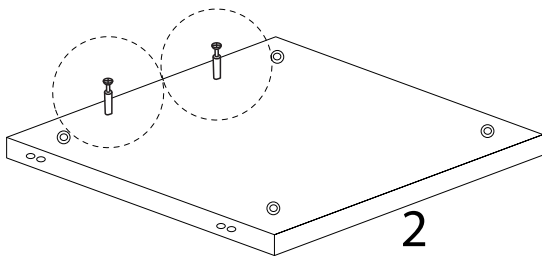
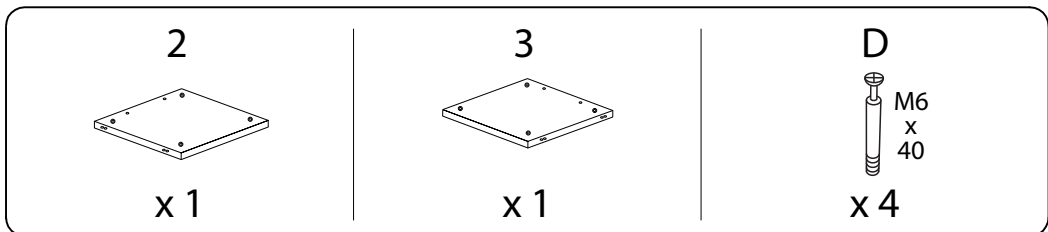
4



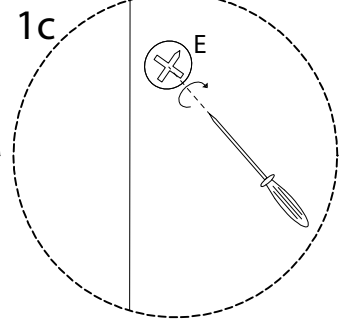
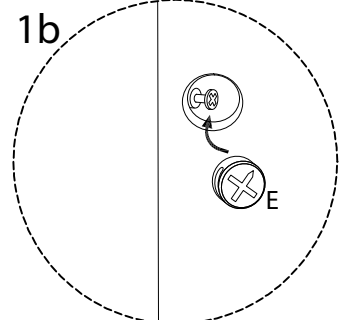
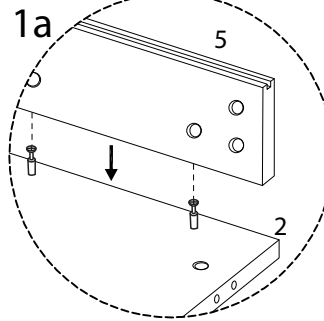
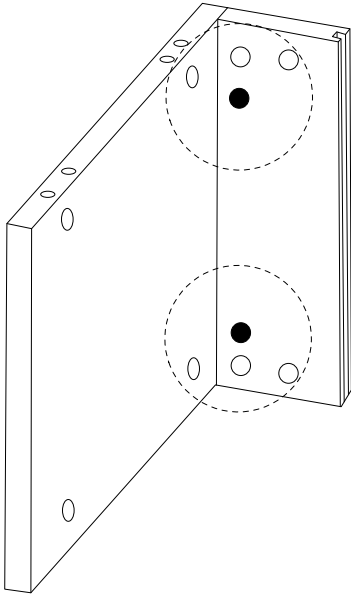
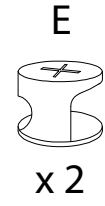
5



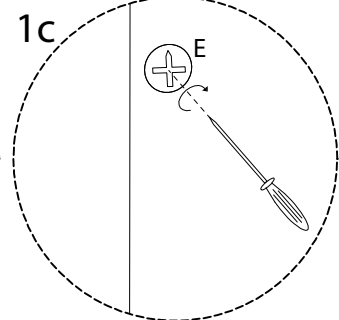
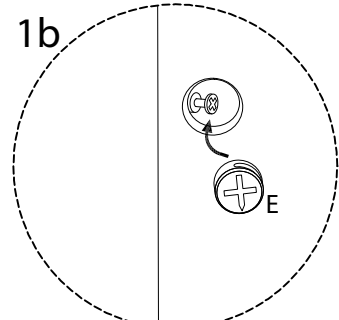
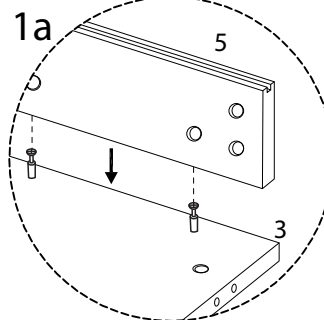
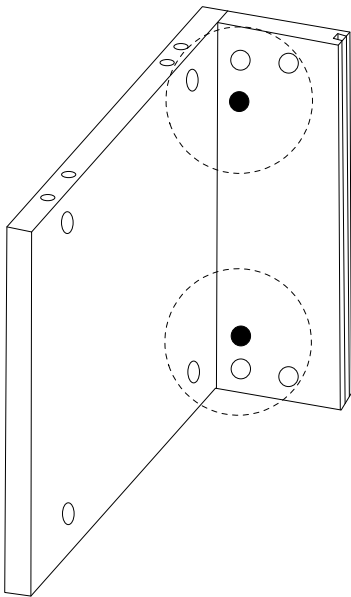
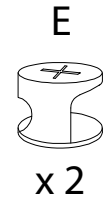
6



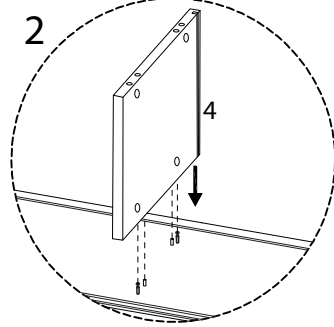
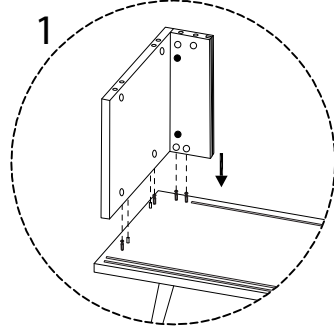
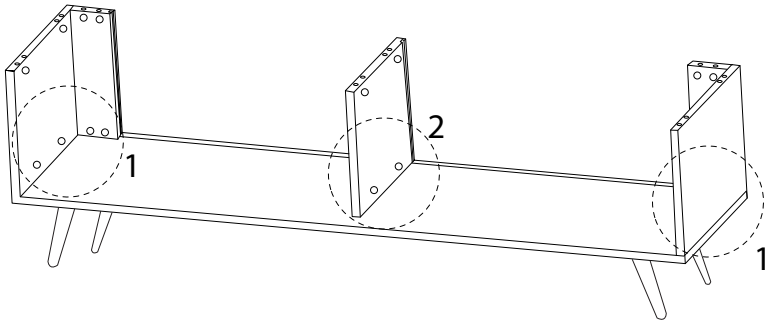
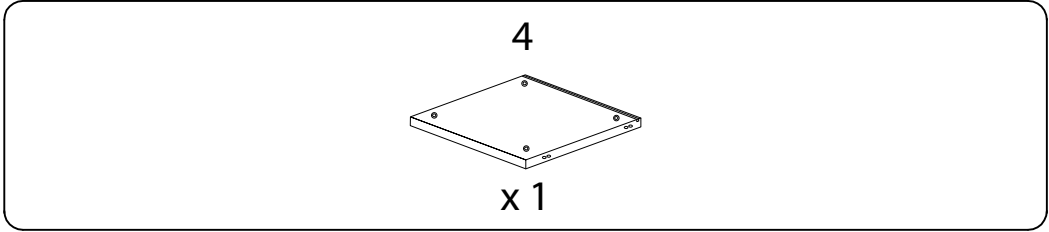
7



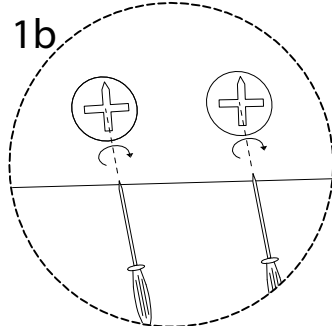
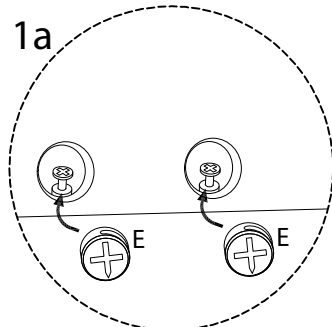
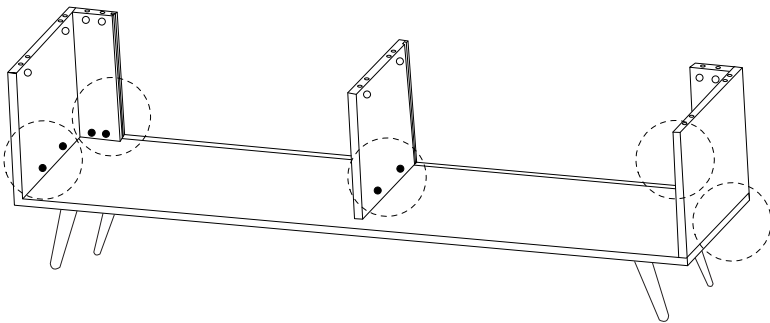
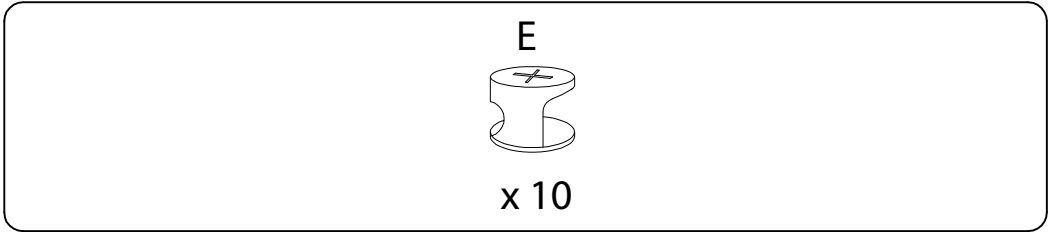
8



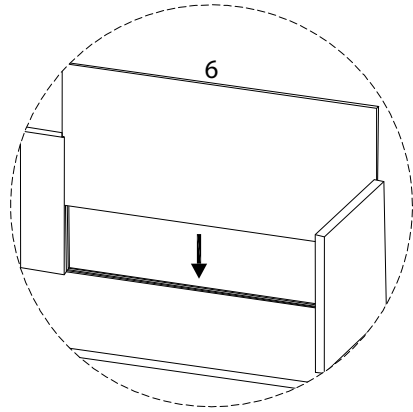
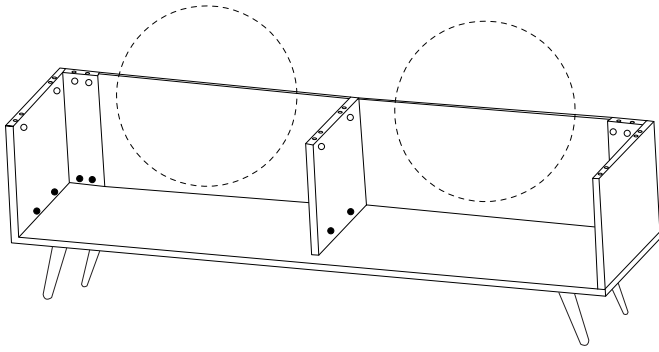
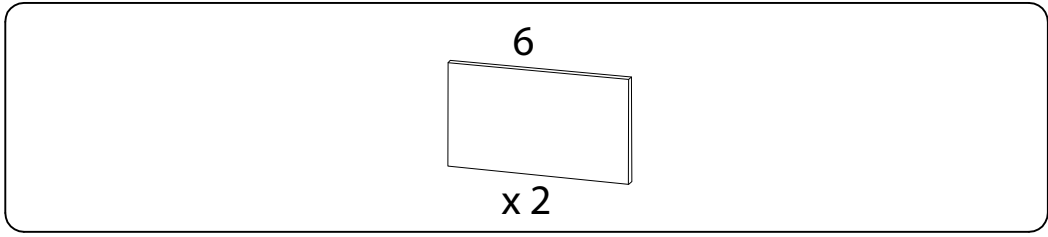
9



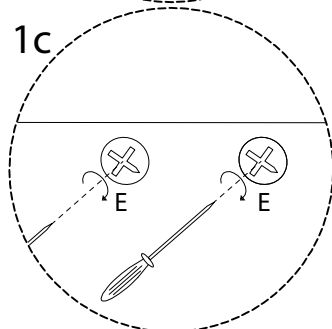
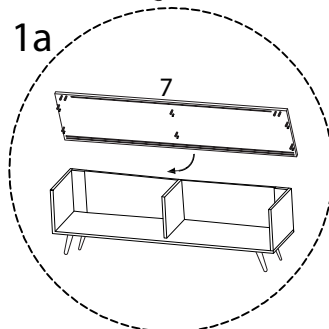
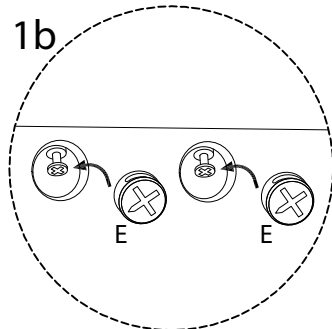
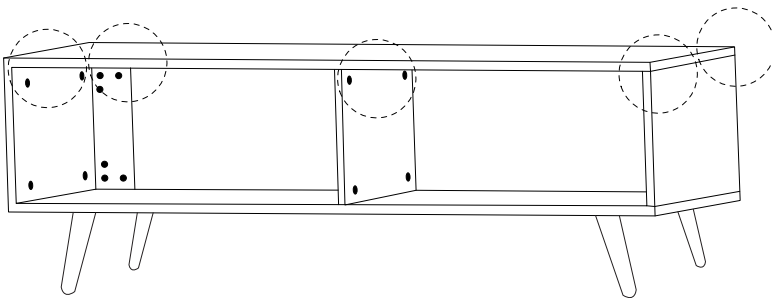
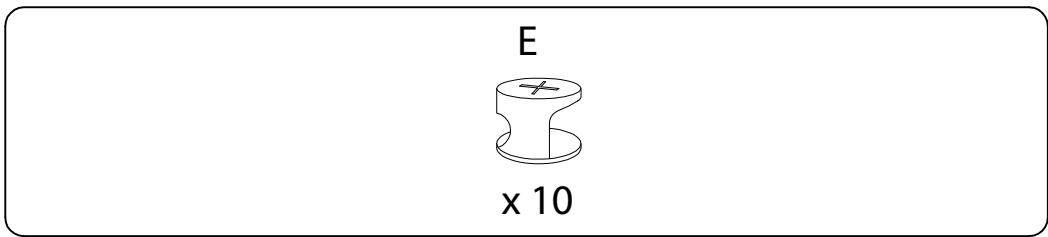
10



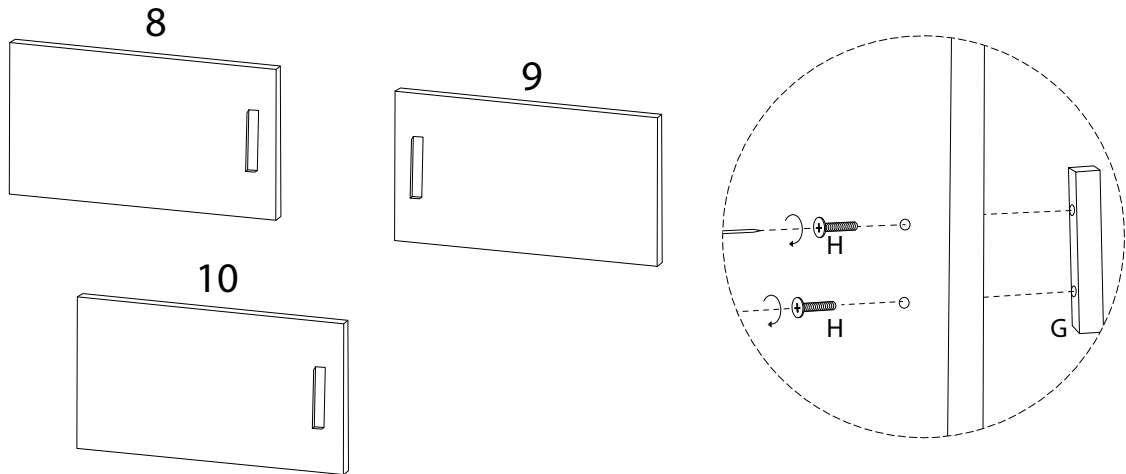
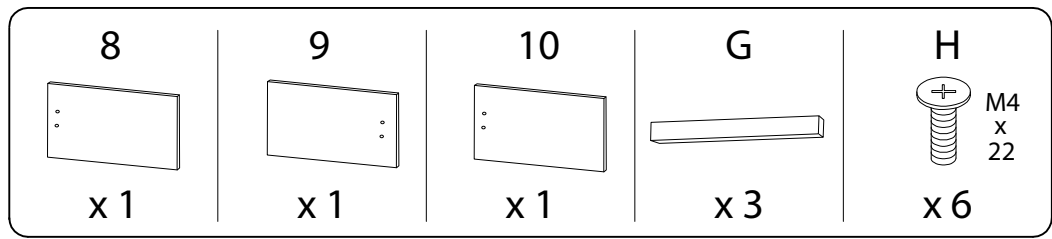
11



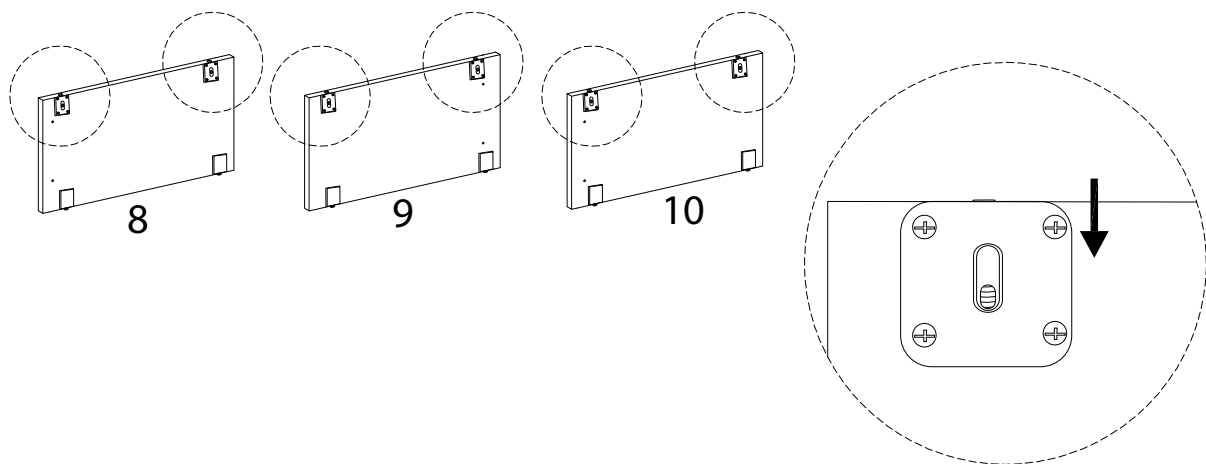
12



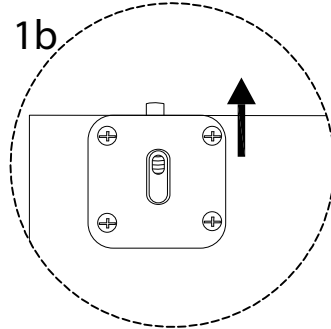
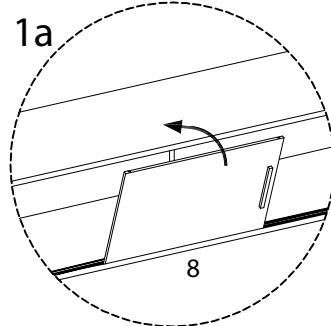
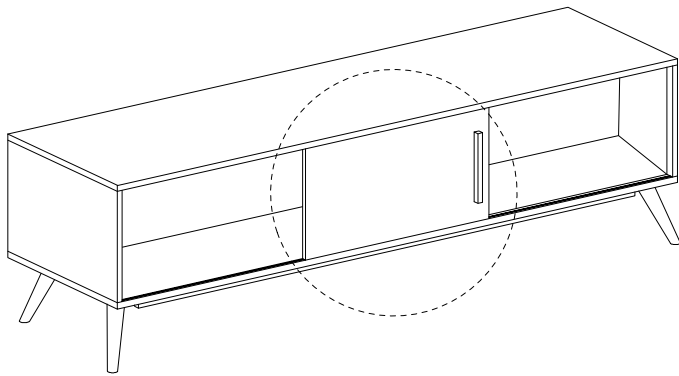
13



!



14



15

