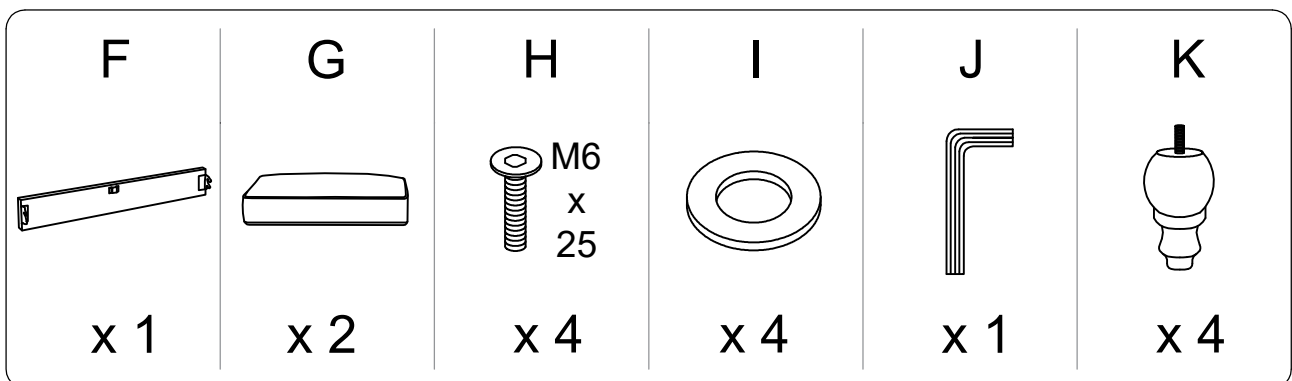
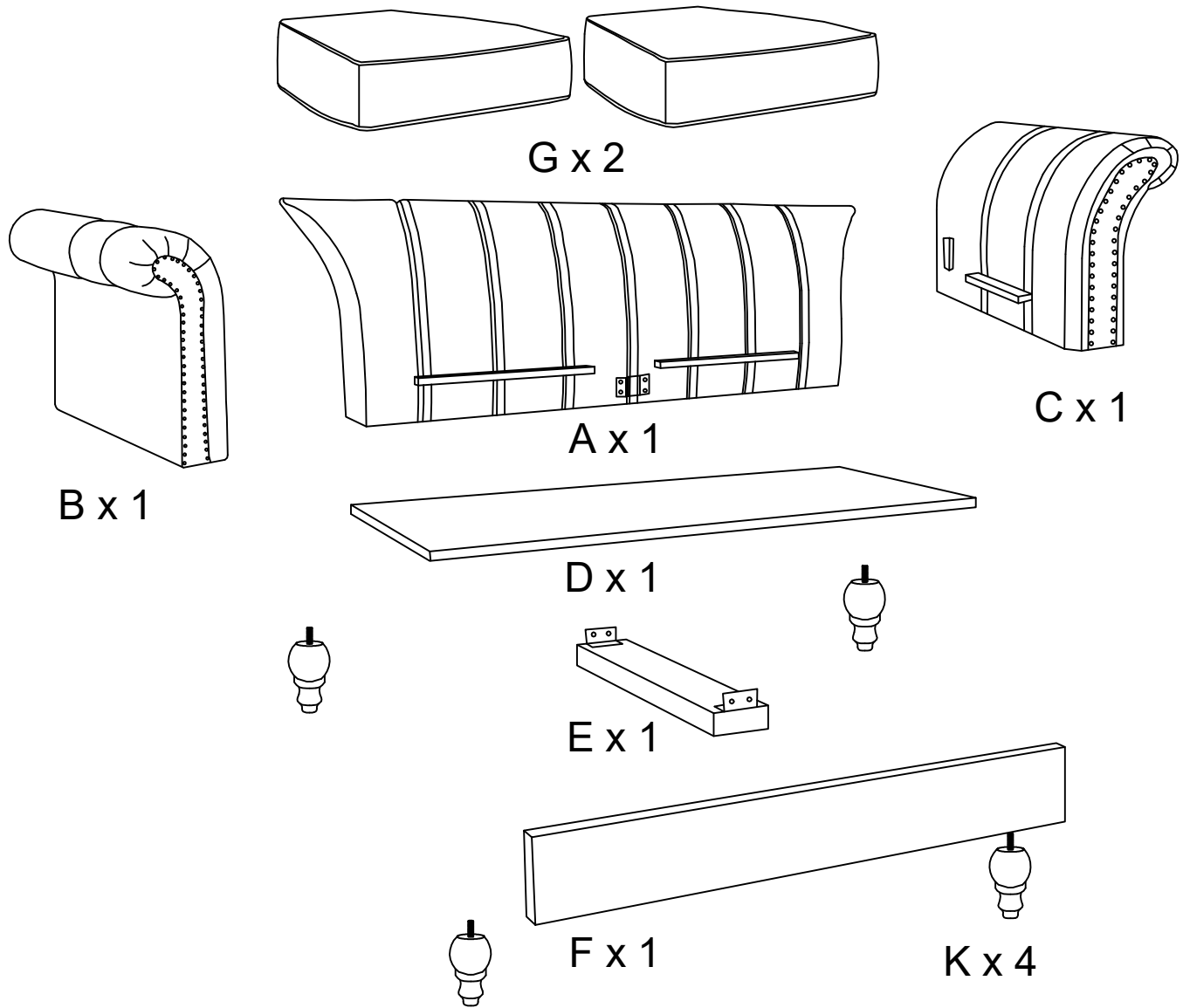
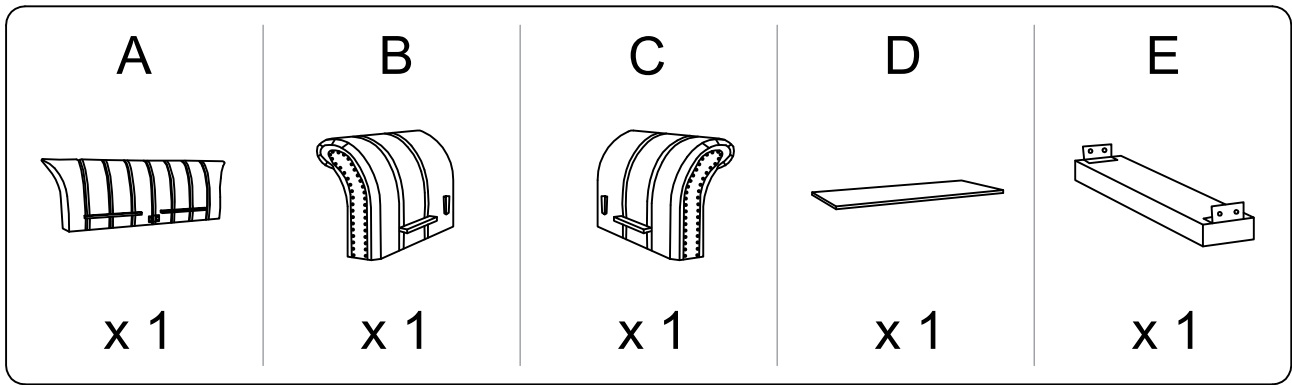
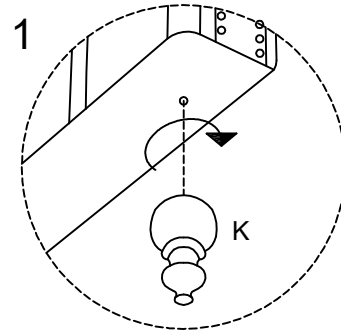
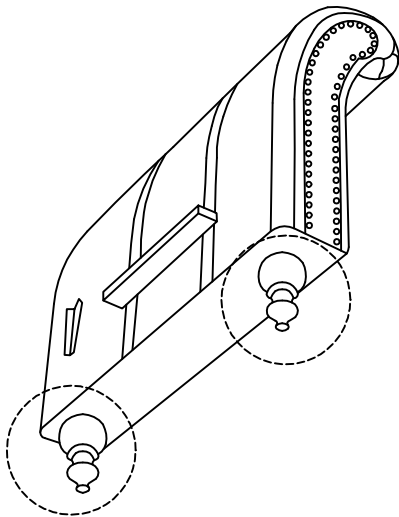
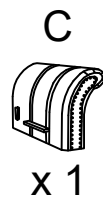
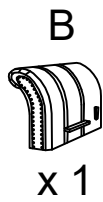


Assembly instructions for the sofa:

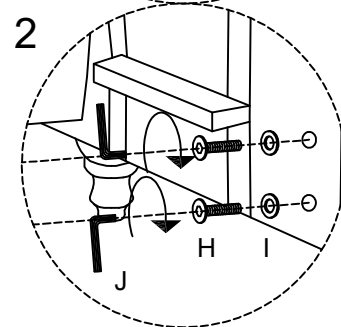
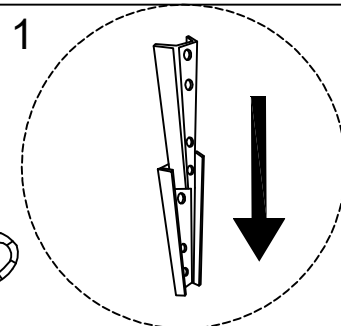
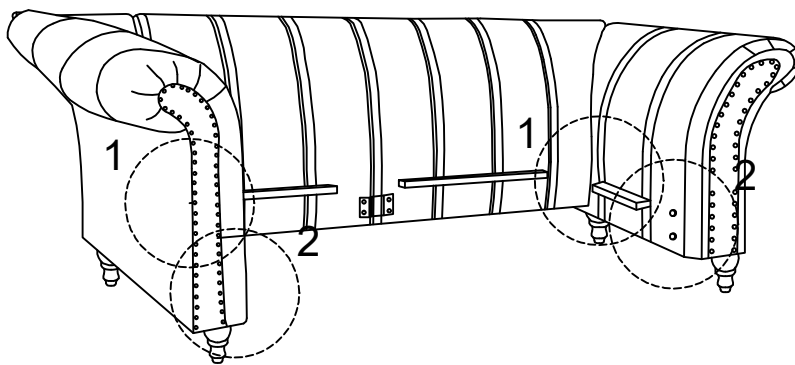
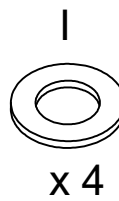
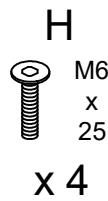
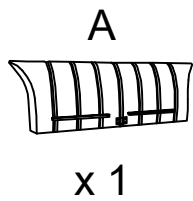
- Warning:** Do not use a power drill. Use an Allen key (shown in a circle) to tighten the backrest.
- Warning:** Do not place the sofa on a soft surface like a rug. Place it on a hard, flat surface (shown in a circle).
- Time:** 30 minutes.
- Personnel:** 2 people.



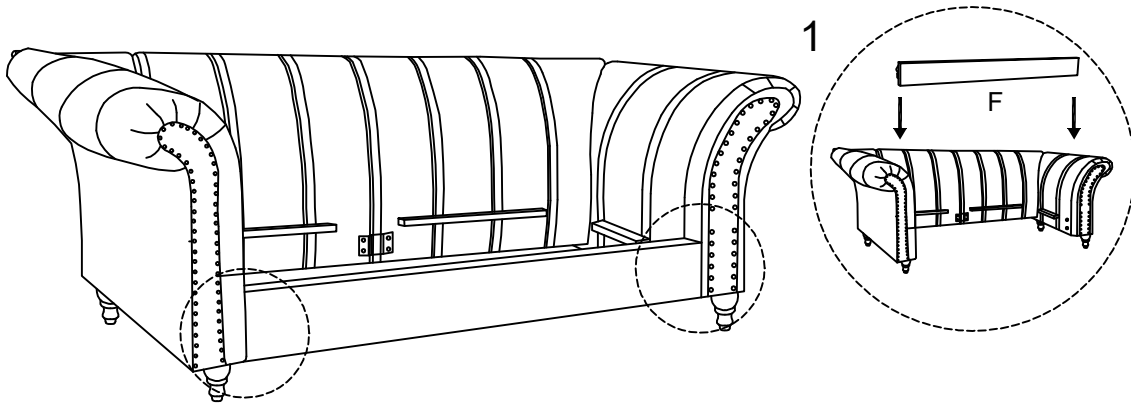
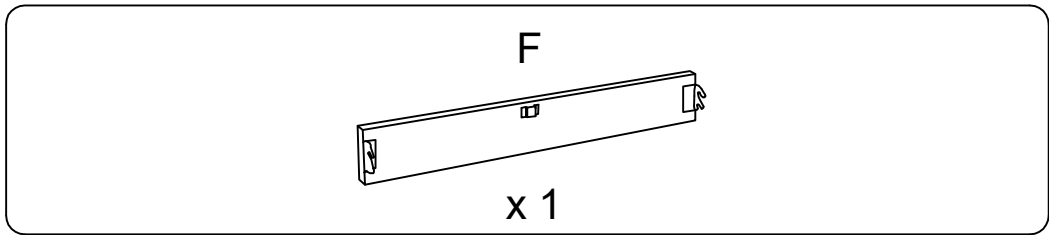
1



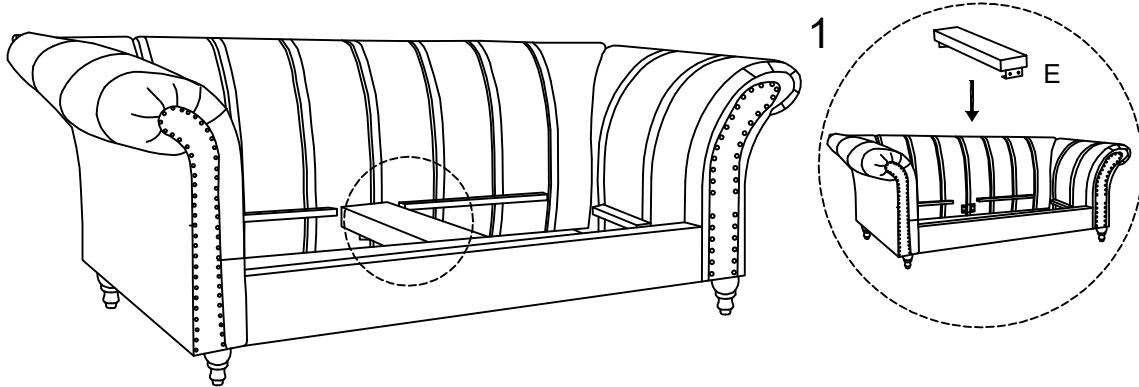
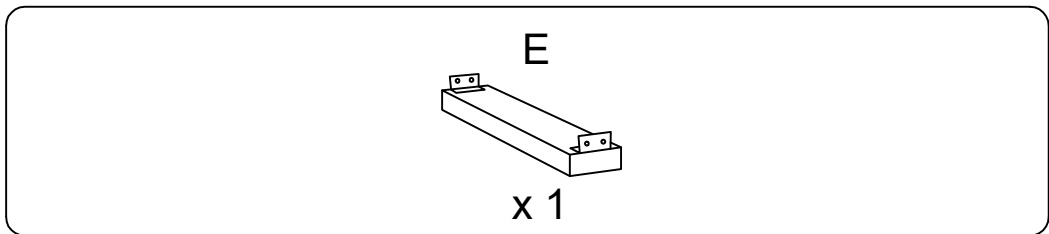
2



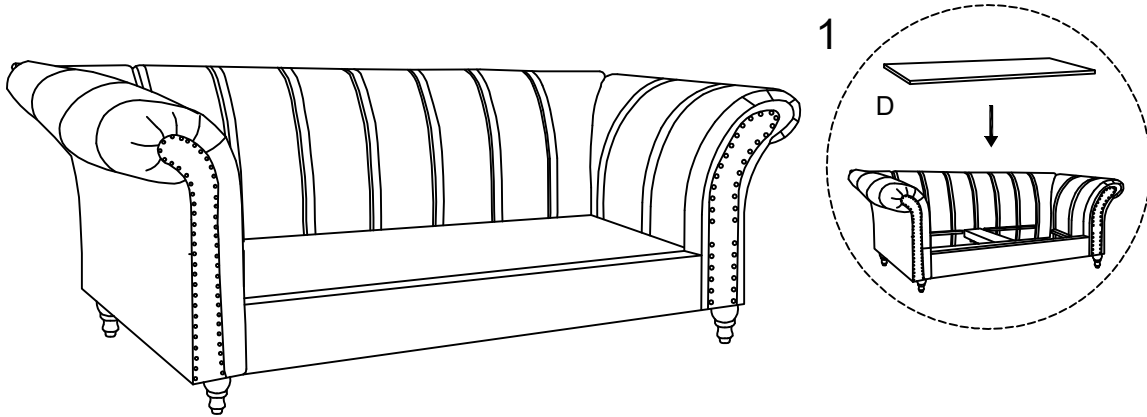
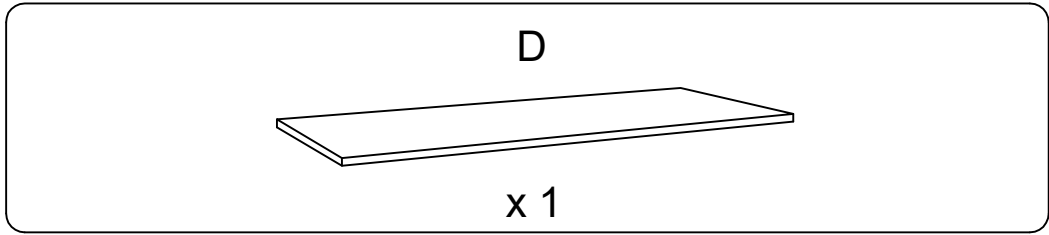
3



4



5



6

