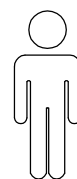
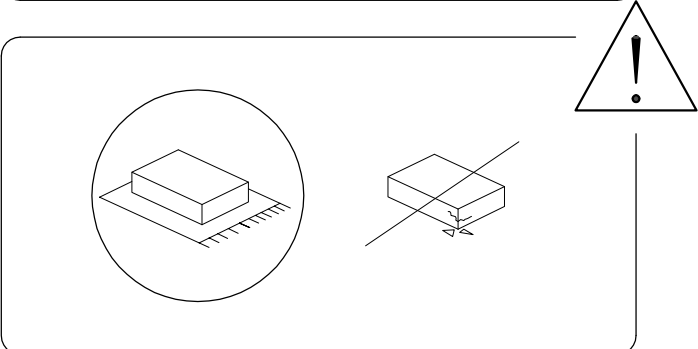
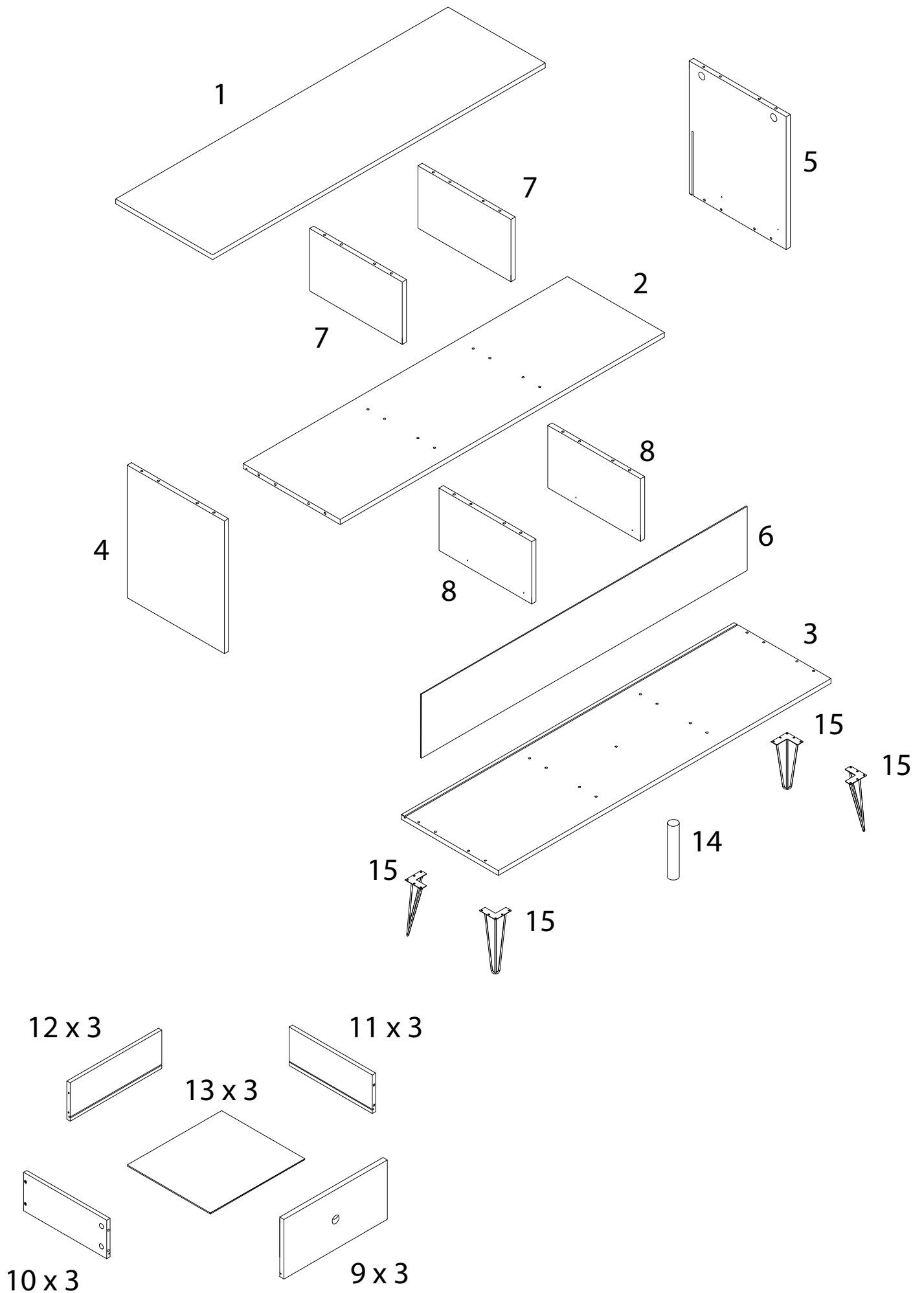


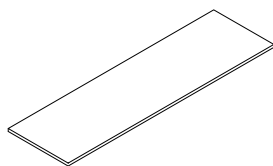
120'



1

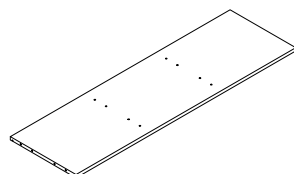


1



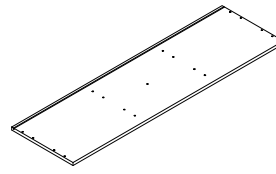
x 1

2



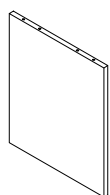
x 1

3



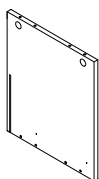
x 1

4



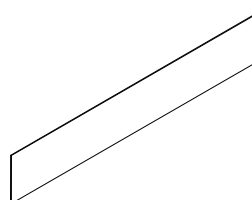
x 1

5



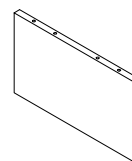
x 1

6



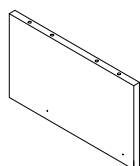
x 1

7



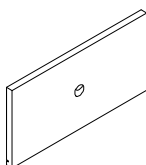
x 2

8



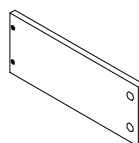
x 2

9



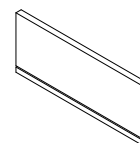
x 3

10



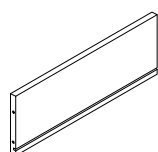
x 3

11



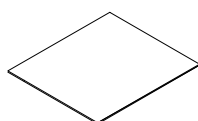
x 3

12



x 3

13



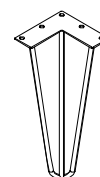
x 3

14



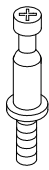
x 1

15



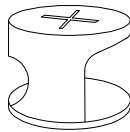
x 4

A



x 28

B



x 28

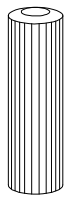
C



M6
x
30

x 20

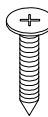
D



M6
x
60

x 4

E



M4
x
40

x 25

F



M3.5
x
12

x 24

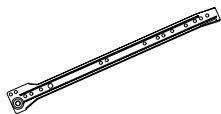
G



M4
x
12

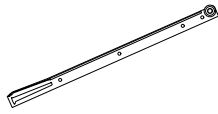
x 20

H1



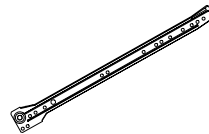
x 3

H2



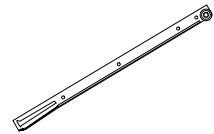
x 3

I1



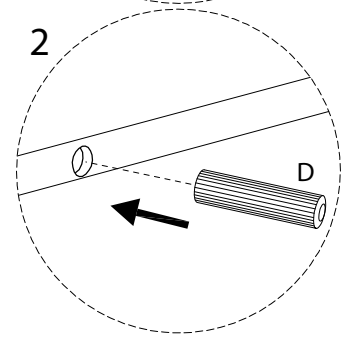
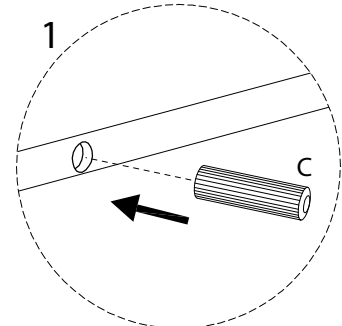
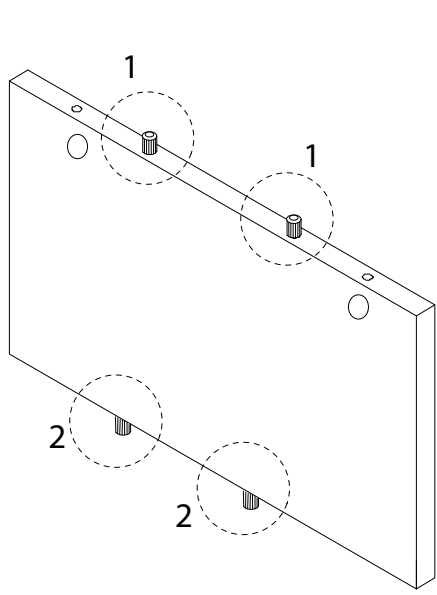
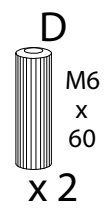
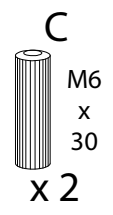
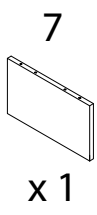
x 3

I2

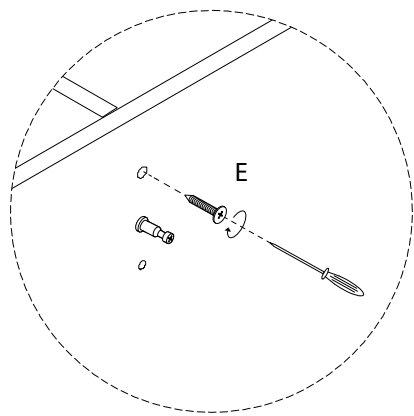
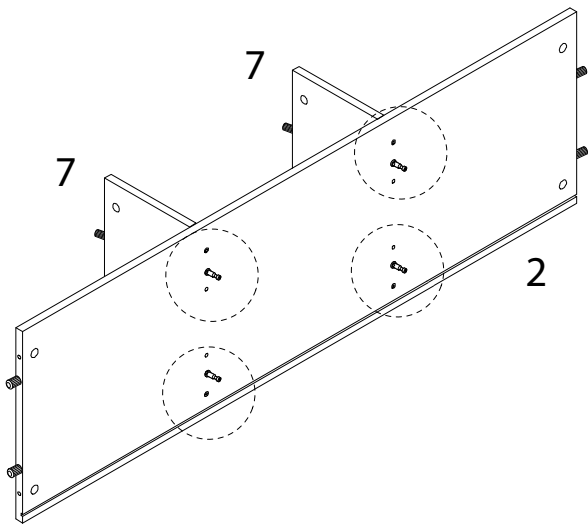
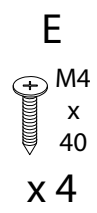


x 3

2 x 2

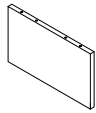


3



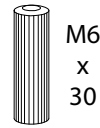
4 x 2

8

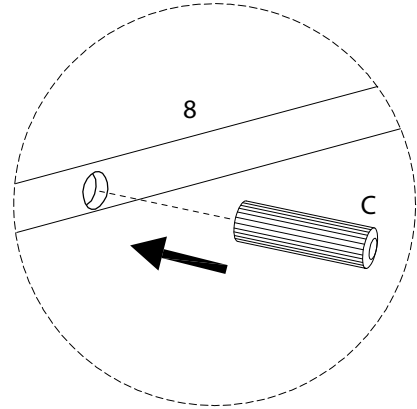
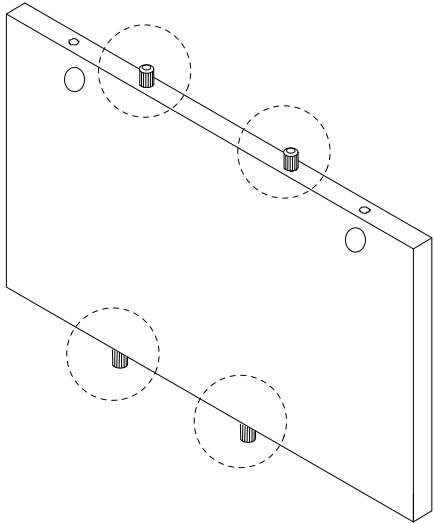


x 1

C

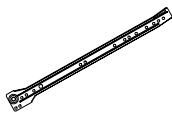


x 4



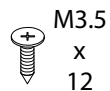
5 x 2

I1

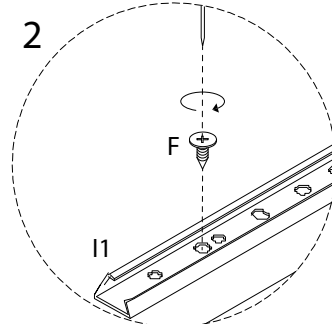
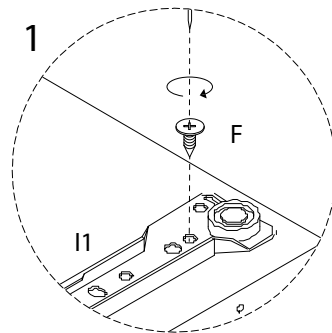
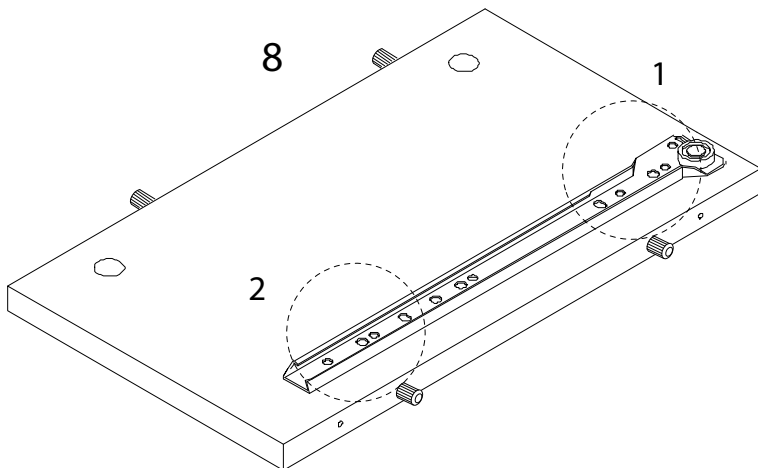


x 1

F



x 2



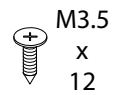
6 x 2

H1

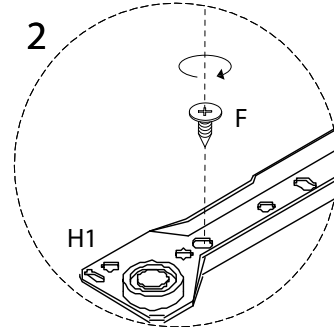
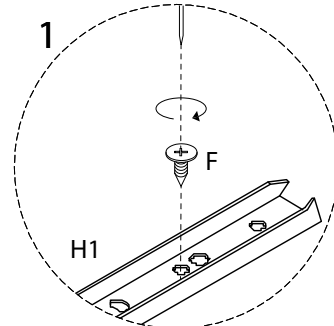
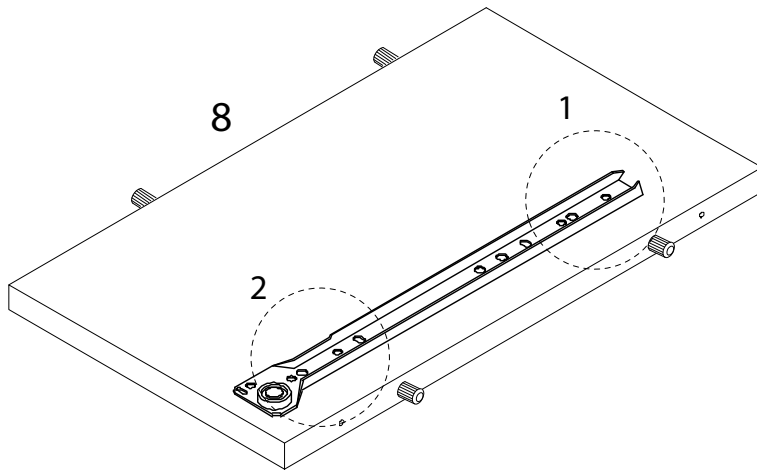


x 1

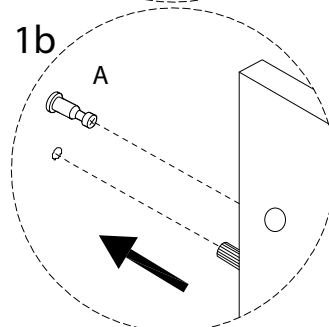
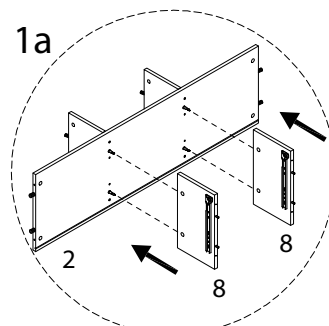
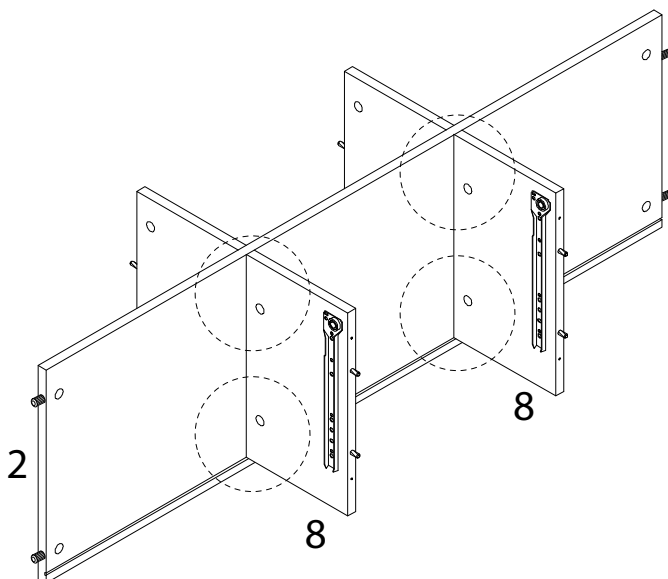
F



x 2



7

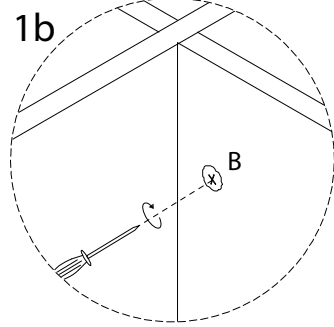
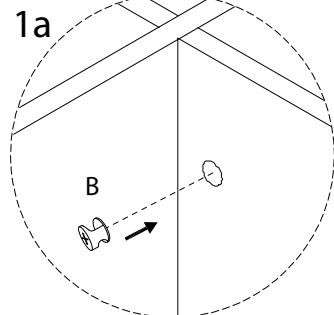
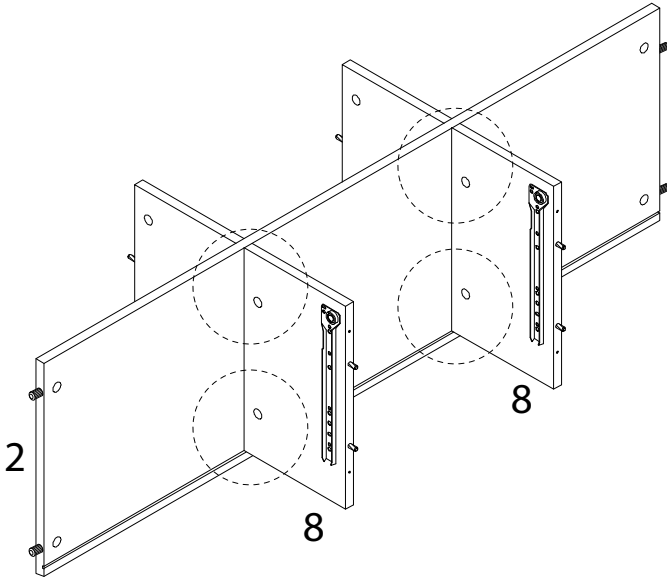


8

B

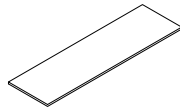


x 4



9

1

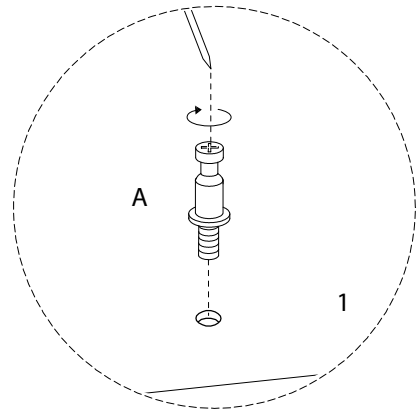
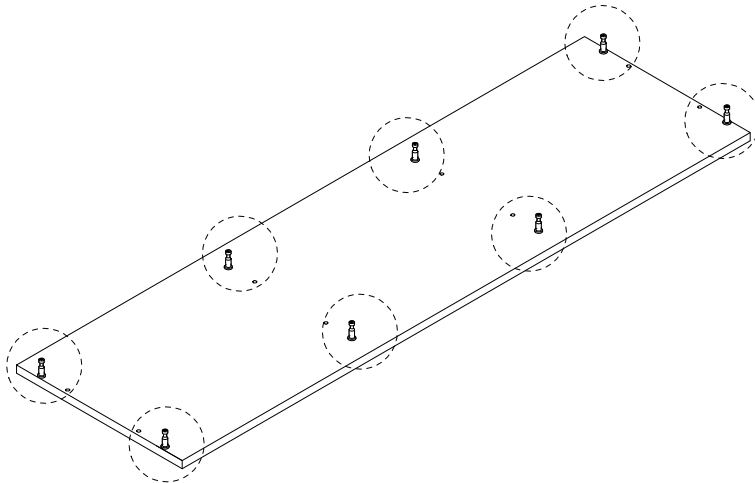


x 1

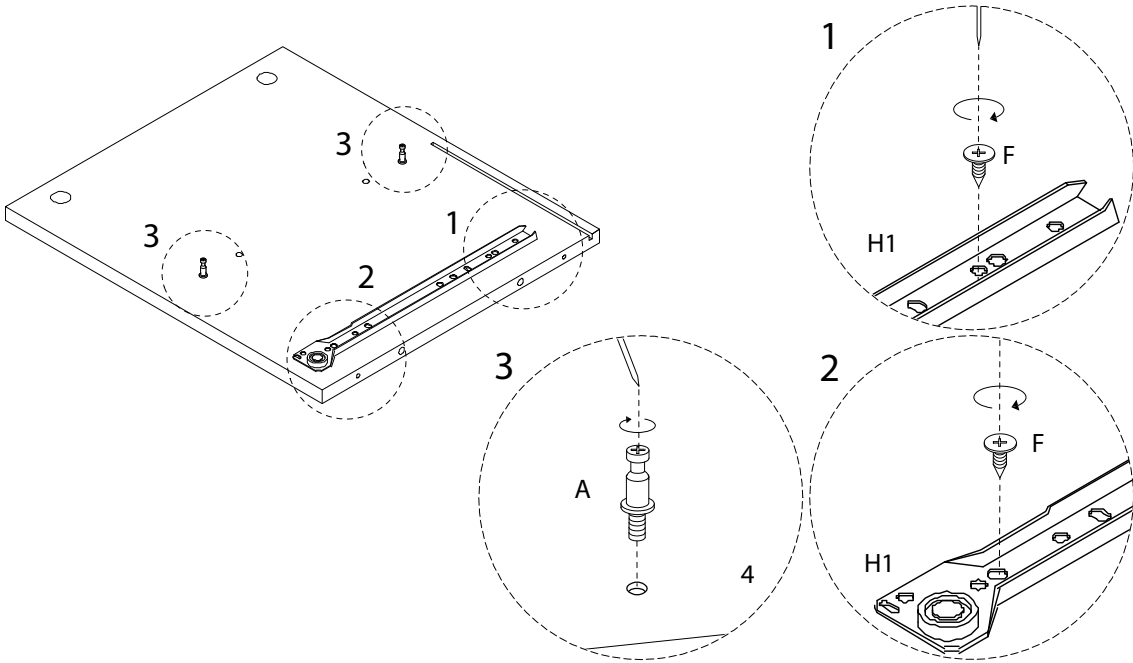
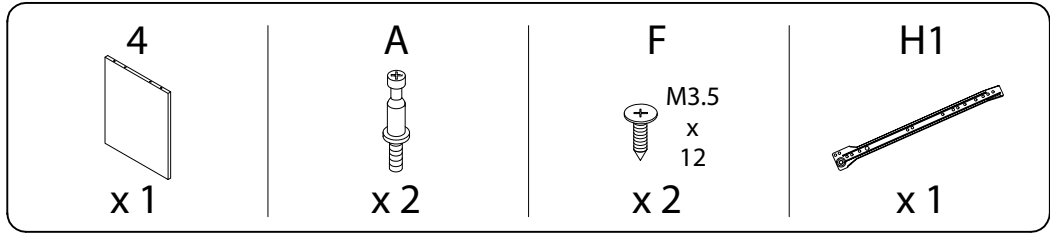
A



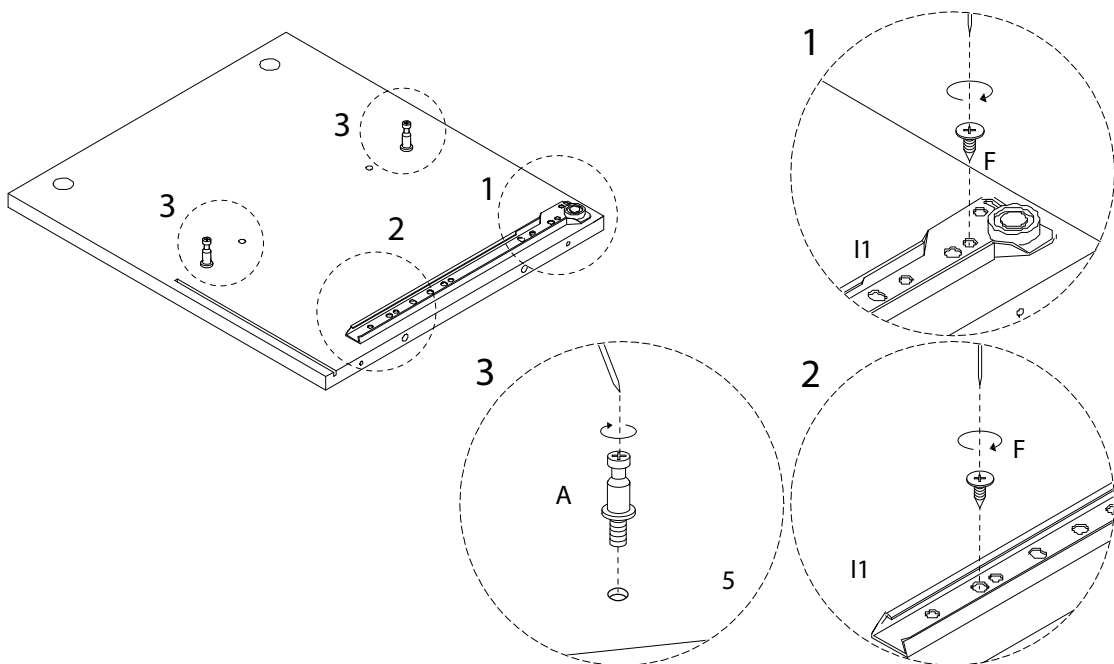
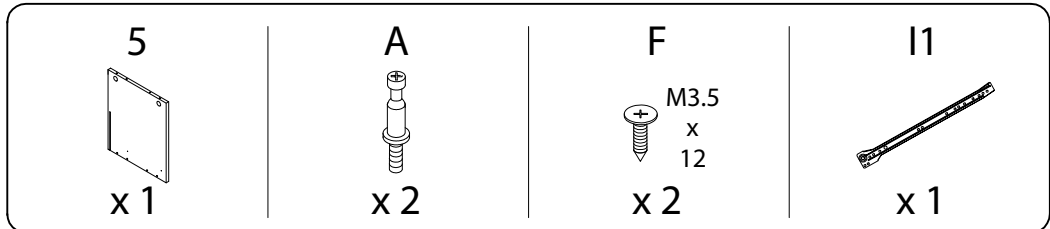
x 8



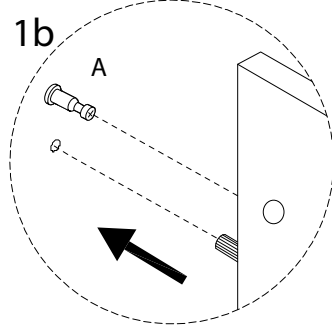
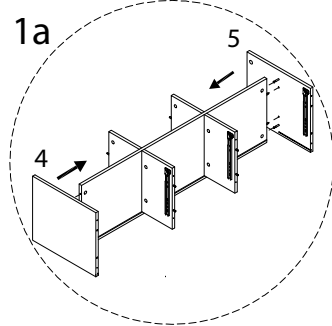
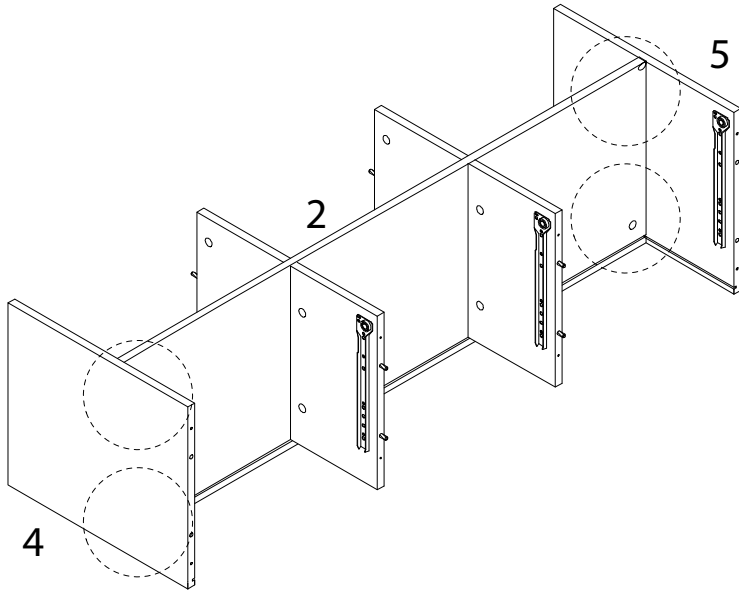
10



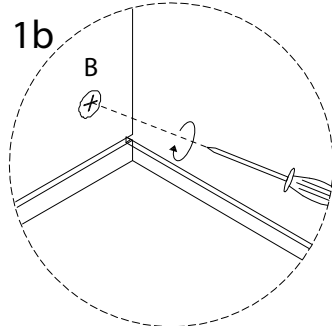
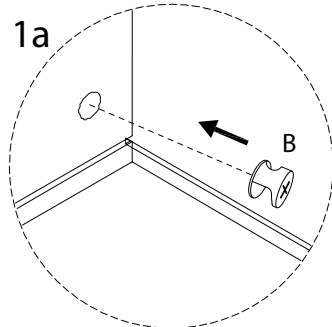
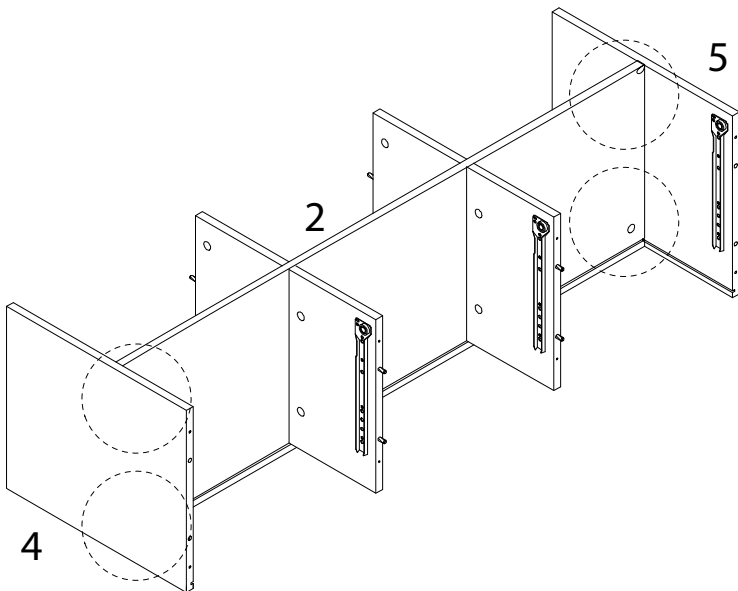
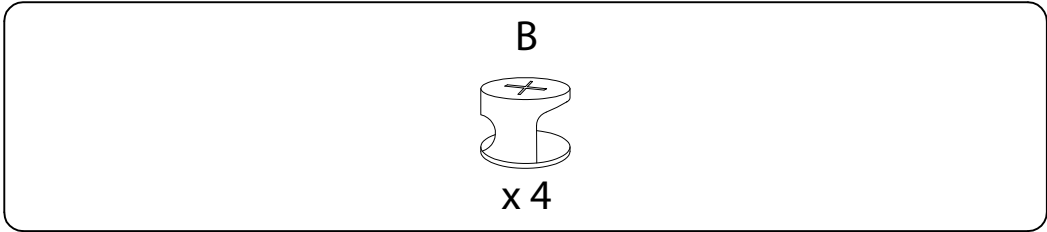
11



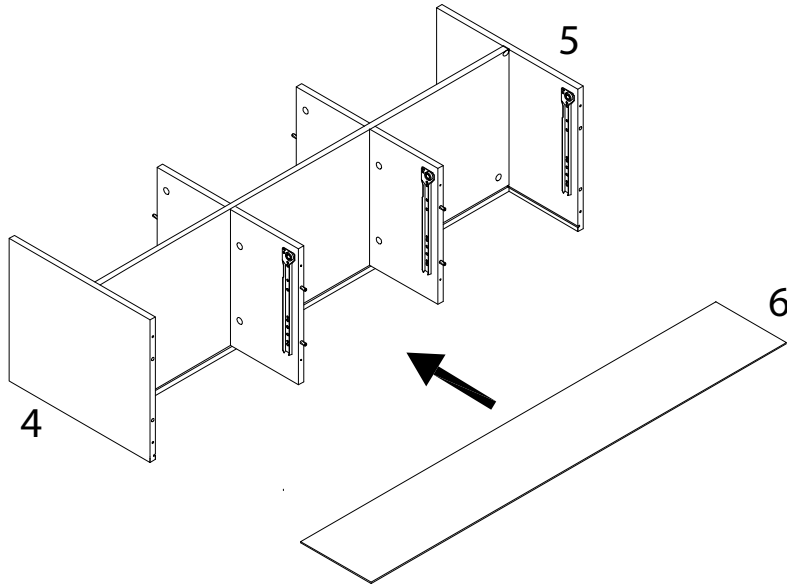
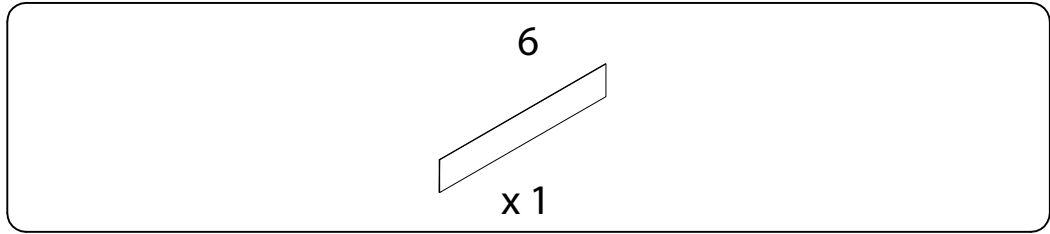
12



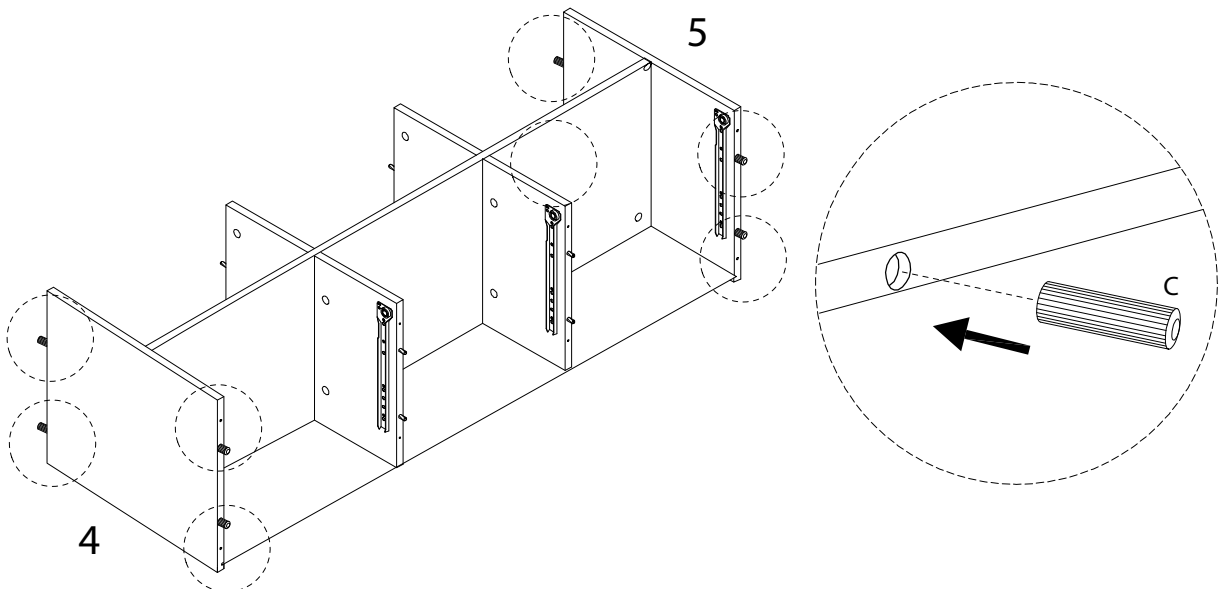
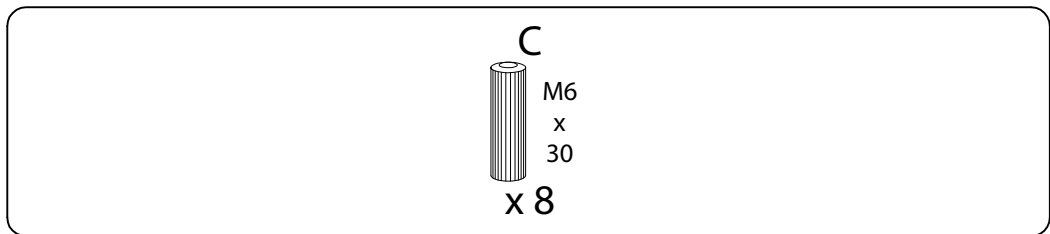
13



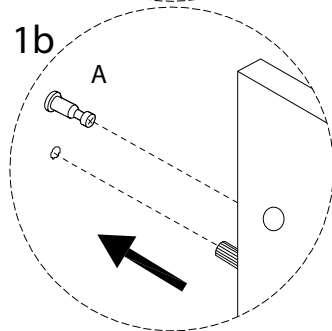
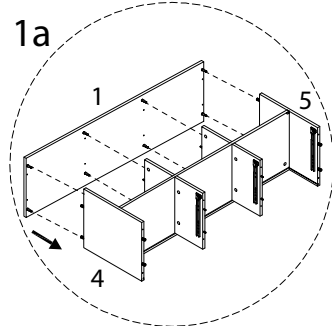
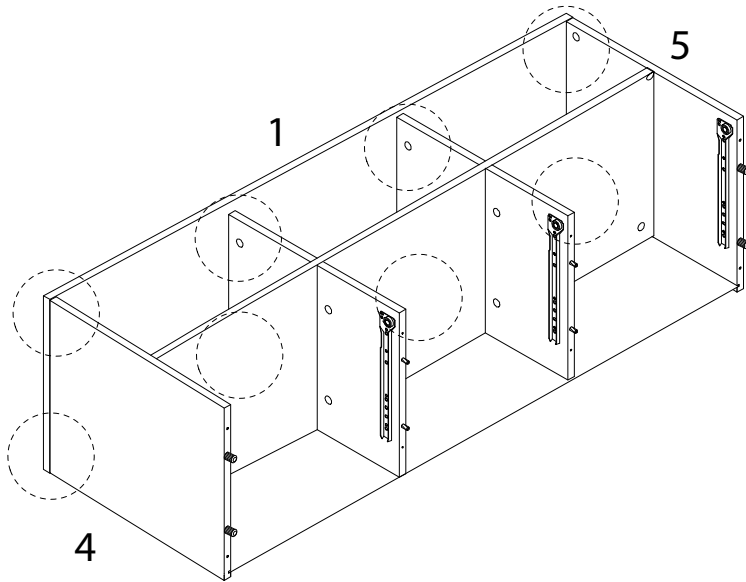
14



15

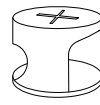


16

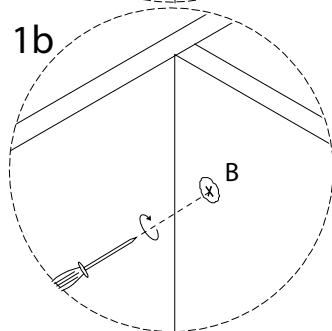
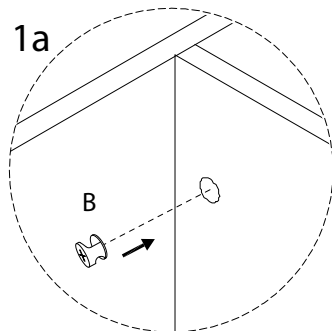
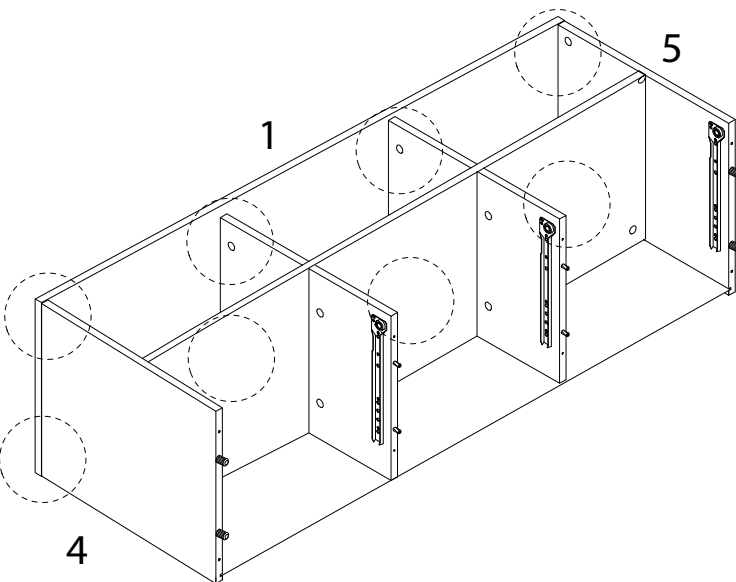


17

B



x 8

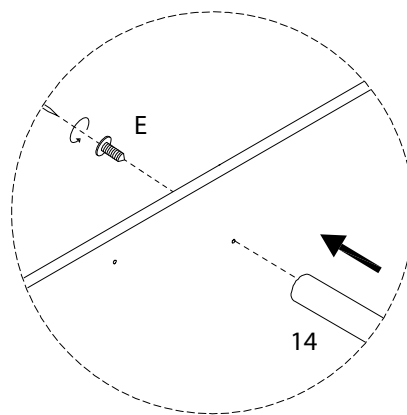
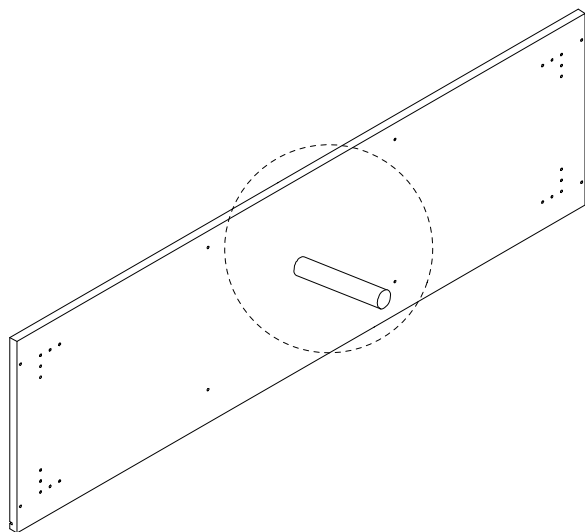


18

E
M4
x
40
x 1

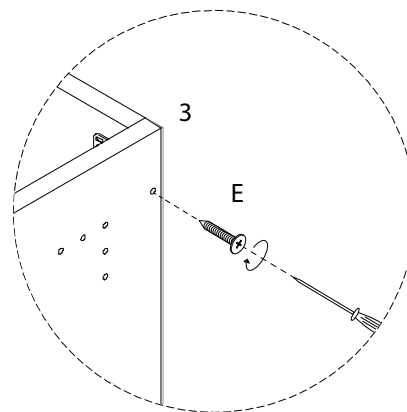
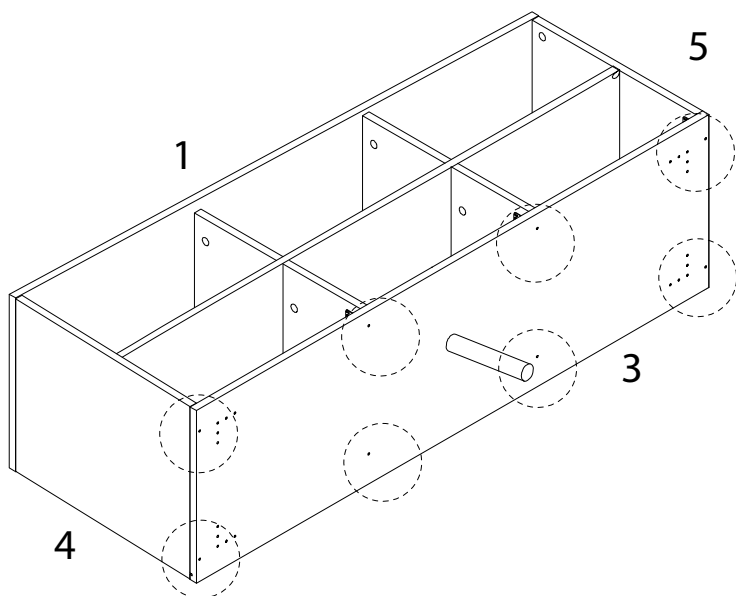
3
x 1

14
x 1



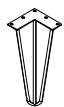
19

E
M4
x
40
x 8



20

15

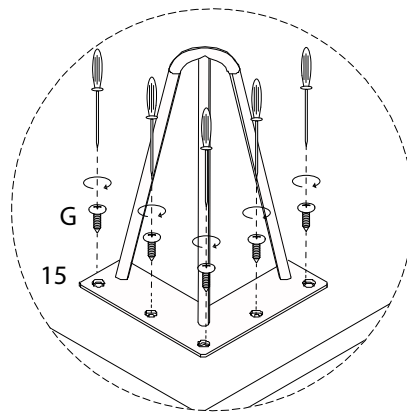
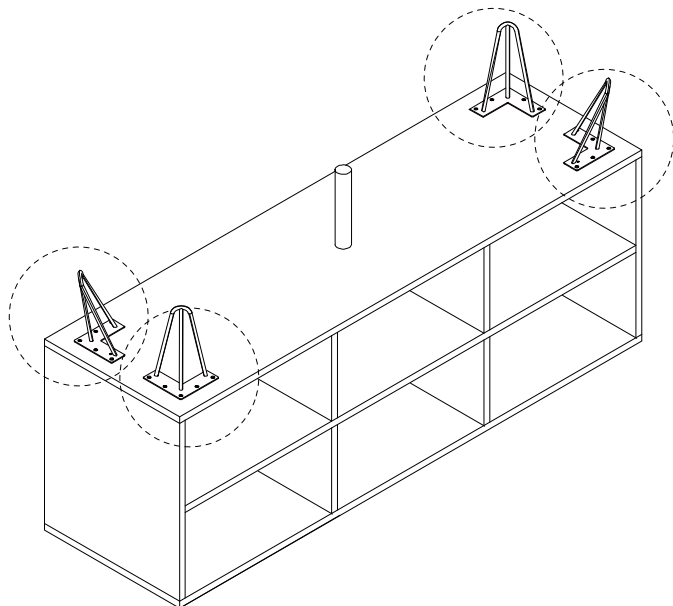


x 4

G

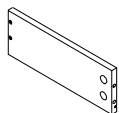


x 20



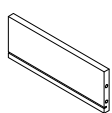
21 x 3

10



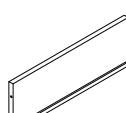
x 1

11



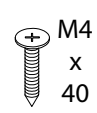
x 1

12

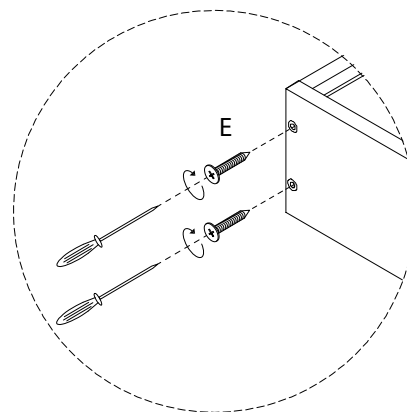
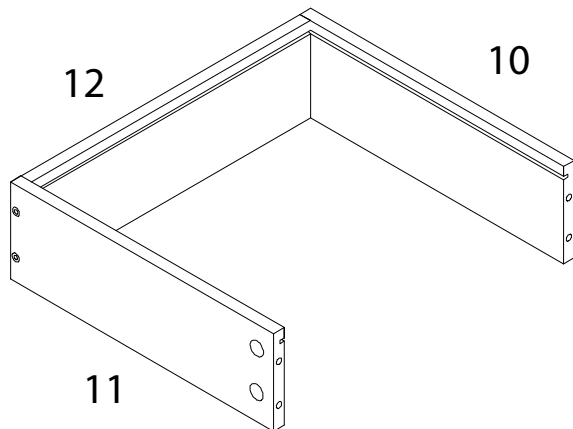


x 1

E

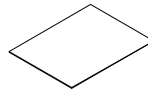


x 4

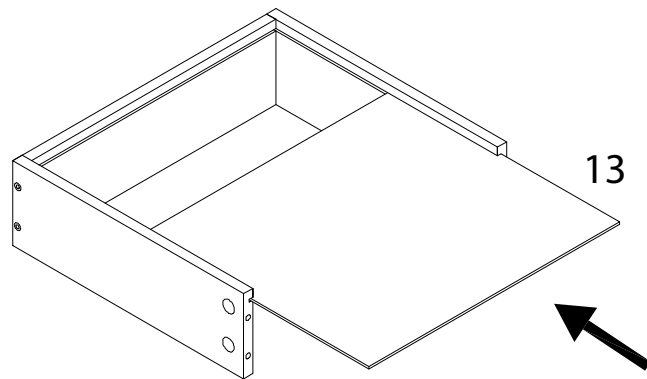


22 x 3

13

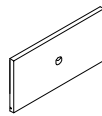


x 1



23 x 3

9

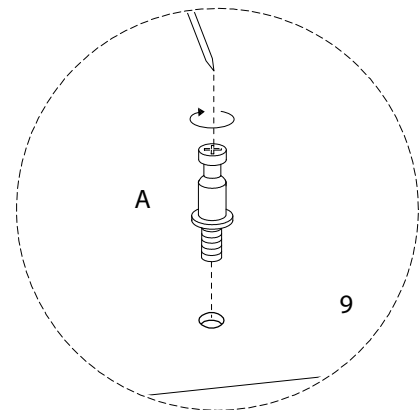
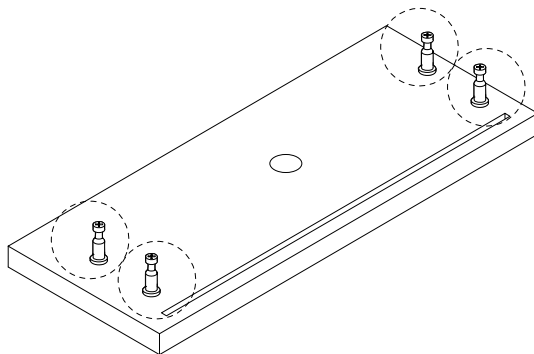


x 1

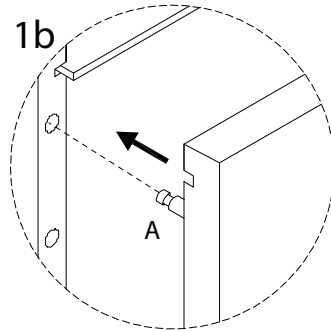
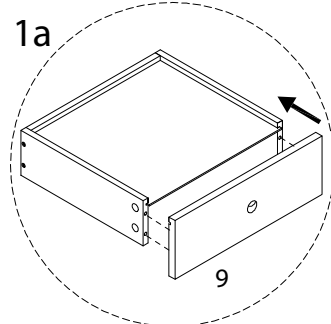
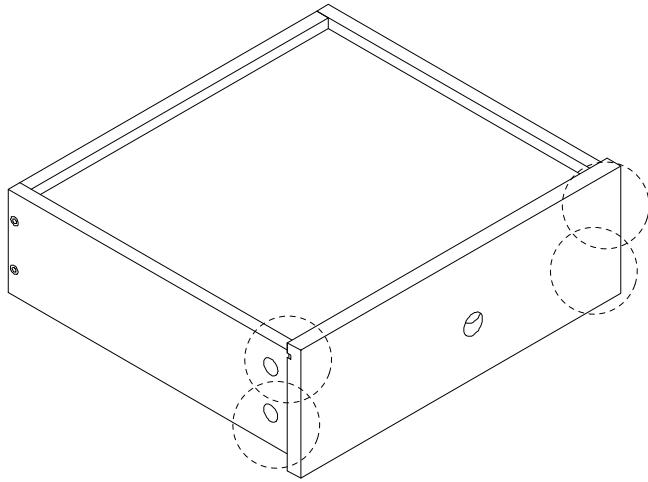
A



x 4



24 x 3

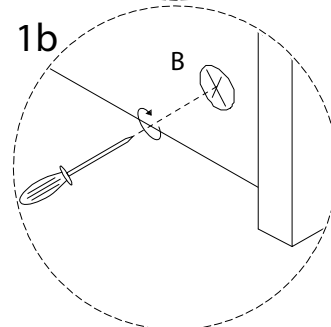
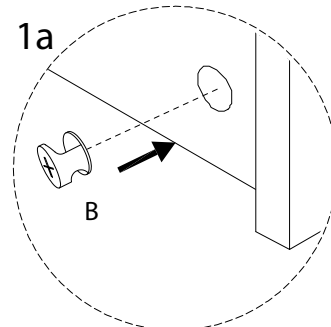
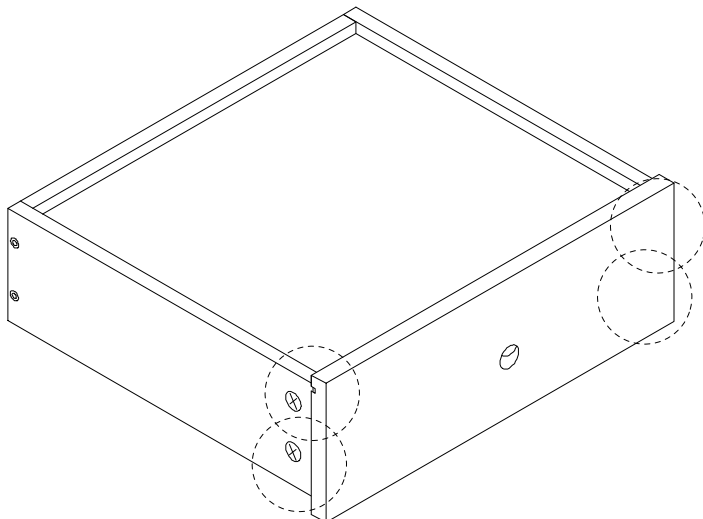


25 x 3

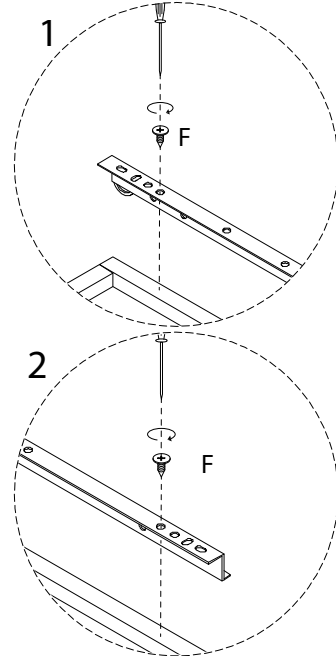
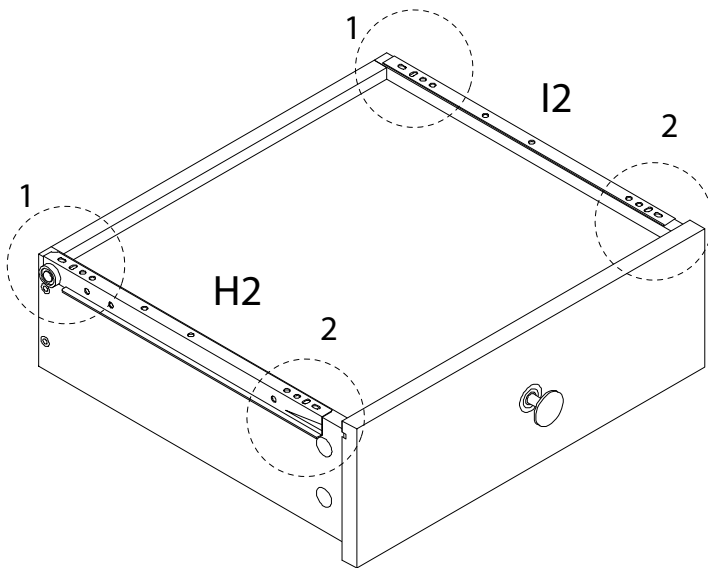
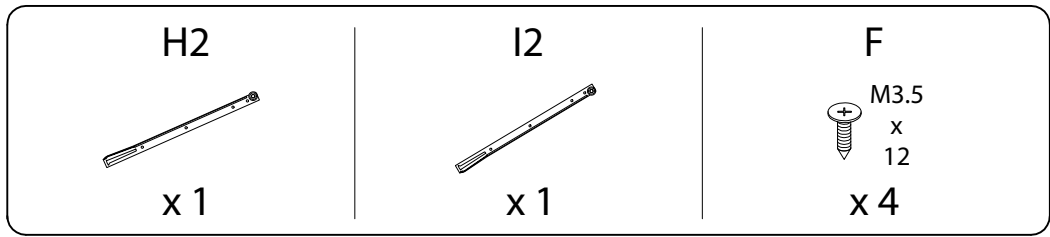
B



x 4



26 x 3



27

