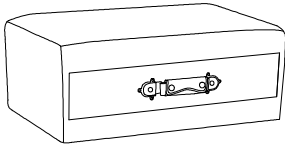


10'



1

A

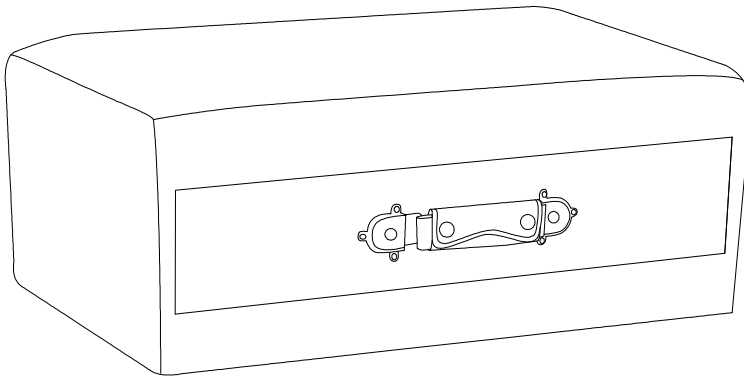


x 1

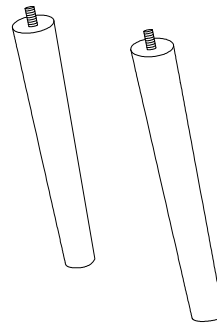
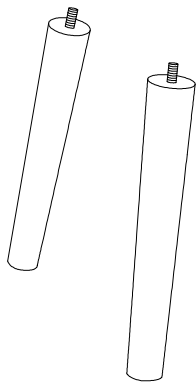
B



x 4



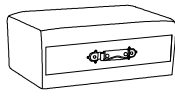
A



B x 4

1

A

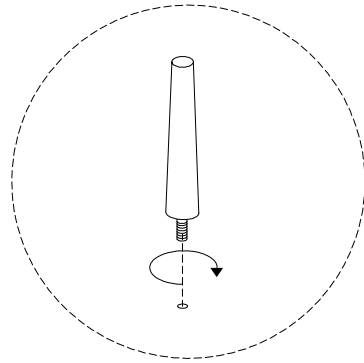
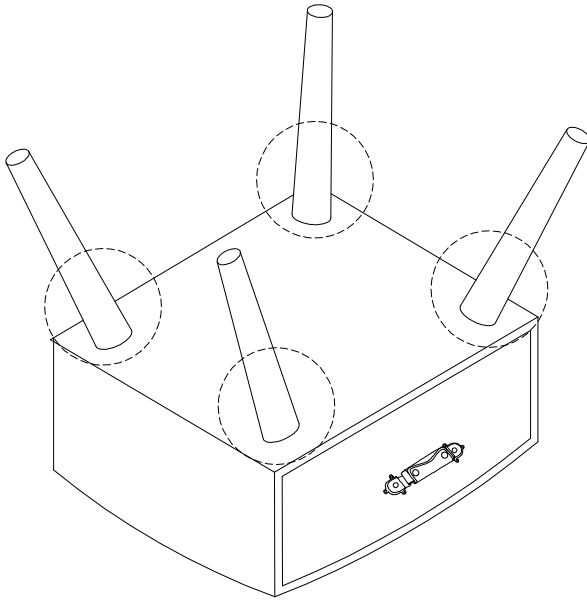


x 1

B



x 4



!

