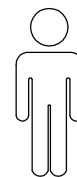
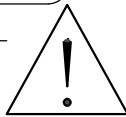
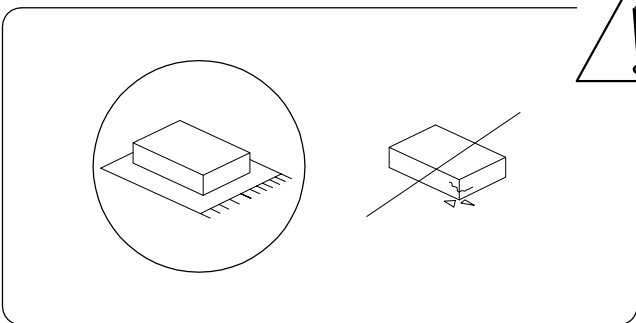
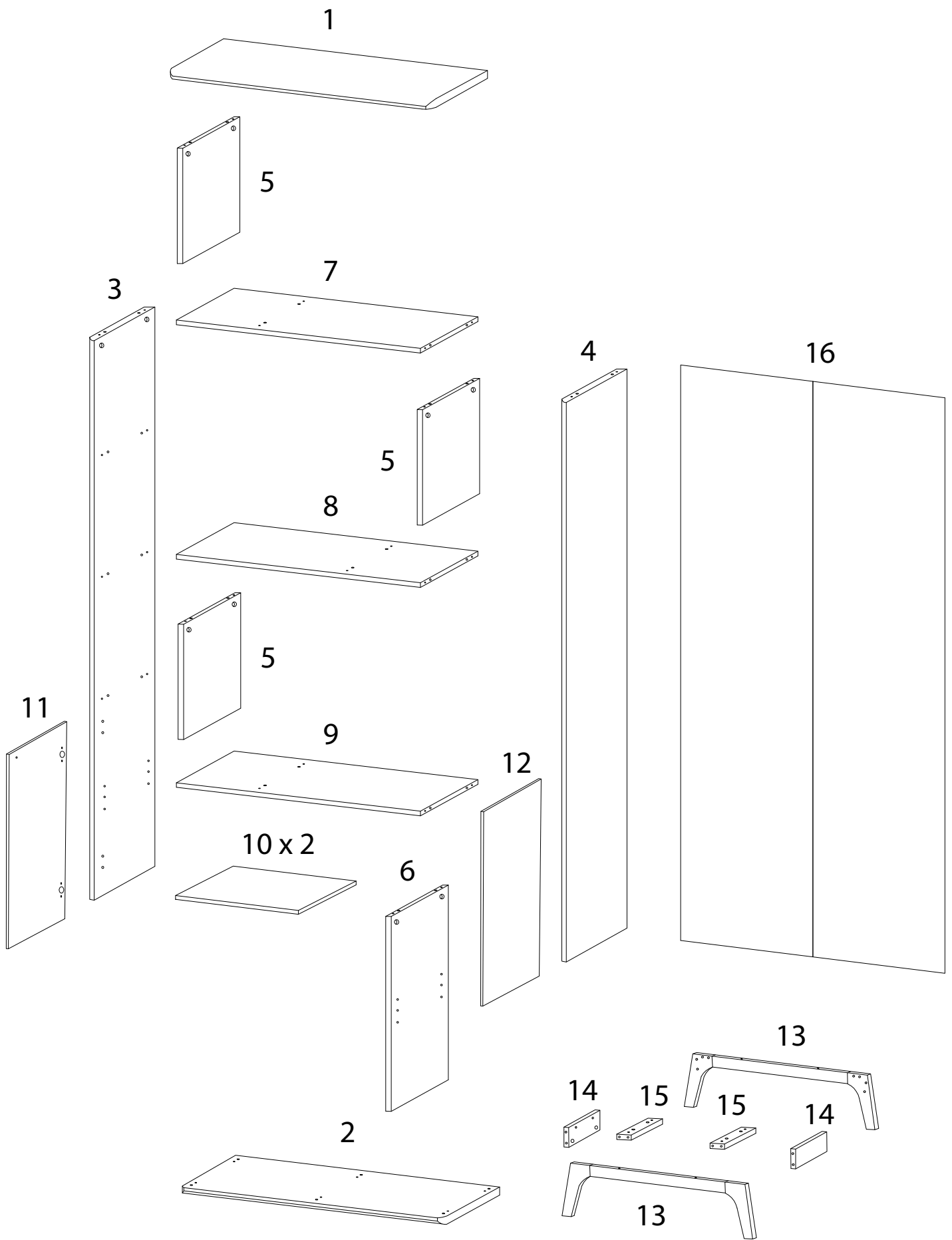


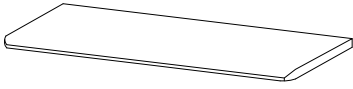
60'



2



1



x 1

2



x 1

3



x 1

4



x 1

5



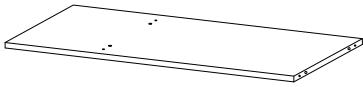
x 3

6



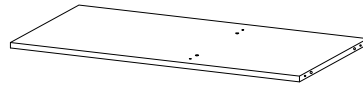
x 1

7



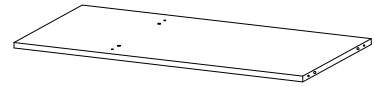
x 1

8



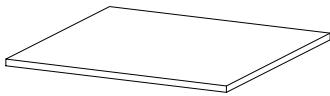
x 1

9



x 1

10



x 2

11



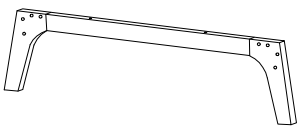
x 1

12



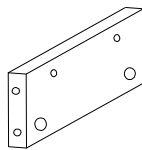
x 1

13



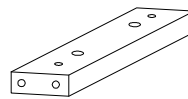
x 2

14



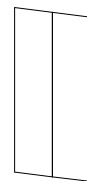
x 2

15



x 2

16



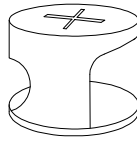
x 1

A



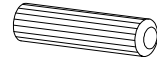
x 28

B



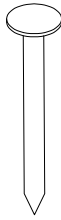
x 28

C



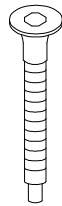
x 60

D



x 20

E



7  
x  
50

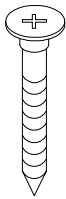
x 12

F



x 1

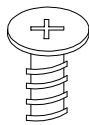
G



12  
x  
35

x 4

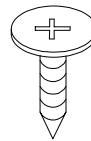
H



6.5  
x  
10.5

x 8

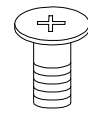
I



3.5  
x  
13

x 12

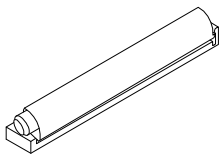
J



12  
x  
10

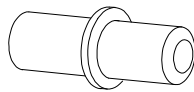
x 2

K



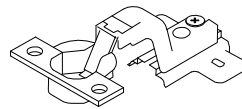
x 2

L



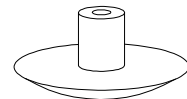
x 8

M



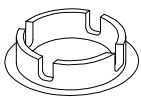
x 4

N



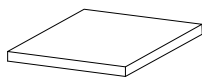
x 8

O



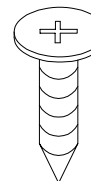
x 4

P



x 4

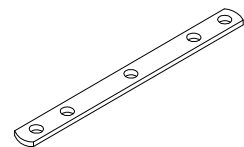
Q



3.5  
x  
15.5

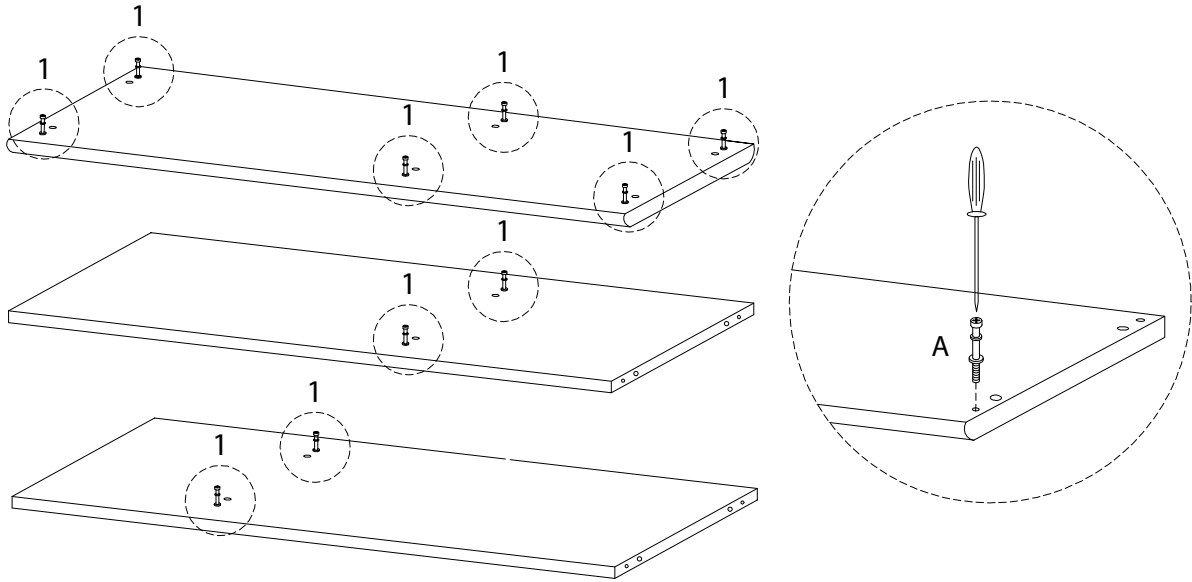
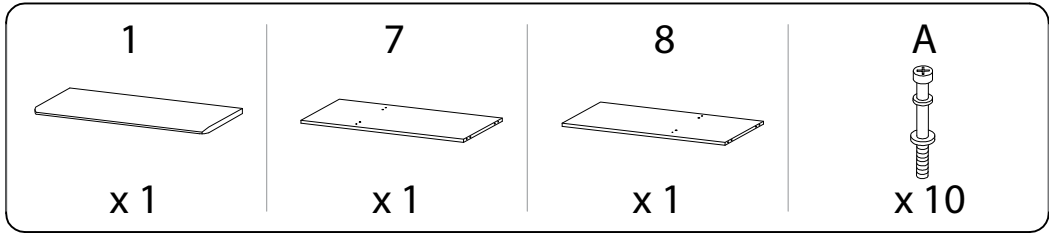
x 4

R

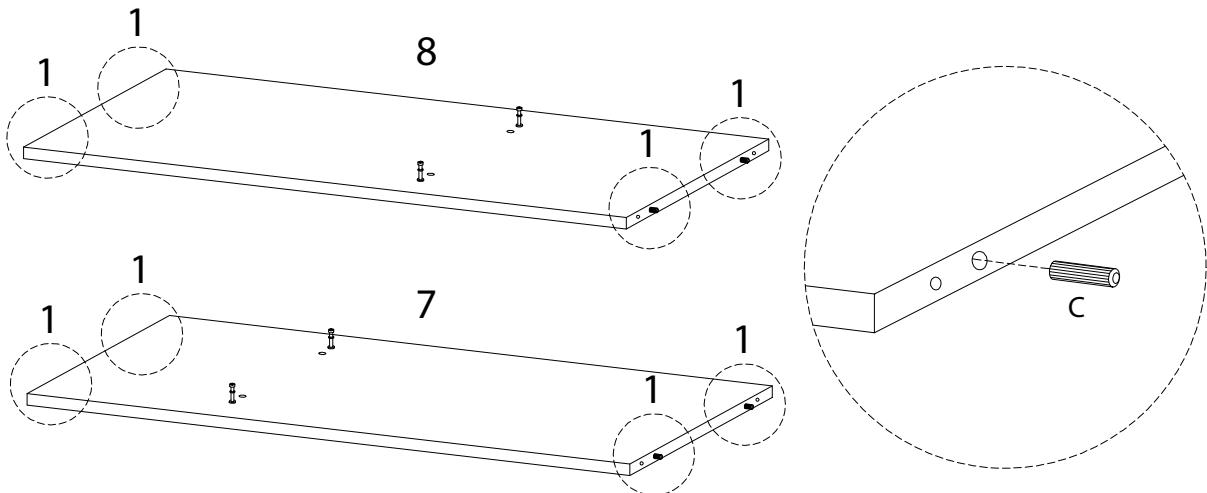
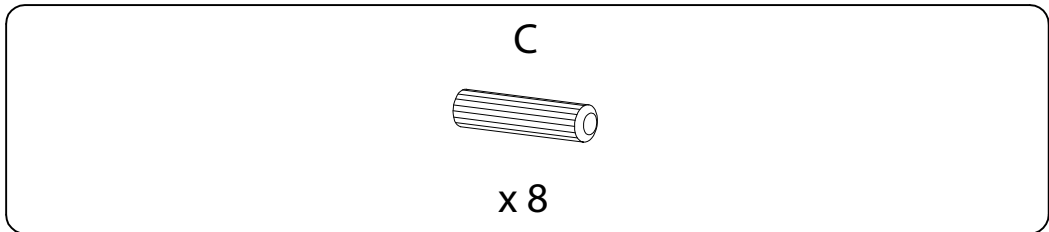


x 2

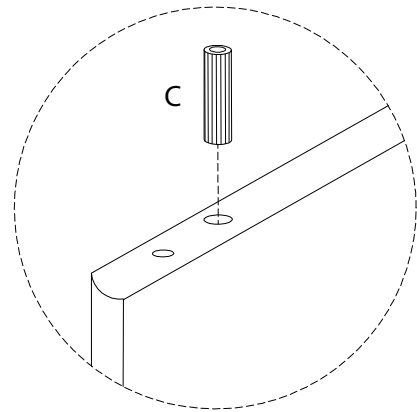
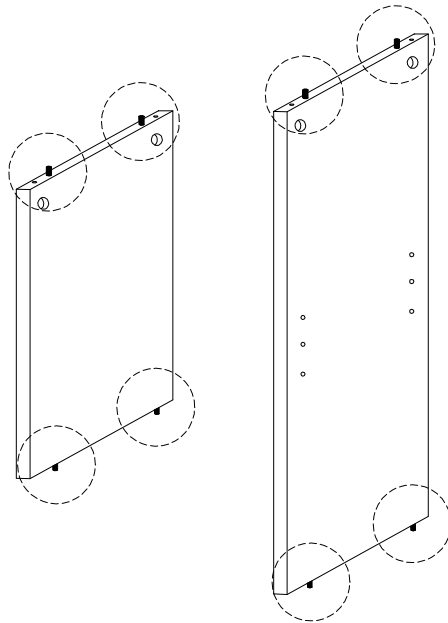
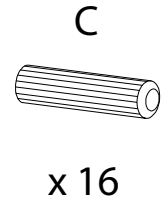
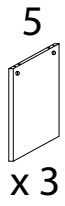
1



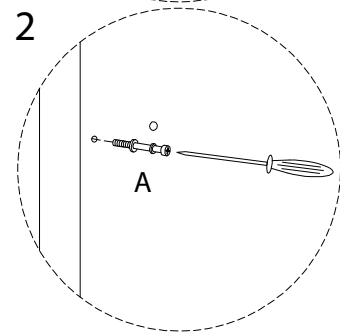
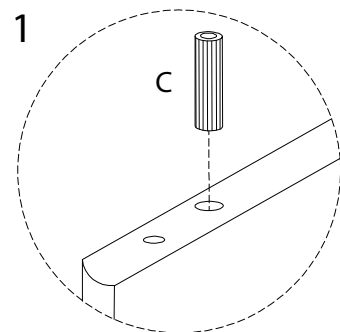
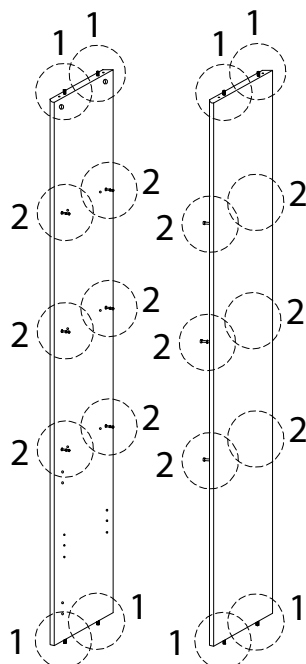
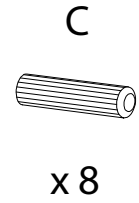
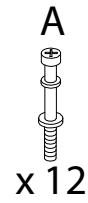
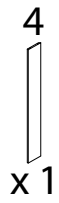
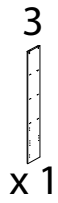
2



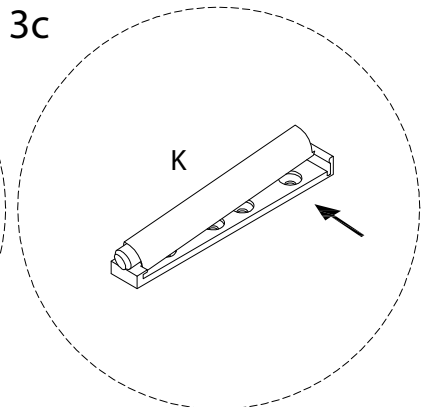
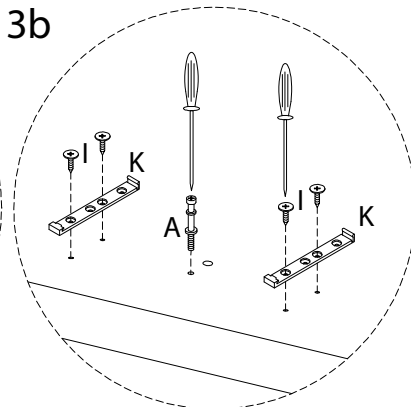
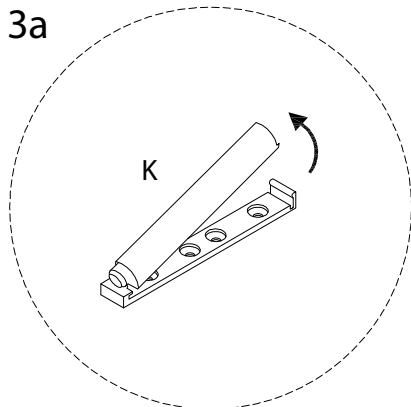
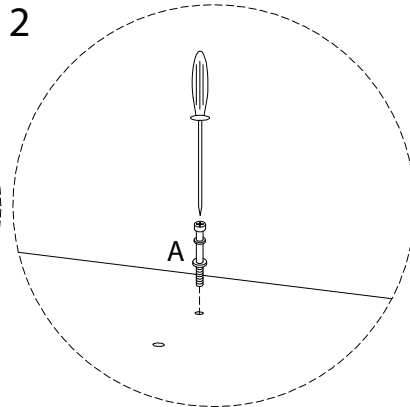
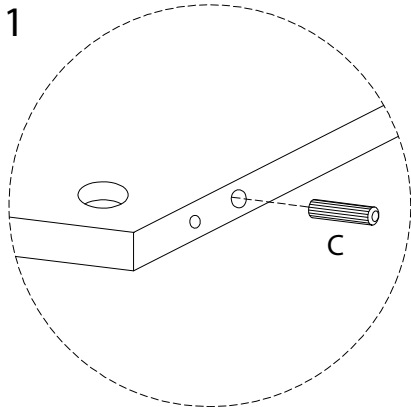
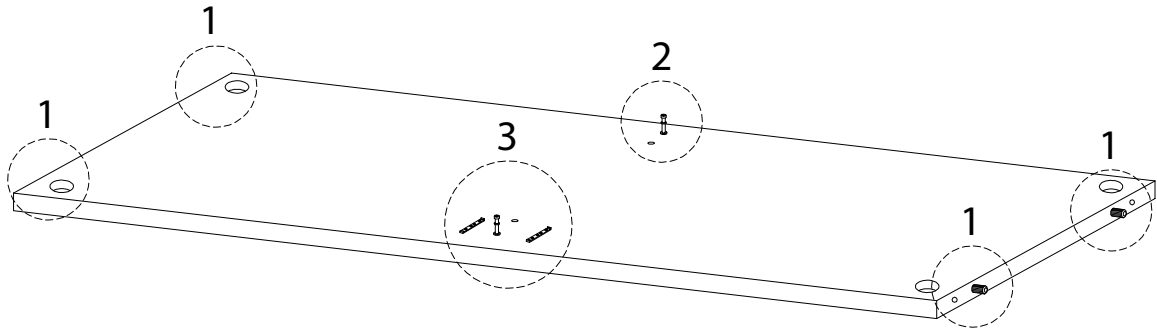
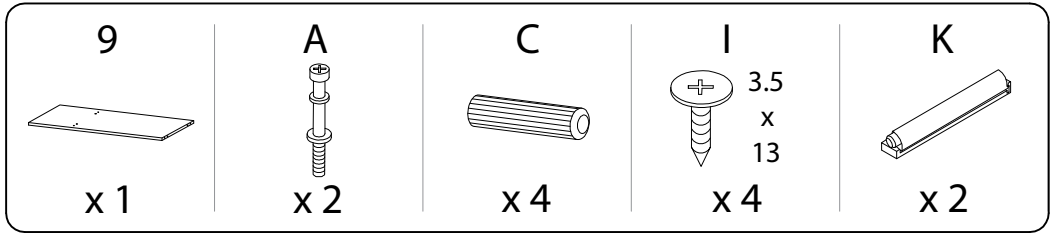
3



4



5

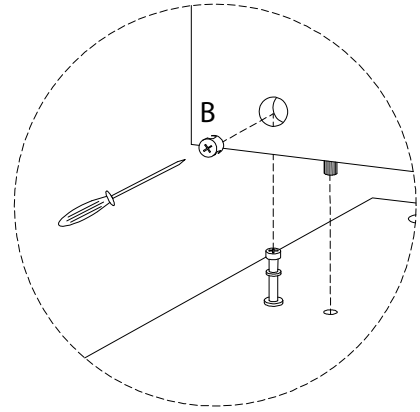
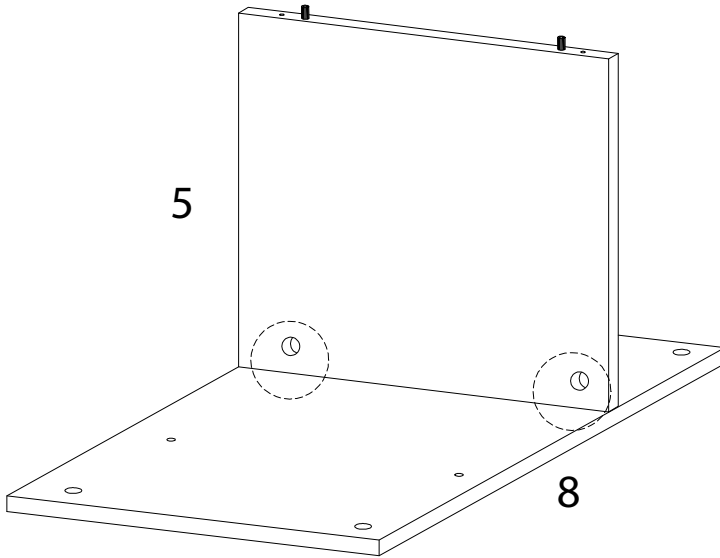


6

B

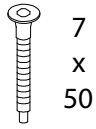


x 2



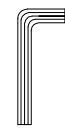
7

E

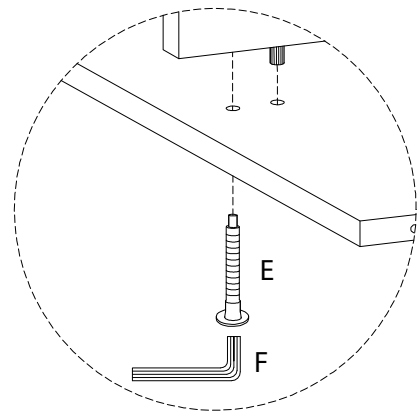
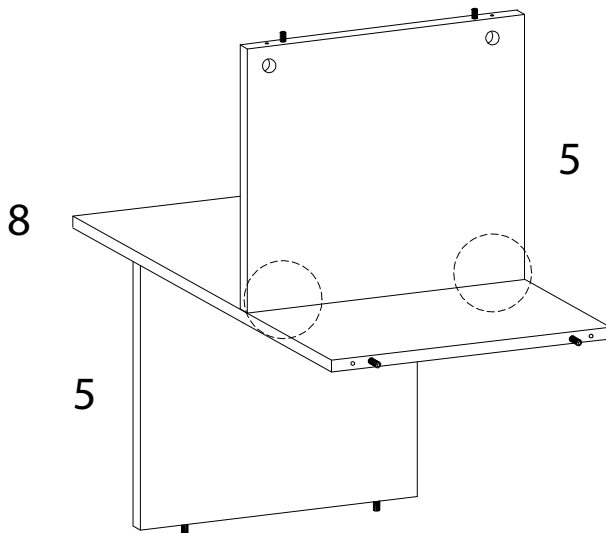


x 2

F

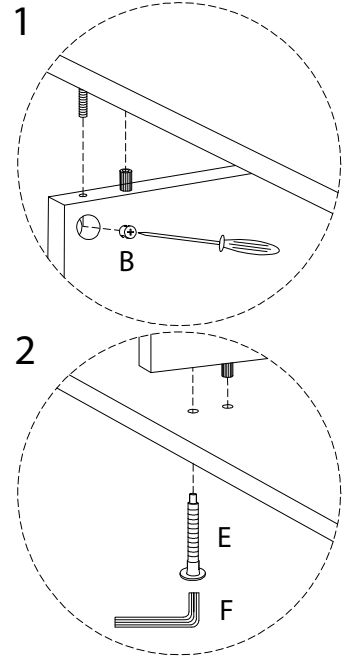
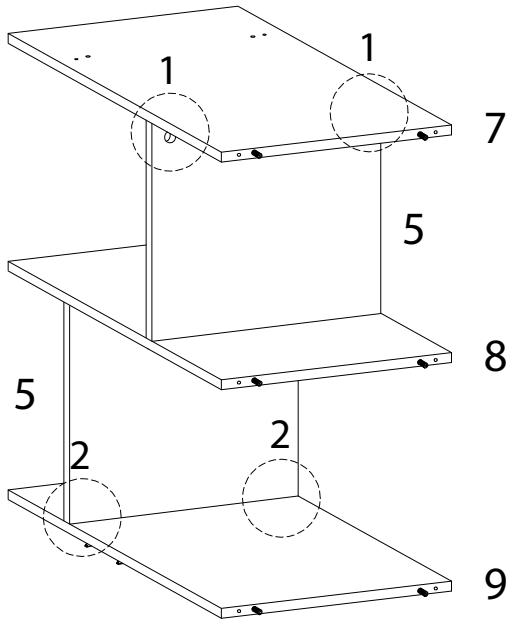
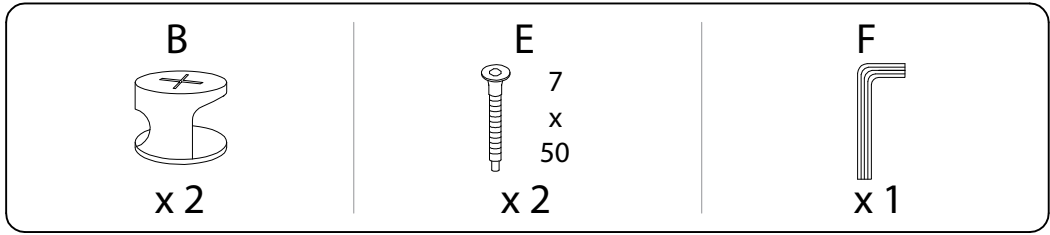


x 1

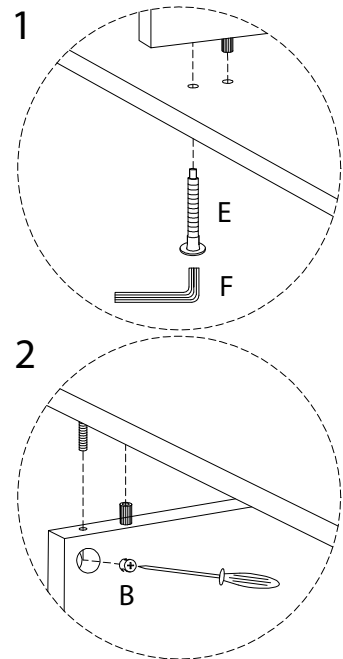
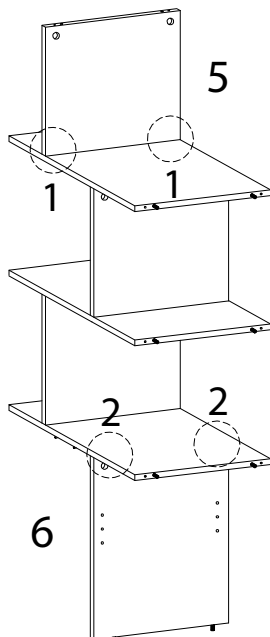
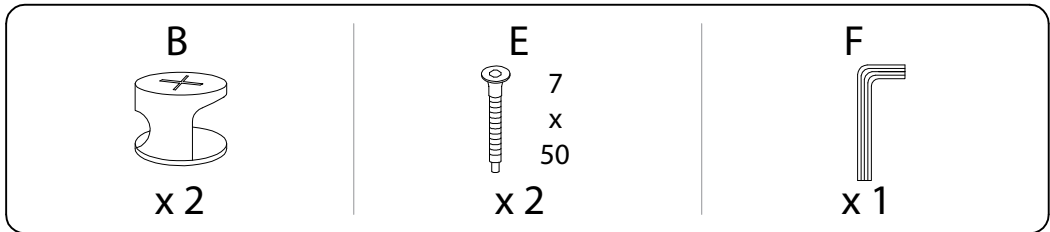




8

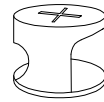


9

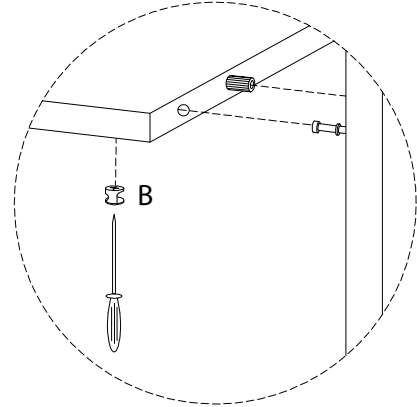
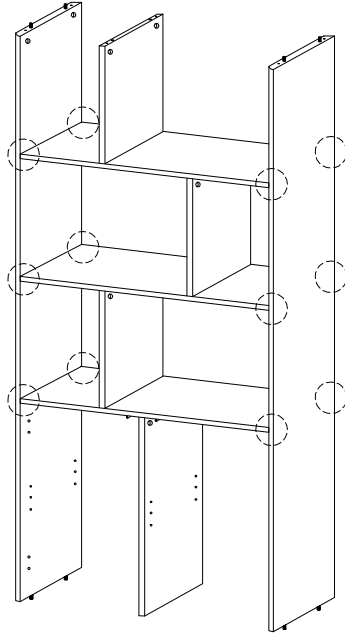


10

B



x 12



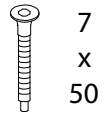
11

2



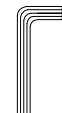
x 1

E

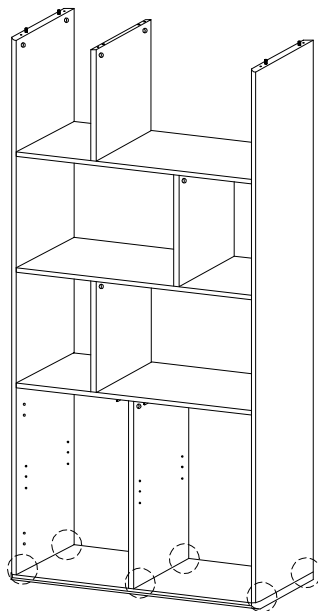


7  
x  
50  
x 6

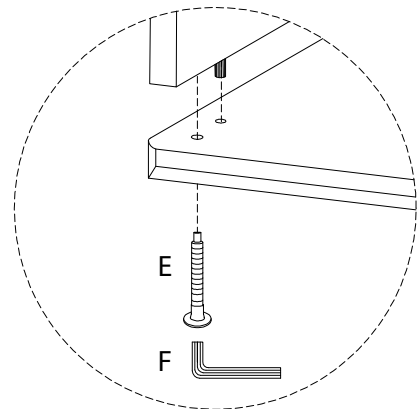
F



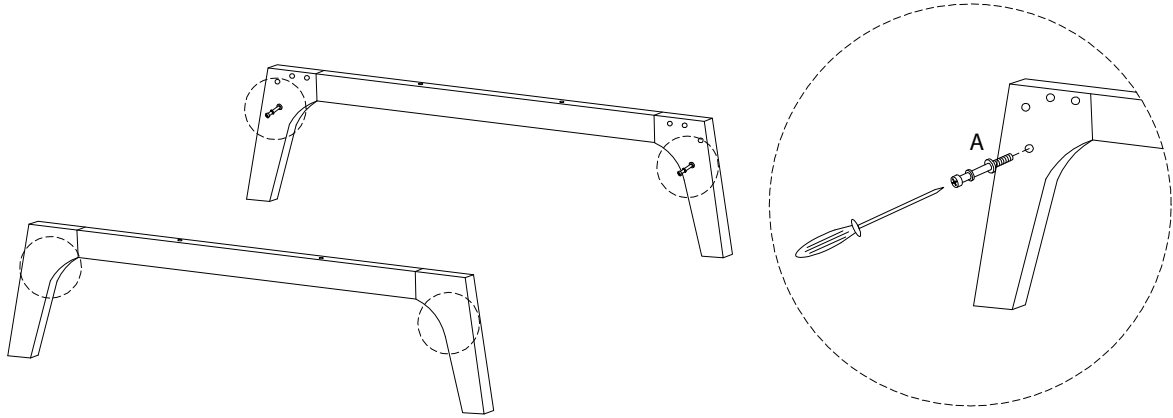
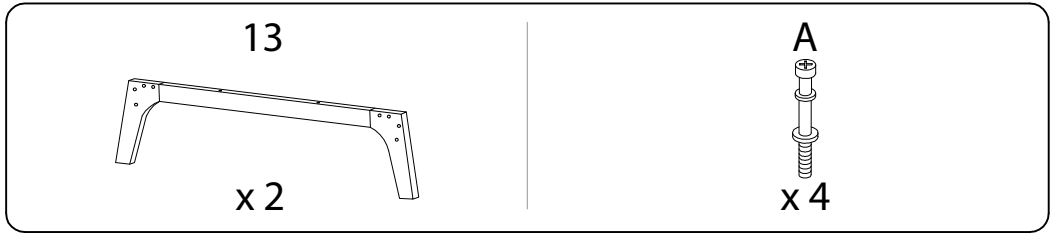
x 1



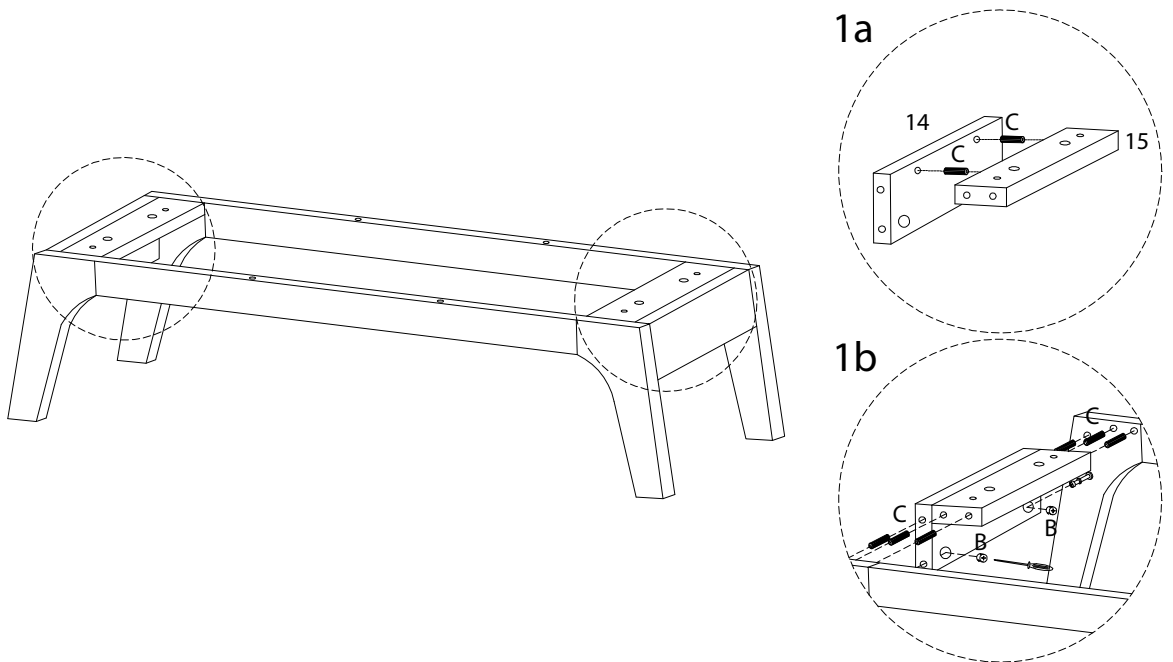
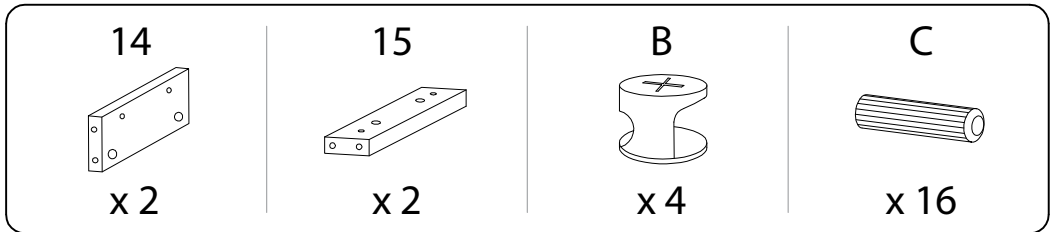
2



12

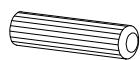


13

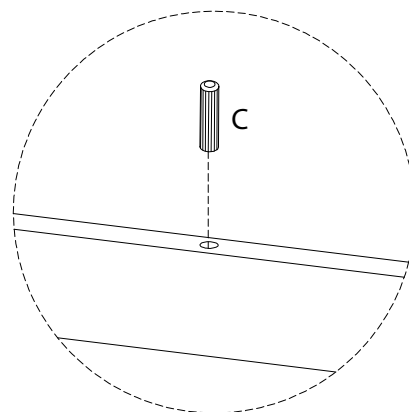
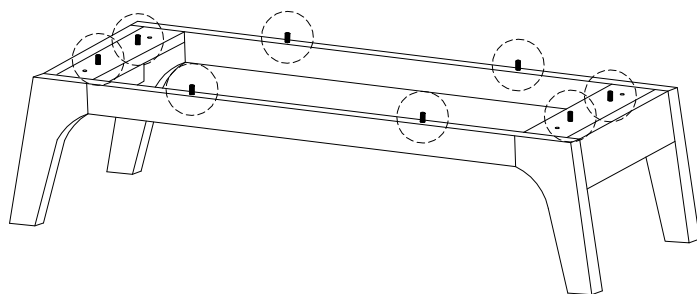


14

C

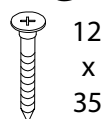


x8



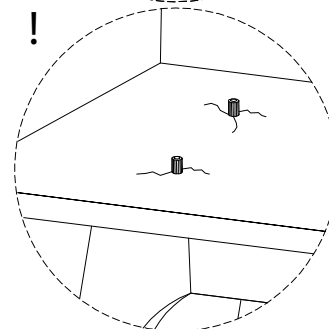
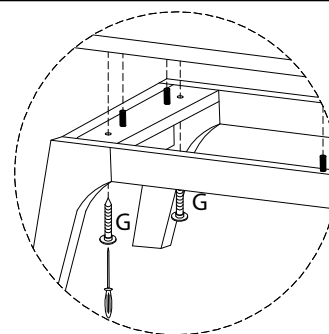
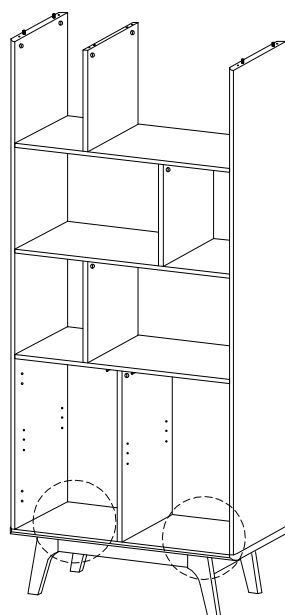
15

G



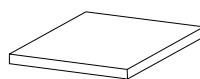
12  
x  
35

x4

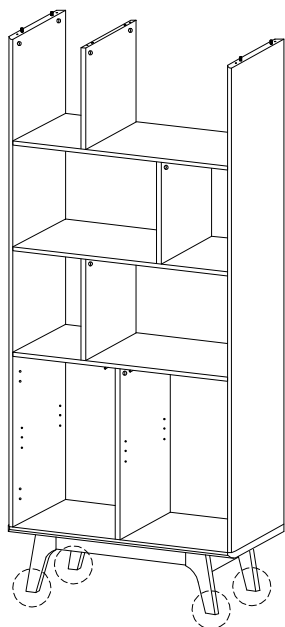


16

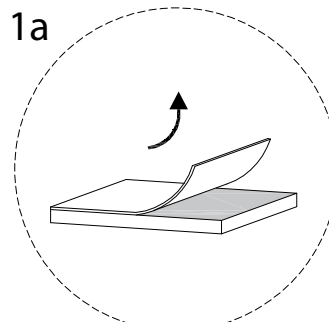
P



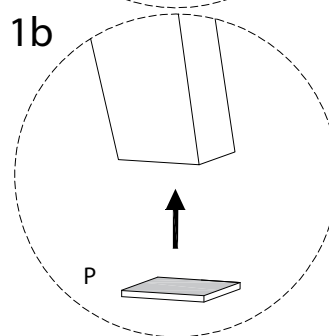
x4



1a



1b



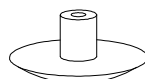
17

B



x6

N

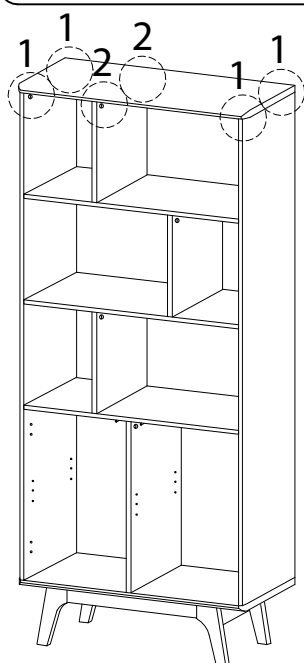


x2

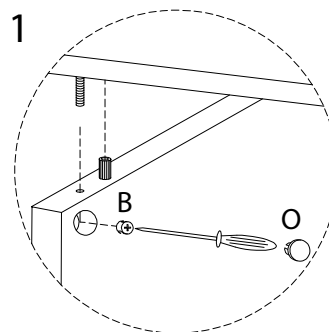
O



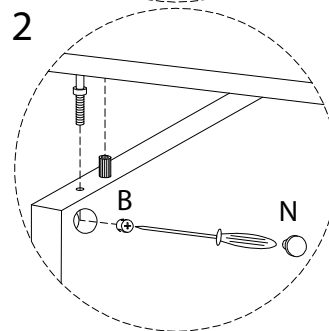
x4



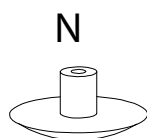
1



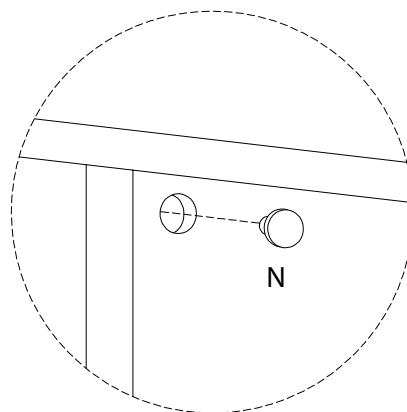
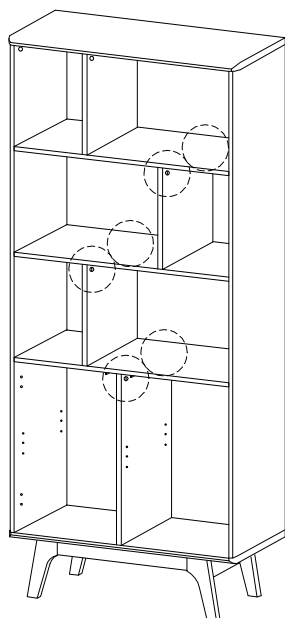
2



18



x6



19

10

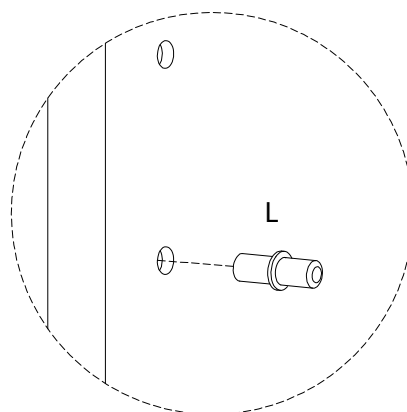
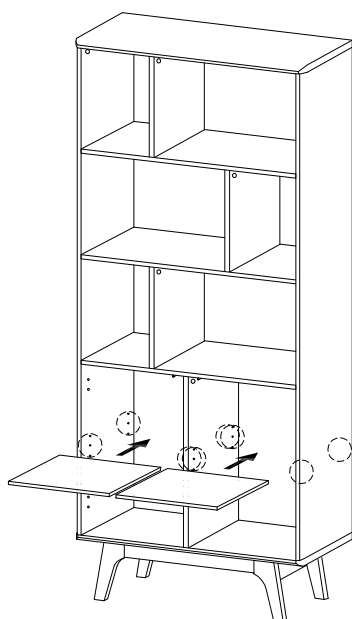


x2

L



x8



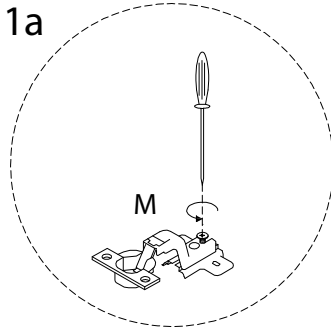
20

M

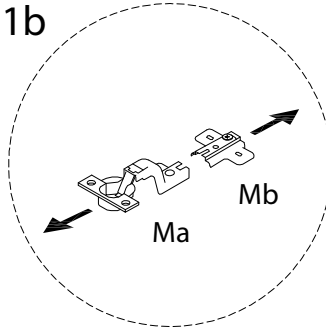


x 4

1a

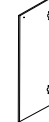


1b



21

11



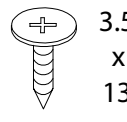
x 1

12



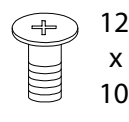
x 1

I

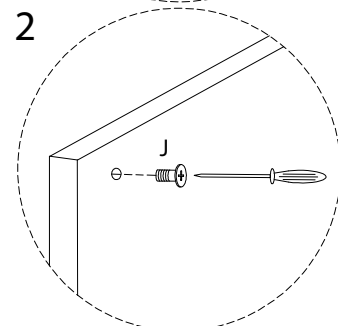
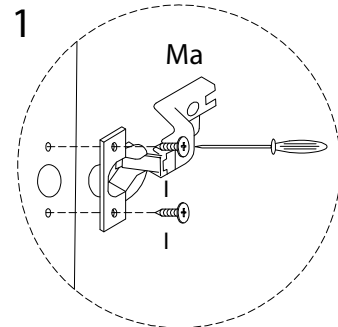
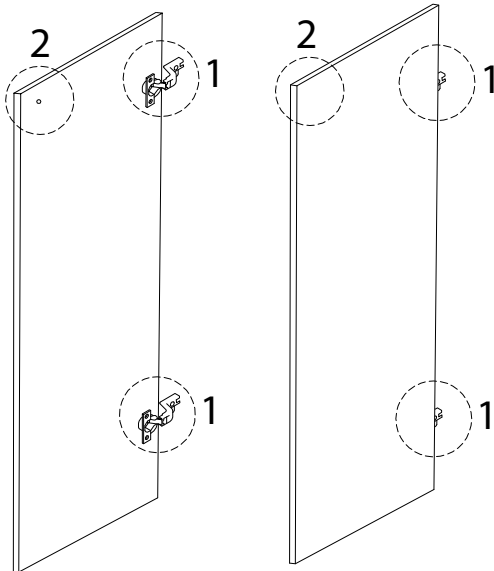


x 8

J

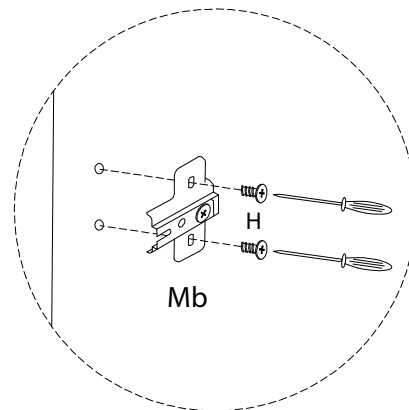
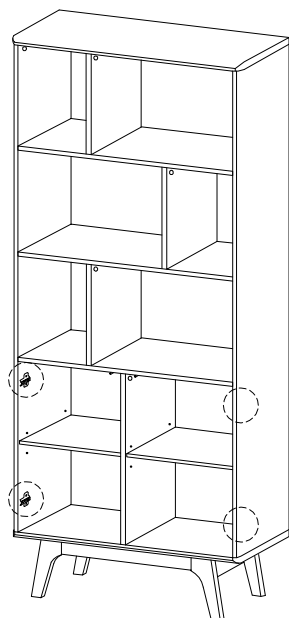


x 2

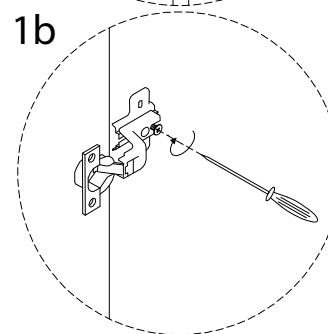
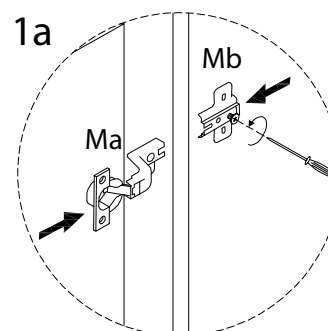
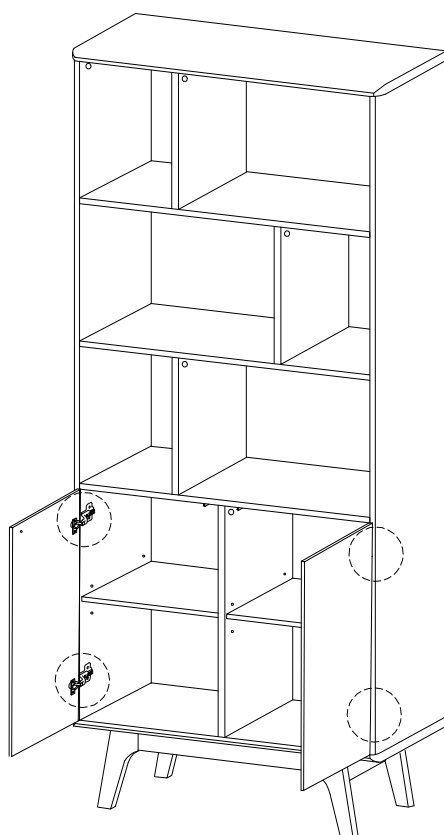


22

H  
6.5  
x  
10.5  
x 8



23

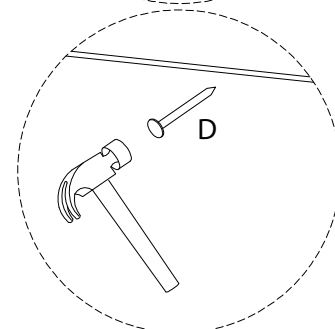
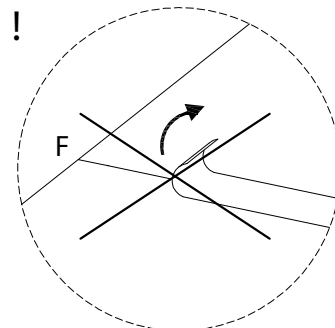
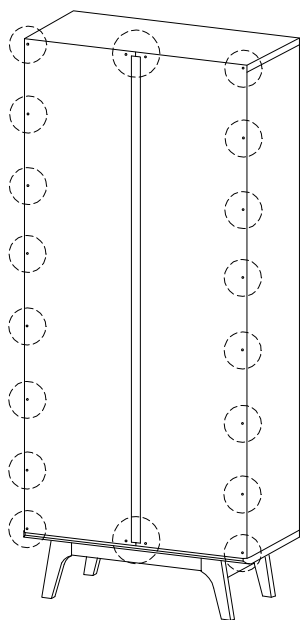




24

16  
x 1

D  
x 20



25

Q  
3.5  
x  
15.5  
x 4

R  
x 2

