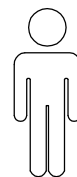
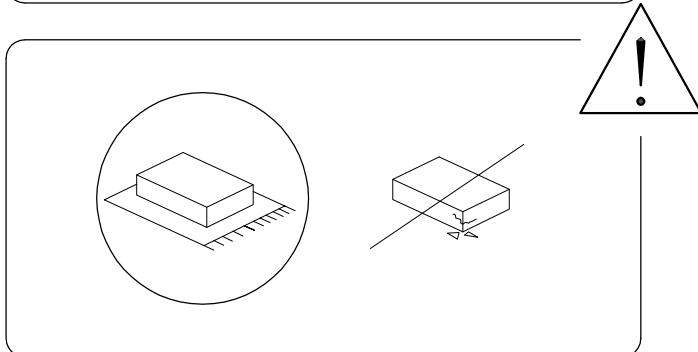
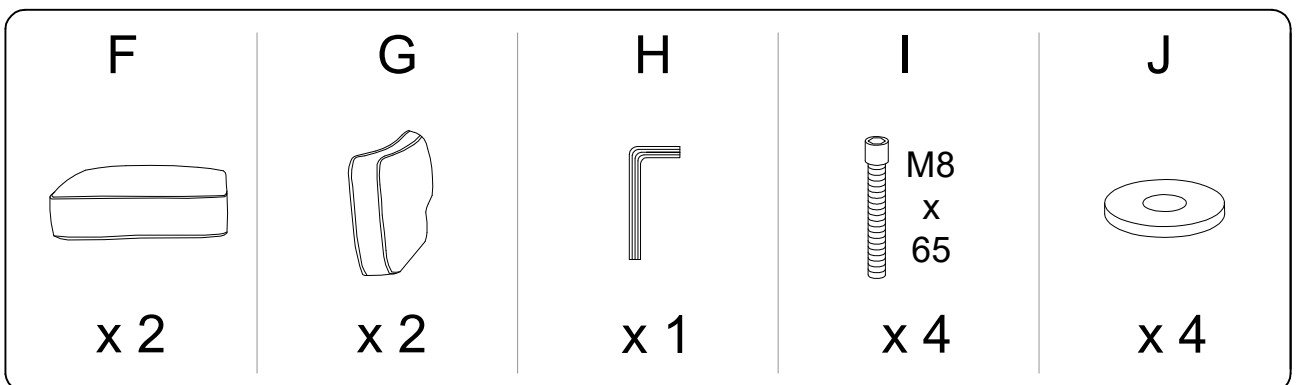
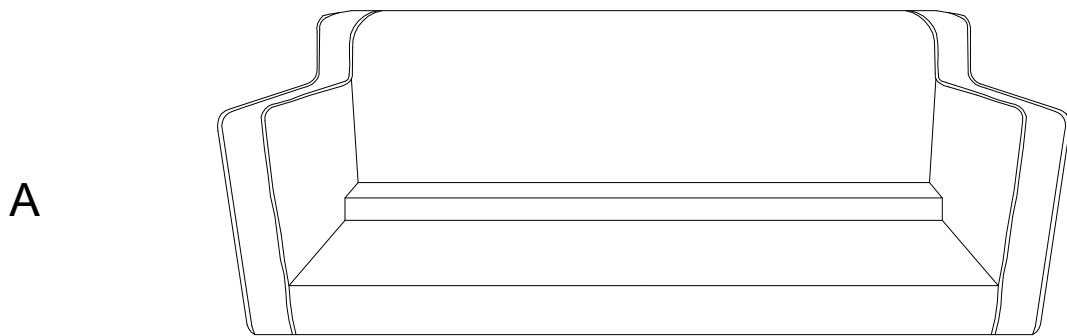
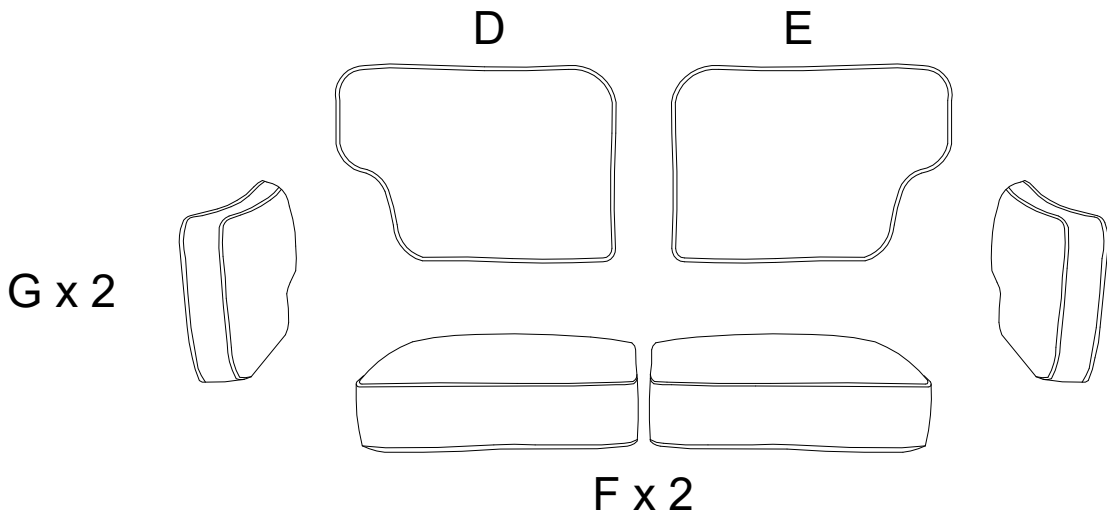
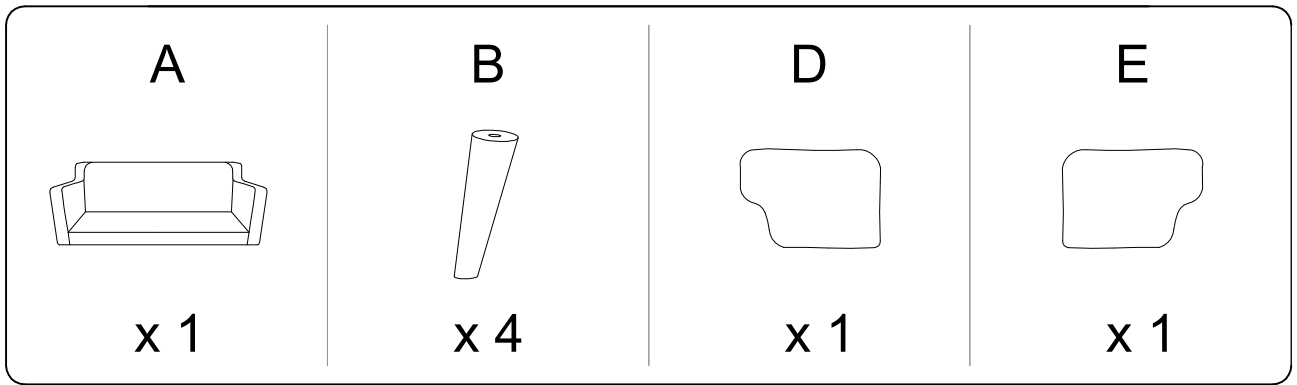


30

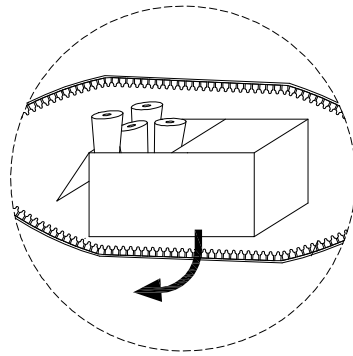
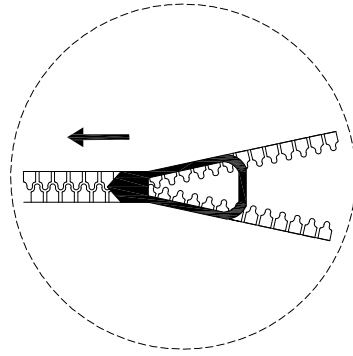
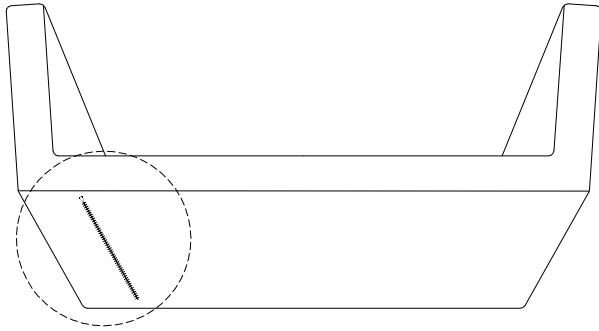


1

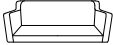

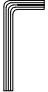


1/4

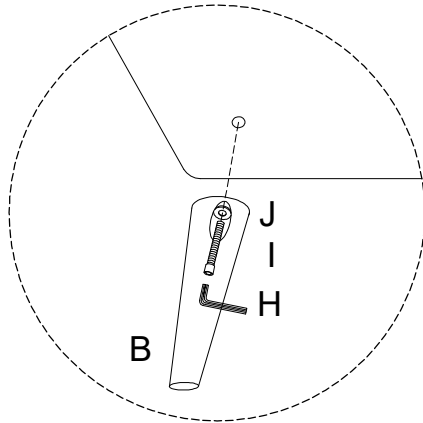
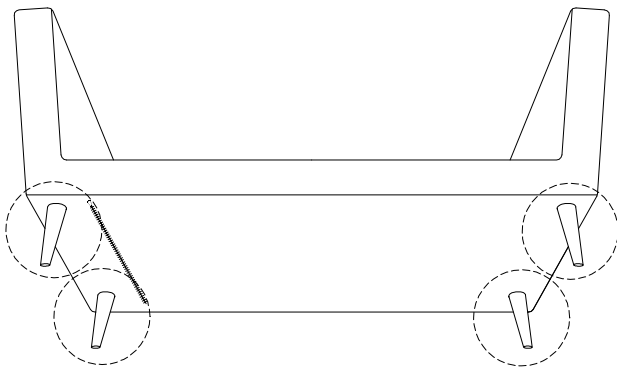


!



1

A	B	H	I	J
			 M8 x 65	
x 1	x 4	x 1	x 4	x 4



2

